

PRODUCT INFORMATION PACKET

Model No: 184TTFC6505

Catalog No: E655A

XRI®-SD Severe Duty Motor, 5 HP, 3 Ph, 60 Hz, 575 V, 3600 RPM, 184T Frame, TEFC



Regal and Marathon are trademarks of Regal Rexnord Corporation or one of its affiliated companies.
©2022 Regal Rexnord Corporation, All Rights Reserved. MC017097E



Nameplate Specifications

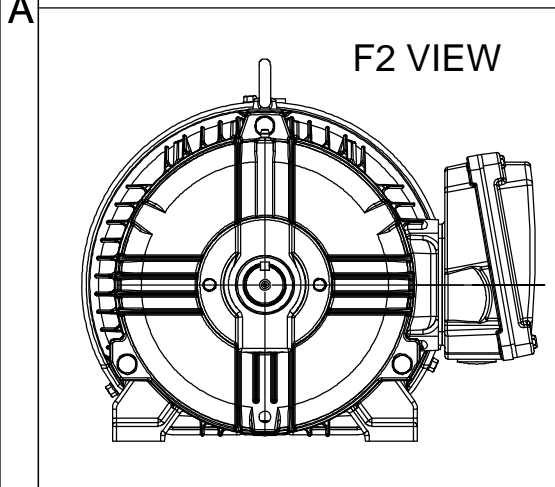
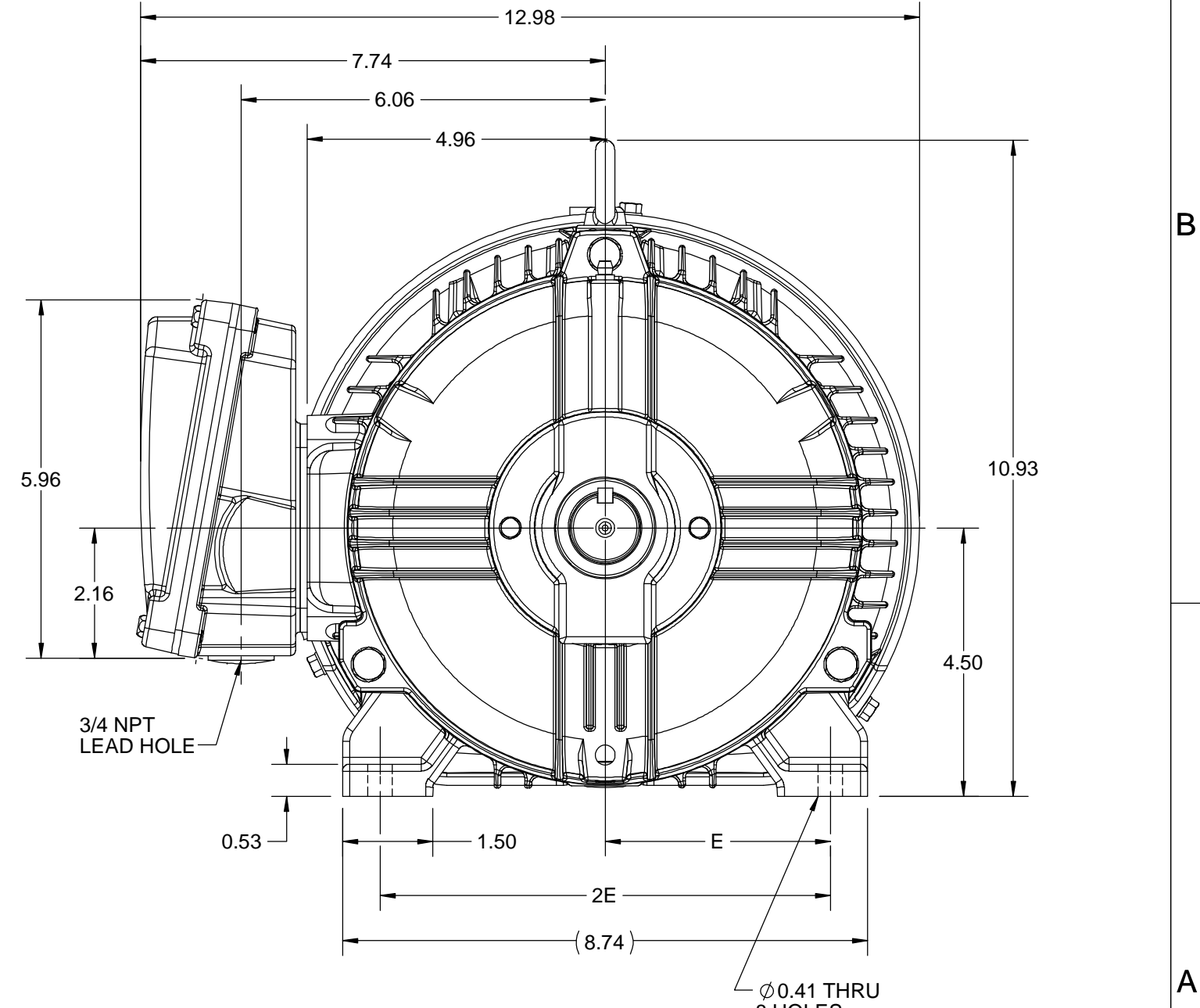
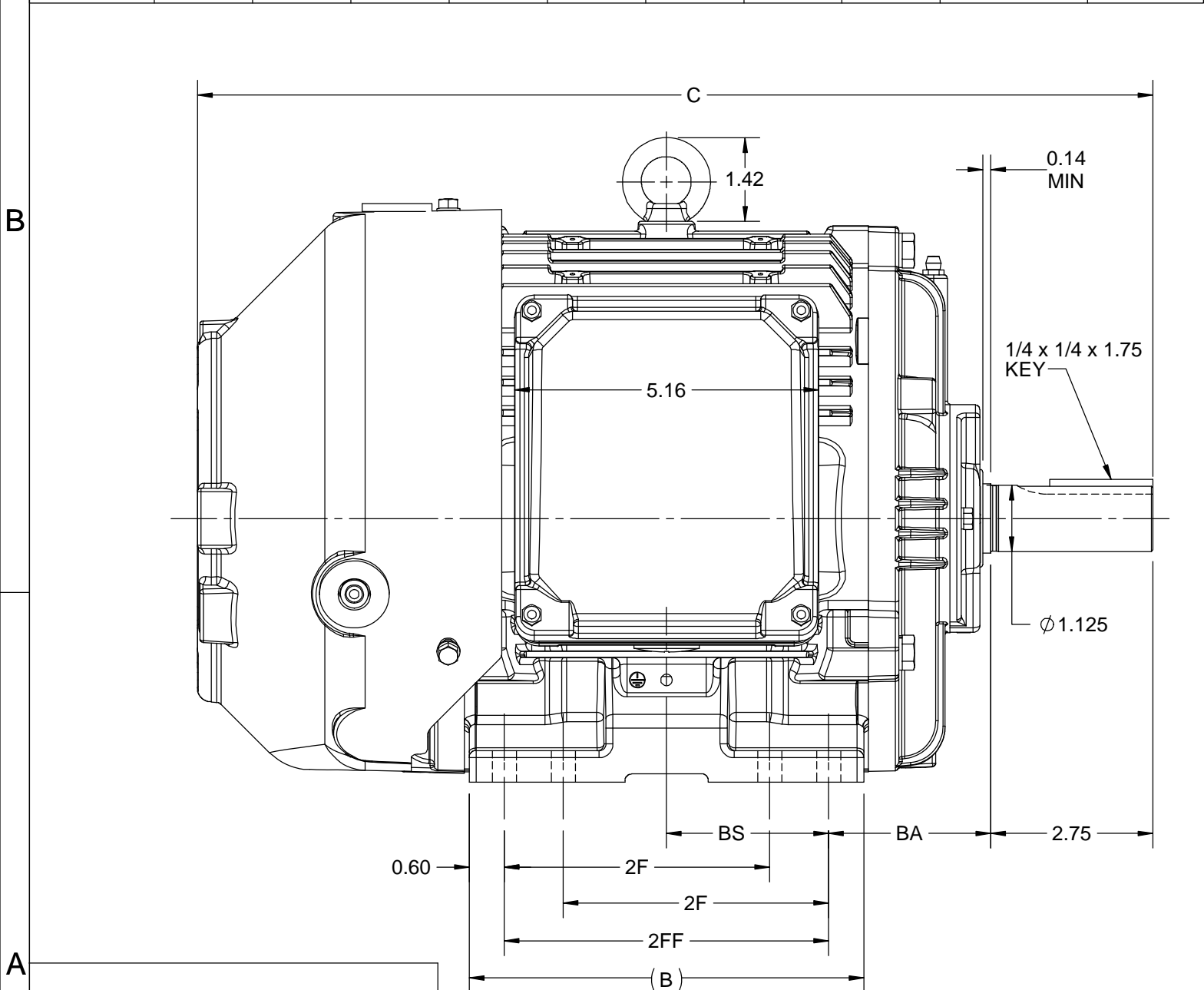
| | | | |
|------------------------|-----------------------|----------------------------|------------------------------------|
| Output HP | 5 Hp | Output KW | 3.7 kW |
| Frequency | 60 Hz | Voltage | 575 V |
| Current | 4.8 A | Speed | 3510 rpm |
| Service Factor | 1.15 | Phase | 3 |
| Efficiency | 88.5 % | Power Factor | 88 |
| Duty | Continuous | Insulation Class | H |
| Design Code | B | KVA Code | J |
| Frame | 184T | Enclosure | Totally Enclosed Fan Cooled |
| Thermal Protection | No Protection | Ambient Temperature | 40 °C |
| Drive End Bearing Size | 6206 | Opp Drive End Bearing Size | 6205 |
| UL | Listed | CSA | Y |
| CE | Y | IP Code | 55 |
| Hazardous Location | DIVISION 2 T2B | Number of Speeds | 1 |

Technical Specifications

| | | | |
|-----------------------|-------------------------------------|--------------------|-----------------------------------|
| Electrical Type | Squirrel Cage Inverter Rated | Starting Method | Line Or Inverter |
| Poles | 2 | Rotation | Reversible |
| Resistance Main | 3.55 Ohms | Mounting | Rigid Base |
| Motor Orientation | Horizontal | Drive End Bearing | Ball |
| Opp Drive End Bearing | Ball | Frame Material | Cast Iron |
| Shaft Type | T | Shaft Diameter | 1.125 in |
| Assembly/Box Mounting | F1/F2 CAPABLE | Inverter Load | CONSTANT 2:1/VARIABLE 10:1 |
| Outline Drawing | SS600210-200 | Connection Drawing | EE7300 |

This is an uncontrolled document once printed or downloaded and is subject to change without notice. Date Created:12/14/2022

| DASH NO. | 4 | | | | 3 | | | | MOUNTING | FRAME |
|----------|------|-------|------|------|------|------|------|------|----------|----------|
| | B | C | E | 2E | 2F | 2FF | BA | BS | | |
| 100 | 5.67 | 15.20 | 3.75 | 7.50 | - | 4.50 | 2.75 | 2.35 | F1 OR F2 | 182T |
| 200 | 6.69 | 16.20 | | | 4.50 | 5.50 | | 2.75 | F1 OR F2 | 182/184T |



| | | |
|---|----------------------|--------------------|
| DRAWING REVISION C | REVISION BY BISWA | DATE 06/10/2020 |
| ECO ECO-0194180 | APPROVED BY GNK | DATE 06/10/2020 |
| ECO DESCRIPTION DRAWING UPDATED COPYRIGHT REGAL BELOIT AMERICA, INC. ALL RIGHTS RESERVED. PROPRIETARY AND CONFIDENTIAL INFORMATION - THIS DOCUMENT IS THE PROPERTY OF REGAL BELOIT AMERICA, INC. ("OWNER") AND CONTAINS OWNER'S PROPRIETARY INFORMATION. ANY PERSON, CORPORATION OR OTHER FIRM RECEIVING IT IS DEEMED, BY RECEIVING IT, TO AGREE THAT IT, AND/OR ANY PART OF IT, SHALL NOT BE DISCLOSED TO ANY PERSON, CORPORATION OR OTHER ENTITY, DUPLICATED, AND/OR USED, EXCEPT AS EXPRESSLY APPROVED IN WRITING IN ADVANCE BY OWNER. THIS DOCUMENT SHALL BE RETURNED TO OWNER UPON REQUEST. IT MAY BE SUBJECT TO CERTAIN RESTRICTIONS UNDER APPLICABLE EXPORT CONTROL LAWS AND REGULATIONS. | | |

| | |
|------------------------|--|
| DRAWN BY BISWA | Regal Beloit America, Inc. |
| DATE 24/12/2018 | |
| APPROVED BY SBD | DESCRIPTION OUTLINE 182/184T FR-NEMA-SD & IEEE841 |
| DATE 24/12/2018 | MATERIAL |
| REFERENCE | PROCESS/FINISH |
| THIRD ANGLE PROJECTION | SIZE B |
| | DRAWING NUMBER SS600210 |
| | SHEET 1 OF 1 |

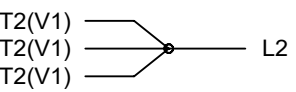
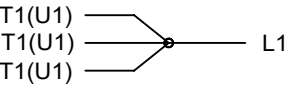
THREE PHASE - SINGLE VOLTAGE
MOTOR - CONDUIT BOX @ 'A'

TERMINAL BLOCK WHEN SPECIFIED

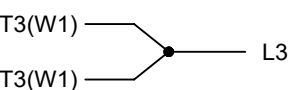
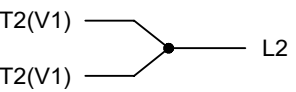
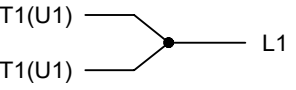
TO REVERSE ROTATION:
INTERCHANGE ANY TWO LINE
LEAD CONNECTIONS



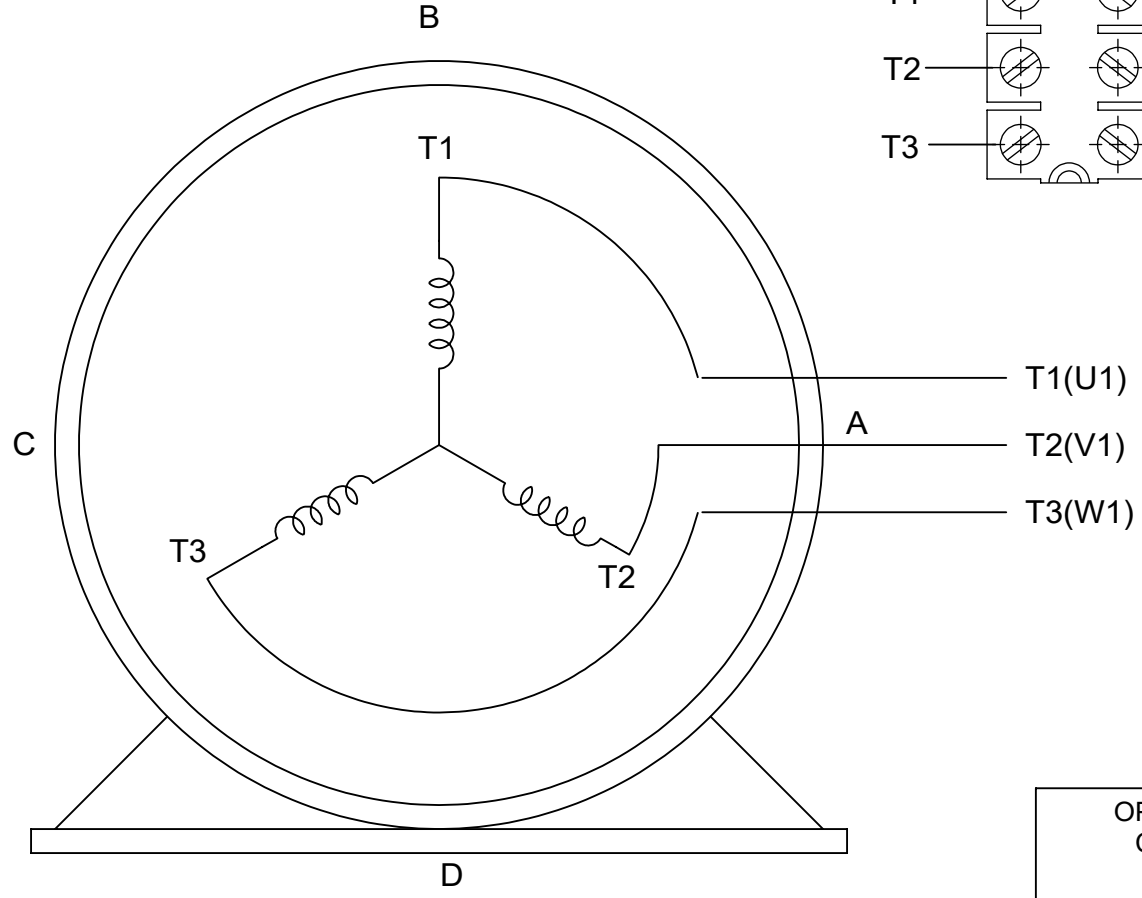
IF MOTOR HAS
9 LEADS



IF MOTOR HAS
6 LEADS



A-9806 DECAL



VIEW OF TERMINAL END

| OPTIONAL CORD CONNECTION | |
|--------------------------|-------|
| L1 | WHITE |
| L2 | RED |
| L3 | BLACK |

| | | |
|------------------------|-------------------|-------------------------------|
| DRAWING REVISION AC | REVISION BY BS | REV DATE/© DATE 26/07/2022 |
|------------------------|-------------------|-------------------------------|

| | | |
|------------------------------|-------------------|--------------------|
| REQUEST NUMBER CR-0010402 | APPROVED BY SN | DATE 26/07/2022 |
|------------------------------|-------------------|--------------------|

REQUEST NUMBER DESCRIPTION
DRAWING UPDATED

PRIMARY DIMENSIONS ARE INCH
mm DIMENSIONS IN [BRACKETS]
ARE FOR REFERENCE ONLY

| |
|----------------|
| DRAWN BY DA |
|----------------|

| |
|--------------------|
| DATE 03-26-1993 |
|--------------------|

| |
|-------------------|
| APPROVED BY TB |
|-------------------|

| |
|--------------------|
| DATE 03-26-1993 |
|--------------------|

| |
|-----------|
| REFERENCE |
|-----------|

| |
|------------------------|
| THIRD ANGLE PROJECTION |
|------------------------|

Regal Rexnord Regal Beloit America, Inc.

DESCRIPTION
CONNECTION DIAGRAM
EXTERNAL - SINGLE VOLTAGE - 3Ø MOTOR

| | |
|----------|----------------|
| MATERIAL | PROCESS/FINISH |
|----------|----------------|

| | | |
|-----------|--------------------------|-----------------|
| SIZE A | DRAWING NUMBER EE7300 | SHEET 1 OF 1 |
|-----------|--------------------------|-----------------|

COPYRIGHT (PER REVISION DATE) REGAL BELOIT AMERICA, INC. ALL RIGHTS RESERVED. PROPRIETARY AND CONFIDENTIAL INFORMATION - THIS DOCUMENT IS THE PROPERTY OF REGAL BELOIT AMERICA, INC. ("OWNER") AND CONTAINS OWNER'S PROPRIETARY INFORMATION. ANY PERSON, CORPORATION OR OTHER FIRM RECEIVING IT IS DEEMED, BY RECEIVING IT, TO AGREE THAT IT, AND/OR ANY PART OF IT, SHALL NOT BE DISCLOSED TO ANY PERSON, CORPORATION OR OTHER ENTITY, DUPLICATED, AND/OR USED, EXCEPT AS EXPRESSLY APPROVED IN WRITING IN ADVANCE BY OWNER. THIS DOCUMENT SHALL BE RETURNED TO OWNER UPON REQUEST. IT MAY BE SUBJECT TO CERTAIN RESTRICTIONS UNDER APPLICABLE EXPORT CONTROL LAWS AND REGULATIONS.



DATA VOLTS: 460

CERTIFICATION DATA SHEET

CONN. DIAGRAM: EE7300
 REFERENCE MODEL #: 184TTFCD6505
 OUTLINE: SS600210-184T CAT #: E655A
 WINDING: HE31122016 NONE 2 MOUNTING: F1/F2 CAPABLE

TYPICAL MOTOR PERFORMANCE DATA

| HP | KW | SYNC RPM | FL RPM | FRAME | ENCLOSURE | TYPE | KVA CODE | DESIGN |
|----|-----|----------|--------|-------|-----------|------|----------|--------|
| 5 | 3.7 | 3600 | 3510 | 184T | TEFC | TFC | H | B |

| PH | HZ | VOLTS | AMPS | START TYPE | DUTY | INSL | S.F. | AMB (° C) | ELEV.(Ft) |
|----|----|-------|------|------------------|------|------|------|-----------|-----------|
| 3 | 60 | 575 | 4.8 | LINE OR INVERTER | CONT | H | 1.15 | 40 | 3300 |

| F.L. EFF | 88.5 | 3/4 LD EFF | 88.5 | 1/2 LD EFF | 87.5 | GTD EFF | ELECT. TYPE |
|----------|------|------------|------|------------|------|---------|-------------------|
| F.L. PF | 88.0 | 3/4 LD PF | 83.0 | 1/2 LD PF | 73.0 | 87.5 | SQ CAGE INV RATED |

| F.L. TORQUE | LR AMPS @ 460 V | L.R. TORQUE | B.D. TORQUE | F.L. RISE (° C) |
|-------------|-----------------|-----------------|-----------------|-----------------|
| 7.5 LB-FT | 33.6 | 16.2 LB-FT 216% | 23.0 LB-FT 307% | 65 |

| SOUND PRESSURE @ | SOUND | ROTOR WK ² | MAX. LOAD WK ² | SAFE STALL TIME | STARTS/HOUR | APROX. |
|------------------|--------|-------------------------|---------------------------|-----------------|-------------|---------|
| 70 dBA | 79 dBA | 0.23 LB-FT ² | 5.5 LB-FT ² | 15 SEC. | 2 | 111 LB. |

***** SUPPLEMENTAL INFORMATION *****

| DE BRACKET TYPE | ODE BRACKET TYPE | MOUNT TYPE | MOTOR ORIENTATION | SEVERE DUTY | HAZARDOUS LOCATION | DRIP COVER | SCREENS | PAINT |
|-----------------|------------------|------------|-------------------|---------------------|--------------------|------------|---------|--------------|
| STANDARD | STANDARD | RIGID | HORIZONTAL | PREMIUM SEVERE DUTY | DIVISION 2 T2B | NO | NONE | BLUE (EPOXY) |

| BEARINGS | | GREASE | SHAFT TYPE | SPECIAL DE | SPECIAL ODE | SHAFT MATERIAL | FRAME MATERIAL |
|-----------|-----------|------------|------------|------------|-------------|-------------------------|----------------|
| DE | ODE | POLYREX EM | T | NONE | NONE | 1045 HOT ROLLED (C-204) | CAST IRON |
| BALL 6206 | BALL 6205 | | | | | | |

| THERMOSTATS | PROTECTORS | WDG RTD's | BRG RTD's | THERMISTORS | CONTROL | SPACE HEATERS |
|-------------|------------|-----------|-----------|-------------|---------|---------------|
| NONE | NOT | NONE | NONE | NONE | FALSE | NA |

| R1 (ohms/ph) | R2 (ohms/ph) | X1 (ohms/ph) | X2 (ohms/ph) | Xm (ohms/ph) | VIBRATION (in/sec) | FLOAT |
|--------------|--------------|--------------|--------------|--------------|--------------------|-------|
| 3.278 | 1.595 | 6.202 | 2.481 | 175.593 | 0.080 | ODE |

| | | |
|---------------------------------|--|----------|
| * N O T E S * | If Inverter equals NONE, contact factory for further information | |
| | INVERTER TORQUE: CONSTANT 2:1/VARIABLE 10:1 | |
| | INV. HP SPEED RANGE: NONE | |
| | ENCODER: NONE | NONE PPR |
| | NONE | NONE |

| | | |
|-----------------------|---------------|------|
| PREPARED BY: ANUSHA M | BRAKE: NONE | NONE |
| DATE: 3/18/2020 | FT-LB: NA | NONE |
| | VOLTAGE: NONE | HZ: |

FORM: 3531 REV_4 2/27/06

** Subject to change without notice.

Data Sheet

Date: 3/10/2020
 Customer: _____
 Attention: _____
 Submitted by: ANUSHA M

184TTFC6505



Submittal

Data @ 575 V

Motor Load Data

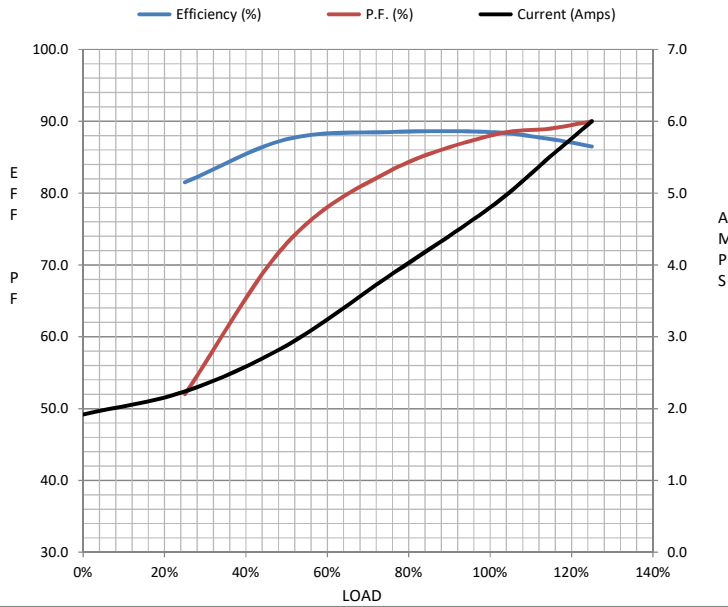
| Load | 0% | 25% | 50% | 75% | 100% | 115% | 125% | LR |
|----------------|------|------|------|------|------|-------|------|------|
| Current (Amps) | 1.92 | 2.24 | 2.88 | 3.8 | 4.8 | 5.5 | 6.0 | 33.6 |
| Torque (ft-lb) | 0.00 | 1.85 | 3.7 | 5.6 | 7.5 | 8.6 | 9.4 | 16.2 |
| RPM | 3600 | 3580 | 3555 | 3535 | 3510 | 3,500 | 3490 | 0 |
| Efficiency (%) | | 81.5 | 87.5 | 88.5 | 88.5 | 87.5 | 86.5 | |
| P.F. (%) | 9.0 | 52.0 | 73.0 | 83.0 | 88.0 | 89.0 | 90.0 | 50.0 |

Motor Speed Data

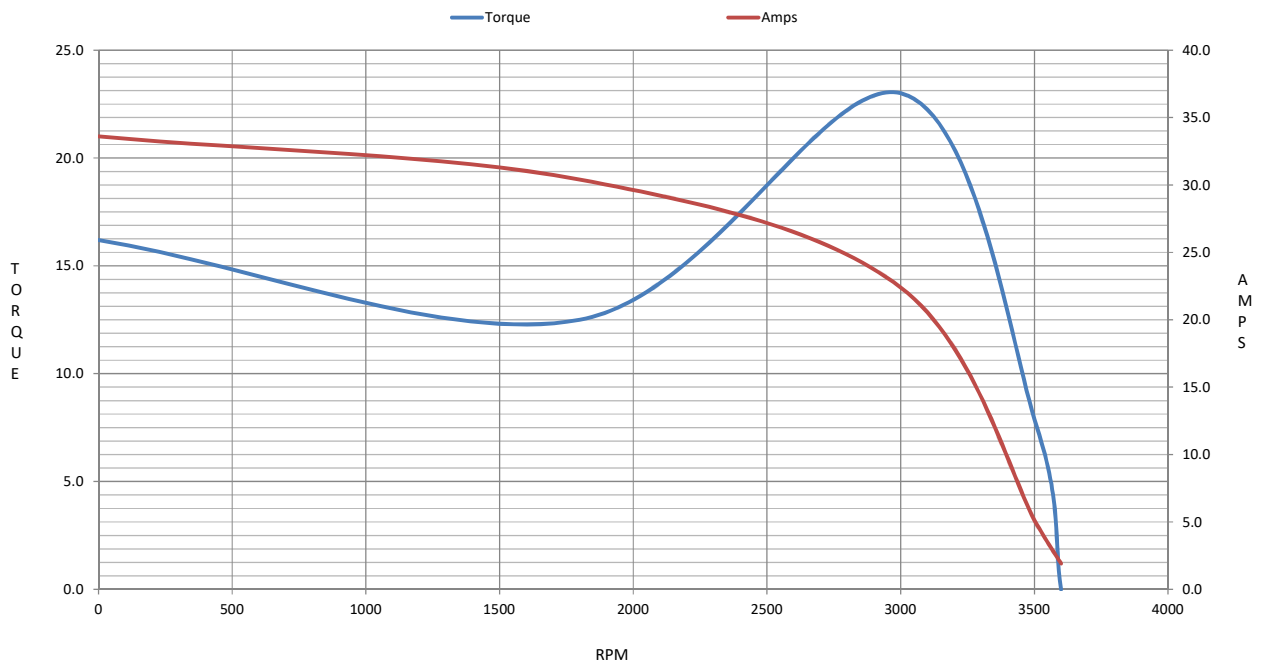
| | LR | Pull-Up | BD | Rated | Idle |
|----------------|------|---------|------|-------|------|
| Speed (RPM) | 0 | 1800 | 3000 | 3510 | 3600 |
| Current (Amps) | 33.6 | 30.4 | 22.4 | 4.8 | 1.92 |
| Torque (ft-lb) | 16.2 | 12.5 | 23.0 | 7.5 | 0.00 |

Information Block

| | | | | |
|-----------------------------|----------------------------|--------|--------|----------|
| HP | 5.0 | | | |
| Sync. RPM | 3600 | | | |
| Frame | 184 | | | |
| Enclosure | TEFC | | | |
| Construction | TFC | | | |
| Voltage | 575 V | | | |
| Frequency | 60 Hz | | | |
| Design | B | | | |
| LR Code letter | H | | | |
| Service Factor | 1.15 | | | |
| Temp Rise @ FL | 65 °C | | | |
| Duty | CONT | | | |
| Ambient | 50 °C | | | |
| Elevation | 1,000 feet | | | |
| Rotor/Shaft wk ² | 0.23 Lb-Ft ² | | | |
| Ref Wdg | HE31122016 NONE | | | |
| Sound Pressure @ 1M | 70 dBA | | | |
| VFD Rating | CONSTANT 2:1/VARIABLE 10:1 | | | |
| Outline Dwg | SS600210-184T | | | |
| Conn. Diag | EE7300 | | | |
| Additional Specifications: | | | | |
| 0 | | | | |
| 0 | | | | |
| EQUIV CKT (OHMS / PHASE) | | | | |
| R1 | R2 | X1 | X2 | Xm |
| 3.2780 | 1.5950 | 6.2020 | 2.4810 | 175.5930 |



Speed - Torque Curve



EC Declaration of Conformity

The undersigned representing
the manufacturer:

Regal Beloit America
100 East Randolph St.
Wausau, WI 54401

and the authorized representative
established within the Community:

Marathon Electric UK
6F Thistleton Road Ind. Estate
Market Overton
Oakham, Rutland LE15 7PP UK

are committed to providing customers with products that comply with applicable regulations and international protocols to which they are subject, including the requirements of the European Parliament Directive on the Harmonization of the laws relating to electrical equipment designed for use within certain voltage limits (2014/35/EU).

Regal Beloit America declares that the following product(s), to which this declaration relates, are in conformity with the relevant sections of the EC standards listed below.

This statement supersedes any statements previously issued pertaining to the product(s) listed below and is subject to change without notice.

Model No : 184TTFCD6505

(Model No. may contain prefix and/or suffix characters)

Catalog No : E655A

Rework No : N/A

Directives :

Low Voltage Directive 2014/35/EU

Harmonized Standards Used :

EN 60034-1: 2010 (IEC 60034-1: 2010)

EN 60034-5: 2001/A1:2007 (IEC 60034-5: 2000/A1:2006)

Authorized Representative:



Michael A. Logsdon
Vice President, Technology

Authorized Representative in the Community:



Julian Clark
Marketing Engineer

Created on 09/01/2022

CE 22