

# PRODUCT INFORMATION PACKET

marathon®  
Motors

Model No: 254TTDX16042

Catalog No: E722A

XRI® General Purpose General Purpose Motor, 15 HP, 3 Ph, 60 Hz, 230/460 V, 1800 RPM, 254T Frame, DP



Regal and Marathon are trademarks of Regal Rexnord Corporation or one of its affiliated companies.  
©2022 Regal Rexnord Corporation, All Rights Reserved. MC017097E

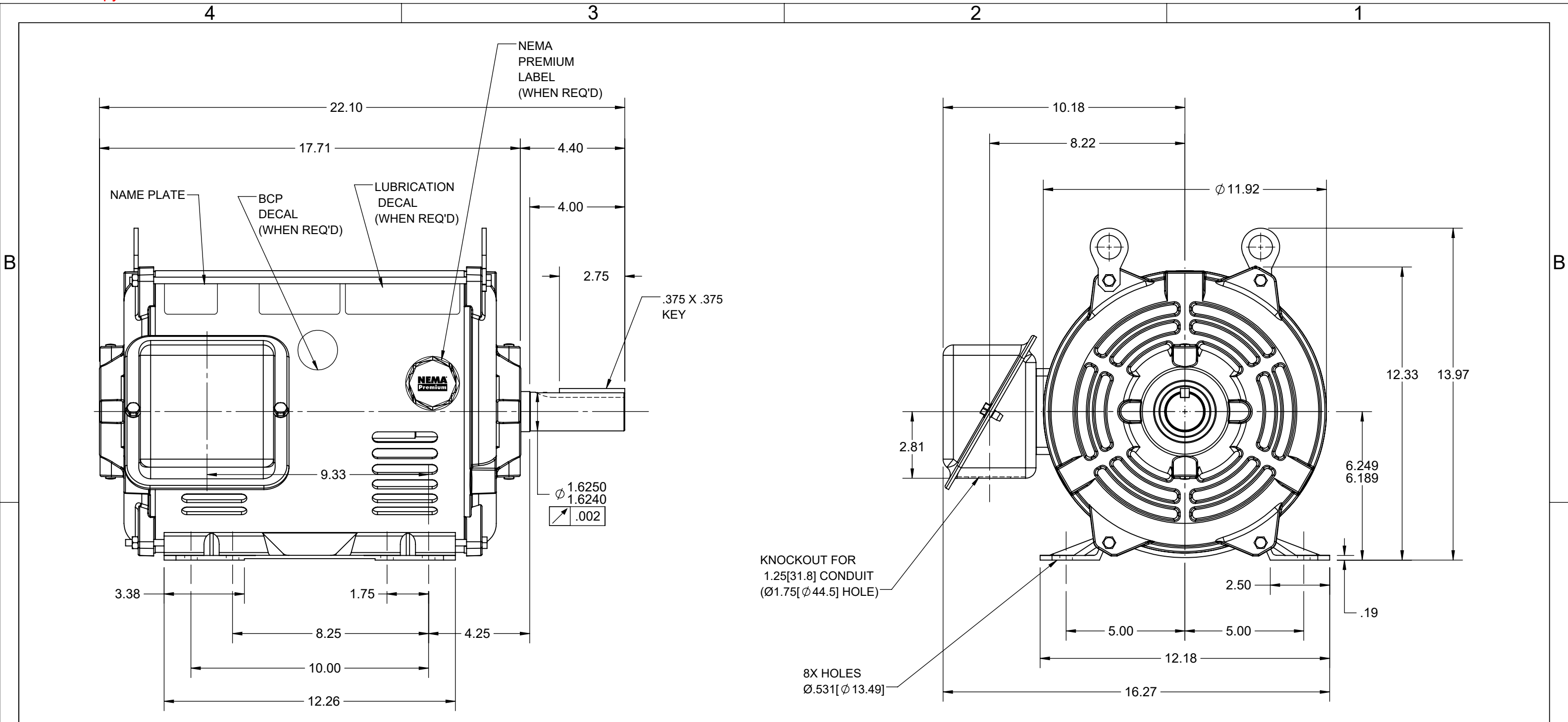
RegalRexnord

### Nameplate Specifications

Output HP	<b>15 Hp</b>	Output KW	<b>11.2 kW</b>
Frequency	<b>60 Hz</b>	Voltage	<b>230/460 V</b>
Current	<b>38.0/18.9 A</b>	Speed	<b>1768 rpm</b>
Service Factor	<b>1.15</b>	Phase	<b>3</b>
Efficiency	<b>93 %</b>	Power Factor	<b>79.9</b>
Duty	<b>Continuous</b>	Insulation Class	<b>F</b>
Design Code	<b>B</b>	KVA Code	<b>G</b>
Frame	<b>254T</b>	Enclosure	<b>Drip Proof</b>
Thermal Protection	<b>No Protection</b>	Ambient Temperature	<b>40 °C</b>
Drive End Bearing Size	<b>6309</b>	Opp Drive End Bearing Size	<b>6207</b>
UL	<b>Recognized</b>	CSA	<b>Y</b>
CE	<b>Y</b>	IP Code	<b>12</b>
Number of Speeds	<b>1</b>		

### Technical Specifications

Electrical Type	<b>Squirrel Cage Induction Run</b>	Starting Method	<b>Across The Line</b>
Poles	<b>4</b>	Rotation	<b>Reversible</b>
Resistance Main	<b>.515 Ohms</b>	Mounting	<b>Rigid Base</b>
Motor Orientation	<b>Horizontal</b>	Drive End Bearing	<b>Ball</b>
Opp Drive End Bearing	<b>Ball</b>	Frame Material	<b>Rolled Steel</b>
Shaft Type	<b>T</b>	Overall Length	<b>22.10 in</b>
Shaft Diameter	<b>1.625 in</b>	Shaft Extension	<b>4 in</b>
Assembly/Box Mounting	<b>F1 ONLY</b>		
Connection Drawing	<b>80022801</b>	Outline Drawing	<b>037977</b>



**MOTOR DESCRIPTION:**  
 3 PHASE OPEN DRIPPROOF STEEL SHELL 254T OR 256T MOUNTING.  
 OTHER MOUNTING ORIENTATIONS ARE ACCEPTABLE; HOWEVER WHEN  
 MOUNTED OTHER THAN HORIZONTAL; MOTOR WILL NOT BE DRIPPROOF  
 AS DEFINED BY NEMA.

- NOTES:**
1. CONDUIT BOX MAY BE ROTATED IN 90° INCREMENTS.
  2. MOTOR IS SUITABLE FOR FIELD CONVERSION FROM AN F1 TO AN F2 CONDUIT BOX LOCATION.
  3. MOTOR VENTILATION: AIR INTAKE THROUGH OPENINGS IN THE FACE OF EACH BRACKET AND EXHAUSTED THROUGH THE VENT SLOTS ON EACH END OF THE SHELL.

DRAWING REVISION F	REVISION BY KR	REV DATE/© DATE 05/05/2022	TOLERANCES (EXCEPT AS NOTED): DEC. INCH mm ANGLE .X ±0.1 [±3] ±7° 30" .XX ±0.03 [±0.8] .XXX ±0.005 [±0.13] .XXXX ±0.0005 [±0.013] REMOVE BURRS & BREAK SHARP EDGES: .003/.015 [.08/.38] X 45° CORNER FILLETS: R.02 [.5] MACHINED SURFACES: 200 INCH/mm 5.1 mm DIMENSIONS IN [BRACKETS] ARE FOR REFERENCE ONLY	DRAWN BY PVR	<b>Regal Rexnord</b> Regal Beloit America, Inc.
REQUEST NUMBER NMR-0211852	APPROVED BY MN	DATE 05/05/2022		DATE 01/28/15	
REQUEST NUMBER DESCRIPTION UPDATED AS PER CURRENT STANDARDS				APPROVED BY	DESCRIPTION
COPYRIGHT (PER REVISION DATE) REGAL BELOIT AMERICA, INC. ALL RIGHTS RESERVED. PROPRIETARY AND CONFIDENTIAL INFORMATION - THIS DOCUMENT IS THE PROPERTY OF REGAL BELOIT AMERICA, INC. ("OWNER") AND CONTAINS OWNER'S PROPRIETARY INFORMATION. ANY PERSON, CORPORATION OR OTHER FIRM RECEIVING IT IS DEEMED, BY RECEIVING IT, TO AGREE THAT IT, AND/OR ANY PART OF IT, SHALL NOT BE DISCLOSED TO ANY PERSON, CORPORATION OR OTHER ENTITY, DUPLICATED, AND/OR USED, EXCEPT AS EXPRESSLY APPROVED IN WRITING IN ADVANCE BY OWNER. THIS DOCUMENT SHALL BE RETURNED TO OWNER UPON REQUEST. IT MAY BE SUBJECT TO CERTAIN RESTRICTIONS UNDER APPLICABLE EXPORT CONTROL LAWS AND REGULATIONS.				DATE	OUTLINE 250T-15 HP
				REFERENCE 18748501-001	MATERIAL
				THIRD ANGLE PROJECTION	PROCESS/FINISH
				SIZE B	DRAWING NUMBER 037977
					SHEET 1 OF 1

**CERTIFICATION DATA SHEET**

**Model#:** 254TTDX16042 AA  
**CONN. DIAGRAM:** 80022801  
**OUTLINE:** 037977

**WINDING#:** BGR4T01 NONE 3  
**ASSEMBLY:** F1 ONLY

**TYPICAL MOTOR PERFORMANCE DATA**

HP	KW	SYNC. RPM	F.L. RPM	FRAME	ENCLOSURE	KVA CODE	DESIGN
15&15	11.2&11.2	1800	1768&1460	254T	DP	G	B

PH	Hz	VOLTS	FL AMPS	START TYPE	DUTY	INSL	S.F	AMB°C	ELEVATION
3	60/50	230/460#200/ 400	38/18.9&44/22 .1	ACROSS THE LINE	CONTINUOU S	F4	1.15/1.15	40	3300

FULL LOAD EFF: 93&91.7	3/4 LOAD EFF: 93.2	1/2 LOAD EFF: 92.7	GTD. EFF	ELEC. TYPE	NO LOAD AMPS
FULL LOAD PF: 79.9&79.5	3/4 LOAD PF: 75.2	1/2 LOAD PF: 66	91.7	SQ CAGE IND RUN	15.4 / 7.7

F.L. TORQUE	LOCKED ROTOR AMPS	L.R. TORQUE	B.D. TORQUE	F.L. RISE°C
44.5 LB-FT	228 / 114	84.1 LB-FT 189	117 LB-FT 263	21

SOUND PRESSURE @ 3 FT.	SOUND POWER	ROTOR WK^2	MAX. WK^2	SAFE STALL TIME	STARTS /HOUR	APPROX. MOTOR WGT
- dBA	- dBA	2 LB-FT^2	- LB-FT^2	20 SEC.	2	0 LBS.

**\*\*\* SUPPLEMENTAL INFORMATION \*\*\***

DE BRACKET TYPE	ODE BRACKET TYPE	MOUNT TYPE	ORIENTATION	SEVERE DUTY	HAZARDOUS LOCATION	DRIP COVER	SCREENS	PAINT
STANDARD	STANDARD	RIGID	HORIZONTAL	FALSE	NONE	FALSE	NONE	BLUE (ENAMEL)

BEARINGS		GREASE	SHAFT TYPE	SPECIAL DE	SPECIAL ODE	SHAFT MATERIAL	FRAME MATERIAL
DE	OPE						
BALL	BALL	POLYREX EM	T	NONE	NONE	AISI 1045 (C-240)	ROLLED STEEL
6309	6207						

THERMO-PROTECTORS				THERMISTORS	CONTROL	SPACE /n HEATERS
THERMOSTATS	PROTECTORS	WDG RTDs	BRG RTDs			
NONE	NOT	NONE	NONE	NONE	FALSE	NONE VOLTS

If Inverter equals NONE, contact factory for further information

INVERTER TORQUE: NONE
INV. HP SPEED RANGE: NONE
ENCODER: NONE
NONE NONE
NONE NONE PPR
BRAKE: NONE NONE
NONE P/N NONE
NONE NONE
NONE FT-LB NONE V NONE Hz

\*  
N  
O  
T  
E  
S  
\*

DATE: 06/23/2017 03:28:27 AM  
 FORM 3531 REV.3 02/07/99  
 \*\* Subject to change without notice.

Data Sheet

254TTDX16042

Date: 1/7/2019  
 Customer: \_\_\_\_\_  
 Attention: \_\_\_\_\_  
 Submitted by: FAREEDA DUDEKULA



**Submittal**  
 Data @ 460 V

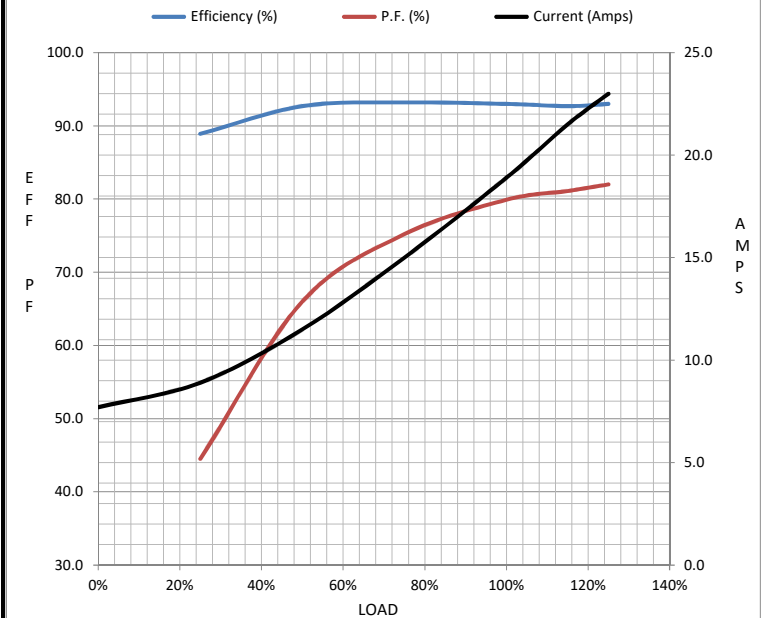
Motor Load Data

Load	0%	25%	50%	75%	100%	115%	125%	LR
Current (Amps)	7.7	8.9	11.5	15.0	18.9	21.5	23.0	114
Torque (ft-lb)	0.00	11.0	22.0	33.0	44.5	51.0	60.0	84.1
RPM	1800	1793	1785	1777	1768	1,762	1740	0
Efficiency (%)		88.9	92.7	93.2	93.0	92.7	93.0	
P.F. (%)	0.0	44.5	66.0	75.2	79.9	81.1	82.0	0.0

Motor Speed Data

	LR	Pull-Up	BD	Rated	Idle
Speed (RPM)	0	884	1656	1768	1800
Current (Amps)	114	103	68.4	18.9	7.7
Torque (ft-lb)	84.1	71.5	117	44.5	0.00

Information Block				
HP	15.0			
Sync. RPM	1800			
Frame	254			
Enclosure	DP			
Construction	TDR			
Voltage	230/460#200/400 V			
Frequency	60 Hz			
Design	B			
LR Code letter	G			
Service Factor	1.15			
Temp Rise @ FL	21 °C			
Duty	CONT			
Ambient	40 °C			
Elevation	3,300 feet			
Rotor/Shaft wk <sup>2</sup>	2.00 Lb-Ft <sup>2</sup>			
Ref Wdg	BGR4T01 NONE			
Sound Pressure @ 1M	999 dBA			
VFD Rating	NONE			
Outline Dwg	037977.00			
Conn. Diag	80022801			
Additional Specifications:				
0				
0				
EQUIV CKT (OHMS / PHASE)				
R1	R2	X1	X2	Xm
0.0000	0.0000	0.0000	0.0000	0.0000



Speed - Torque Curve

