

PRODUCT INFORMATION PACKET

Model No: 215TTDWD16345

Catalog No: E759A

General Purpose Motor, 10 HP, 3 Ph, 60 Hz, 575 V, 1800 RPM, 215T Frame, DP



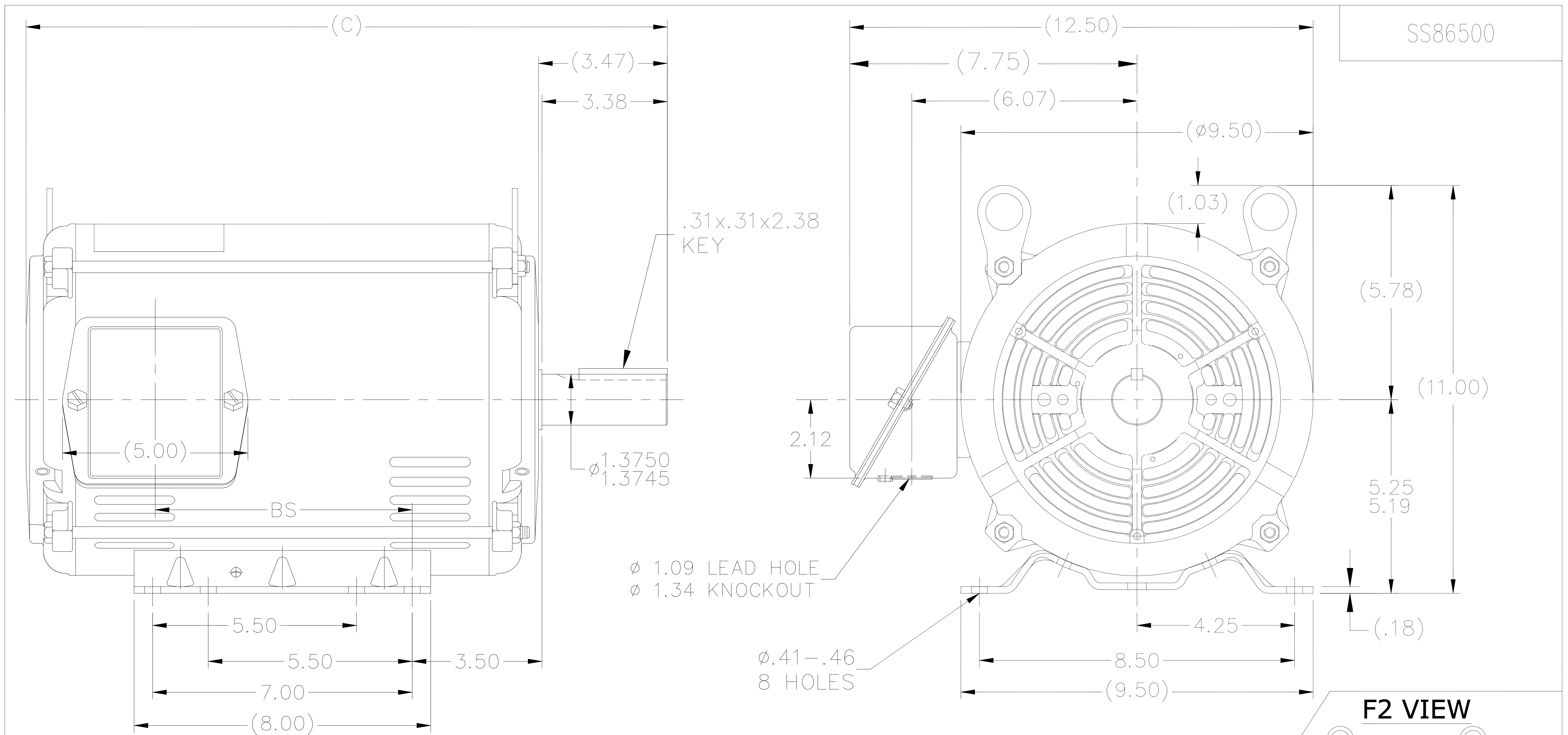
Regal and are trademarks of Regal Rexnord Corporation or one of its affiliated companies.
©2022 Regal Rexnord Corporation, All Rights Reserved. MC017097E

Nameplate Specifications

| | | | |
|------------------------|----------------------|----------------------------|-------------------|
| Output HP | 10 Hp | Output KW | 7.5 kW |
| Frequency | 60 Hz | Voltage | 575 V |
| Current | 10.5 A | Speed | 1765 rpm |
| Service Factor | 1.15 | Phase | 3 |
| Efficiency | 91.7 % | Power Factor | 77.8 |
| Duty | Continuous | Insulation Class | B |
| Design Code | B | KVA Code | H |
| Frame | 215T | Enclosure | Drip Proof |
| Thermal Protection | No Protection | Ambient Temperature | 40 °C |
| Drive End Bearing Size | 6307 | Opp Drive End Bearing Size | 6206 |
| UL | Recognized | CSA | Y |
| CE | Y | IP Code | 12 |
| Number of Speeds | 1 | | |

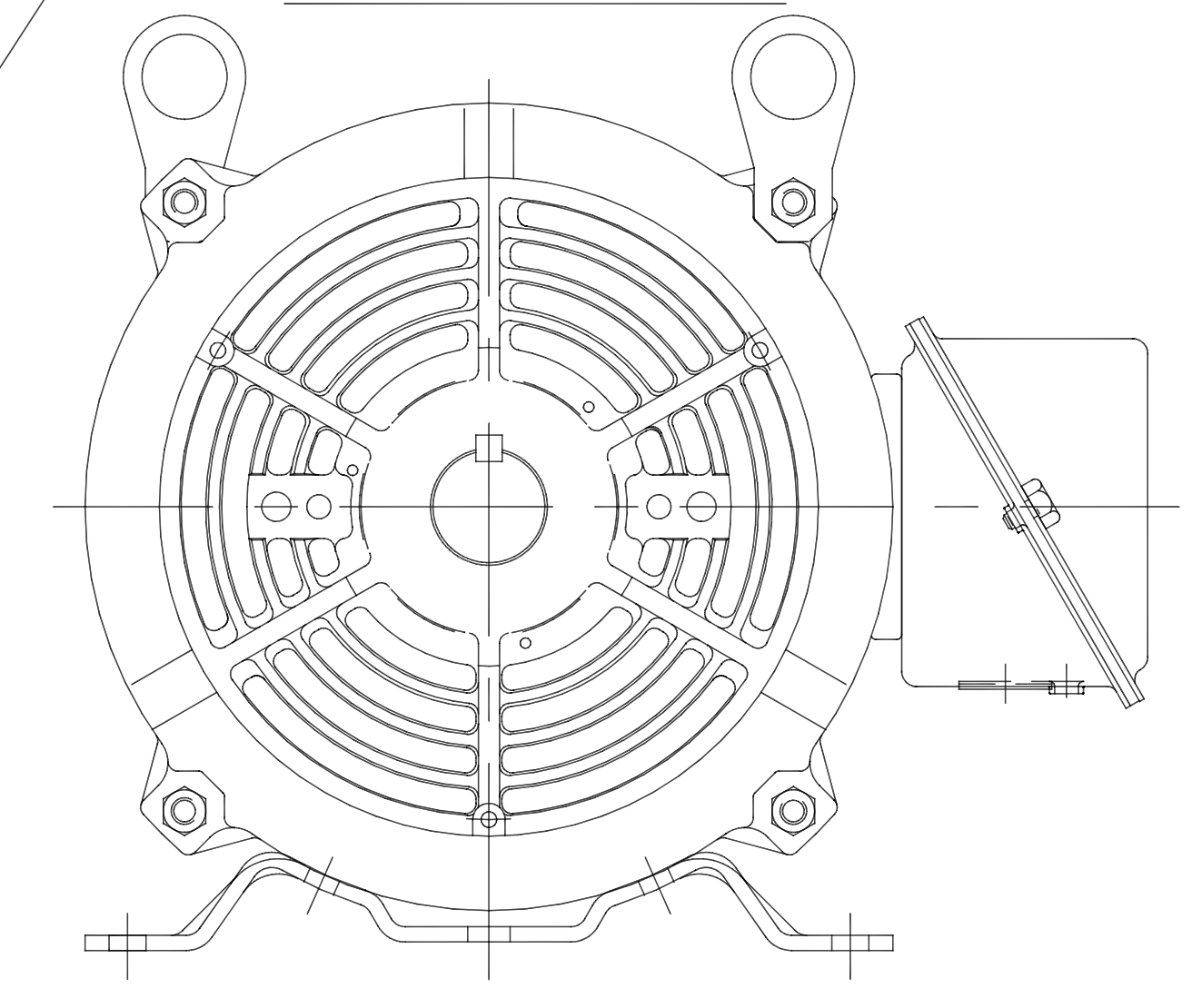
Technical Specifications

| | | | |
|-----------------------|------------------------------------|-----------------------|------------------------|
| Electrical Type | Squirrel Cage Induction Run | Starting Method | Across The Line |
| Poles | 4 | Rotation | Reversible |
| Resistance Main | 1.022 Ohms | Mounting | Rigid Base |
| Motor Orientation | Horizontal | Drive End Bearing | Ball |
| Opp Drive End Bearing | Ball | Frame Material | Rolled Steel |
| Shaft Type | T | Overall Length | 17.30 in |
| Frame Length | 11.15 in | Shaft Diameter | 1.375 in |
| Shaft Extension | 3.47 in | Assembly/Box Mounting | F1/F2 Capable |
| Connection Drawing | 005102.01 | Outline Drawing | SS86500-1115 |




SS86500

F2 VIEW



- NOTES:
1. NAMEPLATE TO BE READ FROM C'BOX SIDE OF MOTOR.
 2. BOX CAN BE MOUNTED IN 90° STEPS.
 3. BOX CAN BE MOUNTED ON OPPOSITE SIDE BY REMOVING BRACKETS AND TURNING FRAME 180°. (EXCEPT AS NOTED.)

| DASH | FR. | C | BS | MOUNTING |
|------|---------|-------|------|----------|
| 1115 | 213/15T | 17.30 | 6.93 | F1/F2 |
| 1240 | 213/15T | 18.55 | 8.18 | F1 ONLY |

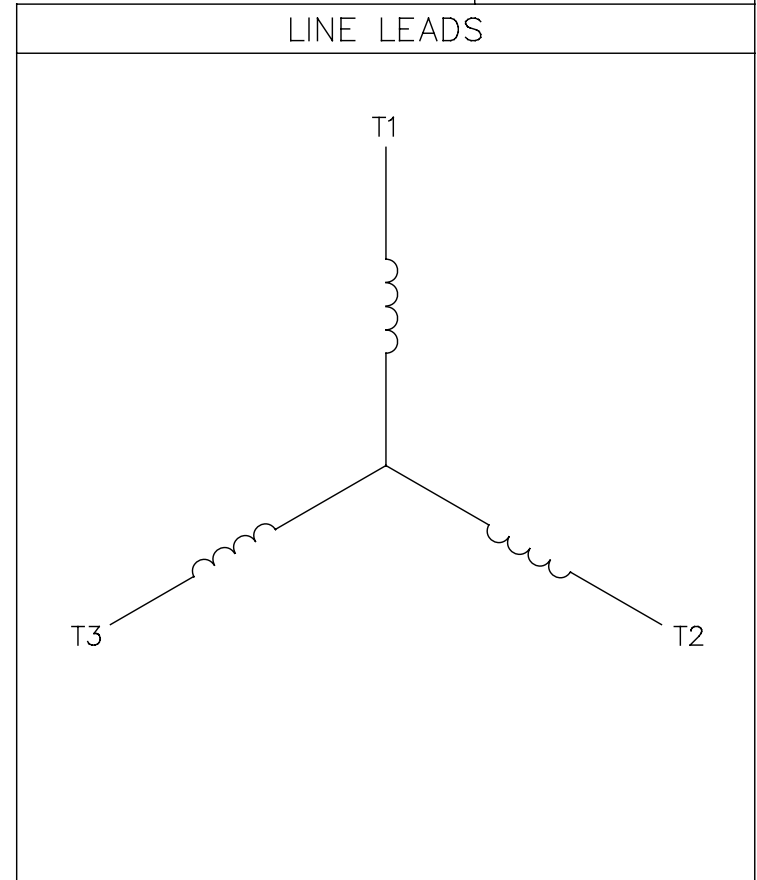
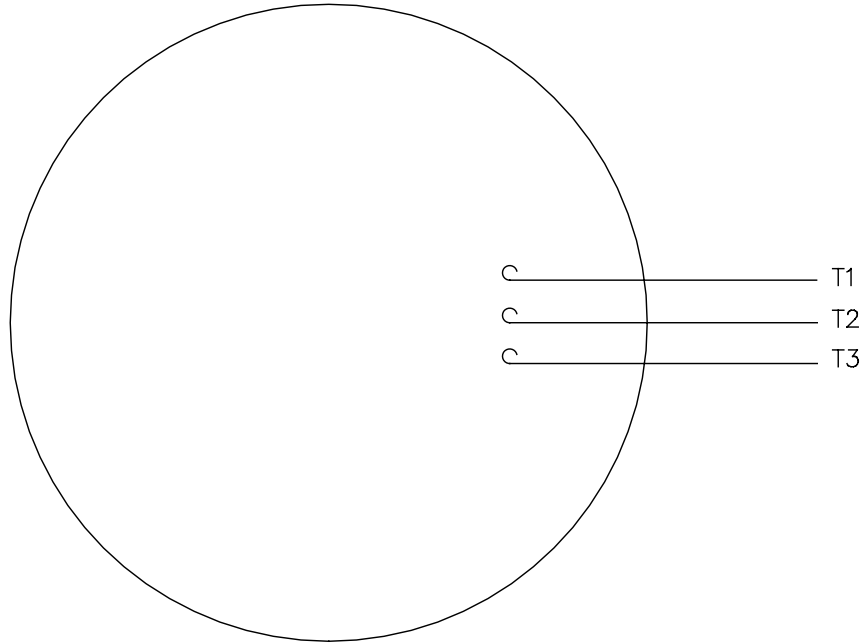
| | | | | | | | |
|-----|---|----------------|-----|-----------------------------|--------|---|----------------------|
| 14 | TITLE BLOCK LOGO CHANGE PER ECO-0078542 | MDV 06/09/2015 | MDV | TOLERANCES UNLESS SPECIFIED | |  Regal Beloit America, Inc. | DRAWN SMC 04-13-1993 |
| 13 | FOR FRAME 11.15 MOUNTING NOTE ADDED | UD 12/13/12 | SR | DEC. | INCHES | | CHK MOL 04-04-1993 |
| 12 | ADDED: F2 VIEW. | KVN 2/10/2009 | SVL | .X | ±.1 | | APPD DRN 04-13-1993 |
| 11 | UPDATED DRAWING | TJW 04/27/2007 | | .XX | ±.03 | TITLE OUTLINE | SCALE 1=4 |
| 10 | REM'VD. DASH 965 FROM SERIES CN38252 | RWR 07-20-2004 | ML | .XXX | ±.005 | 210 FR. - BB - TS - DR. PR. | REF |
| 9 | REDRAWN IN AUTOCAD | TAT 06-29-2004 | ML | .XXXX | ±.0005 | MAT'L. | FMF |
| NO. | REVISION | BY & DATE | CHK | ANG | ±7'30" | FINISH | PREV |

THIS DRAWING IN DESIGN AND DETAIL IS OUR PROPERTY AND MUST NOT BE USED EXCEPT IN CONNECTION WITH OUR WORK ALL RIGHTS OF DESIGN AND INVENTION ARE RESERVED THIS IS AN ELECTRONICALLY GENERATED DOCUMENT - DO NOT SCALE THIS PRINT

| | | | | | |
|---------|------------------|--------|---------------------|-------------|---------|
| RFP | CAD FILE ss86500 | SIZE A | DRAWING NO. SS86500 | PAGE 1 OF 1 | REV. 14 |
| DIST LB | | | | | |

005102-01

VIEW FROM OUTSIDE OF MOTOR AT SWITCH END.



CONNECT LEADS AS FOLLOWS
FOR FOUR CONDUCTOR CORD ()

| | | | | |
|-------|-------------|---------------|---------------|---------|
| CORD | L1 (RED) | L2 (WHITE) | L3 (BLACK) | (GREEN) |
| MOTOR | T1 | T2 | T3 | GROUND |

| | | | | | | | | | | | | |
|--|------------------------------------|--------------|-----|--------------------------------|---------|--|---|-------------------|------|-------------|--|------|
| | | | | TOLERANCES UNLESS SPECIFIED | | Regal Beloit America, Inc. | | DRAWN JRW 9/11/75 | | | | |
| | | | | DEC. | INCHES | | | CHK | | | | |
| | | | | .X | ±.1 | | | APPD JCW 9/11/75 | | | | |
| 08 | UPDATED TO REGAL LOGO | SAJ 06/26/15 | AJY | .XX | ±.01 | TITLE EXTERNAL WIRING DIAGRAM TYPE "T" W/O PROTECTOR | | SCALE 1=1 | | | | |
| 07 | UPDATED TO CURRENT STANDARDS | DBT 5/30/97 | | .XXX | ±.005 | | | REF W-T6343-6 | | | | |
| 06 | REDRAWN ON CAD; ADDED DECAL NUMBER | SAW 1/24/95 | | .XXXX | ±.0005 | | | FMF 6T17FB7 | | | | |
| NO. | REVISION | BY & DATE | CHK | ANG | ±1/2" | FINISH | | PREV | | | | |
| THIS DRAWING IN DESIGN AND DETAIL IS OUR PROPERTY AND MUST NOT BE USED EXCEPT IN CONNECTION WITH OUR WORK ALL RIGHTS OF DESIGN AND INVENTION ARE RESERVED THIS IS AN ELECTRONICALLY GENERATED DOCUMENT - DO NOT SCALE THIS PRINT | | | | RFP | 5/1/02 | CAD FILE | | 00510201 | SIZE | DRAWING NO. | | REV. |
| | | | | DIST | BRF-NLV | | A | 005102-01 | | 08 | | |

CERTIFICATION DATA SHEET

Model#: 215TTDWD16345 AA **WINDING#:** K2154505 NONE 3
CONN. DIAGRAM: 005102.01 **ASSEMBLY:** F1/F2 CAPABLE
OUTLINE: SS86500-1115

TYPICAL MOTOR PERFORMANCE DATA

| HP | KW | SYNC. RPM | F.L. RPM | FRAME | ENCLOSURE | KVA CODE | DESIGN |
|----|------|-----------|----------|-------|-----------|----------|--------|
| 10 | 7.50 | 1800 | 1765 | 215T | DP | H | B |

| PH | Hz | VOLTS | FL AMPS | START TYPE | DUTY | INSL | S.F | AMB°C | ELEVATION |
|----|----|-------|---------|-----------------|------------|------|------|-------|-----------|
| 3 | 60 | 575 | 10.5 | ACROSS THE LINE | CONTINUOUS | B4 | 1.15 | 40 | 3300 |

| FULL LOAD EFF: 91.7 | 3/4 LOAD EFF: 92.1 | 1/2 LOAD EFF: 91.4 | GTD. EFF | ELEC. TYPE | NO LOAD AMPS |
|---------------------|--------------------|--------------------|----------|-----------------|--------------|
| FULL LOAD PF: 77.8 | 3/4 LOAD PF: 72 | 1/2 LOAD PF: 60.2 | 90.2 | SQ CAGE IND RUN | 5.3 |

| F.L. TORQUE | LOCKED ROTOR AMPS | L.R. TORQUE | B.D. TORQUE | F.L. RISE°C |
|-------------|-------------------|----------------|----------------|-------------|
| 29.7 LB-FT | 64.4 | 62.3 LB-FT 210 | 83.3 LB-FT 280 | 25 |

| SOUND PRESSURE @ 3 FT. | SOUND POWER | ROTOR WK^2 | MAX. WK^2 | SAFE STALL TIME | STARTS /HOUR | APPROX. MOTOR WGT |
|------------------------|-------------|------------|------------|-----------------|--------------|-------------------|
| 60 dBA | 70 dBA | 1 LB-FT^2 | 74 LB-FT^2 | 20 SEC. | 2 | 150 LBS. |

***** SUPPLEMENTAL INFORMATION *****

| DE BRACKET TYPE | ODE BRACKET TYPE | MOUNT TYPE | ORIENTATION | SEVERE DUTY | HAZARDOUS LOCATION | DRIP COVER | SCREENS | PAINT |
|-----------------|------------------|------------|-------------|-------------|--------------------|------------|---------|---------------|
| STANDARD | STANDARD | RIGID | HORIZONTAL | FALSE | NONE | FALSE | NONE | BLUE (ENAMEL) |

| BEARINGS | | GREASE | SHAFT TYPE | SPECIAL DE | SPECIAL ODE | SHAFT MATERIAL | FRAME MATERIAL |
|----------|------|------------|------------|------------|-------------|-------------------|----------------|
| DE | OPE | | | | | | |
| BALL | BALL | POLYREX EM | T | NONE | NONE | AISI 1045 (C-240) | ROLLED STEEL |
| 6307 | 6206 | | | | | | |

| THERMO-PROTECTORS | | | | THERMISTORS | CONTROL | SPACE /n HEATERS |
|-------------------|------------|----------|----------|-------------|---------|------------------|
| THERMOSTATS | PROTECTORS | WDG RTDs | BRG RTDs | | | |
| NONE | NOT | NONE | NONE | NONE | FALSE | NONE VOLTS |

If Inverter equals NONE, contact factory for further information

*
N
O
T
E
S
*

| |
|---------------------------|
| INVERTER TORQUE: NONE |
| INV. HP SPEED RANGE: NONE |
| ENCODER: NONE |
| NONE NONE |
| NONE NONE PPR |
| BRAKE: NONE NONE |
| NONE P/N NONE |
| NONE NONE |
| NONE FT-LB NONE V NONE Hz |

DATE: 06/22/2017 07:35:36 AM
 FORM 3531 REV.3 02/07/99
 ** Subject to change without notice.

Data Sheet

Date: 19-06-2017
 Customer: _____
 Attention: _____
 Submitted by: FAREEDA DUDEKULA



215TTDWD16345

Submittal

Data @ 575 V

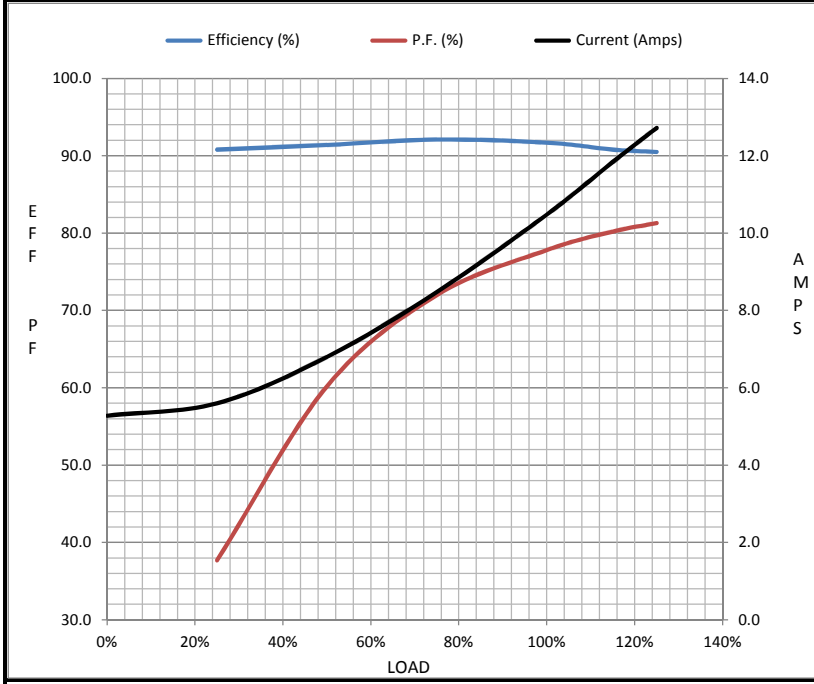
Motor Load Data

| Load | 0% | 25% | 50% | 75% | 100% | 115% | 125% | LR |
|----------------|------|------|------|------|------|-------|------|------|
| Current (Amps) | 5.3 | 5.6 | 6.8 | 8.5 | 10.5 | 11.8 | 12.7 | 64.4 |
| Torque (ft-lb) | 0.00 | 7.5 | 14.7 | 22.2 | 29.7 | 34.4 | 37.4 | 62.3 |
| RPM | 1800 | 1790 | 1784 | 1775 | 1765 | 1,758 | 1755 | 0 |
| Efficiency (%) | | 90.8 | 91.4 | 92.1 | 91.7 | 90.8 | 90.5 | |
| P.F. (%) | 4.7 | 37.7 | 60.2 | 72.0 | 77.8 | 80.2 | 81.3 | 42.0 |

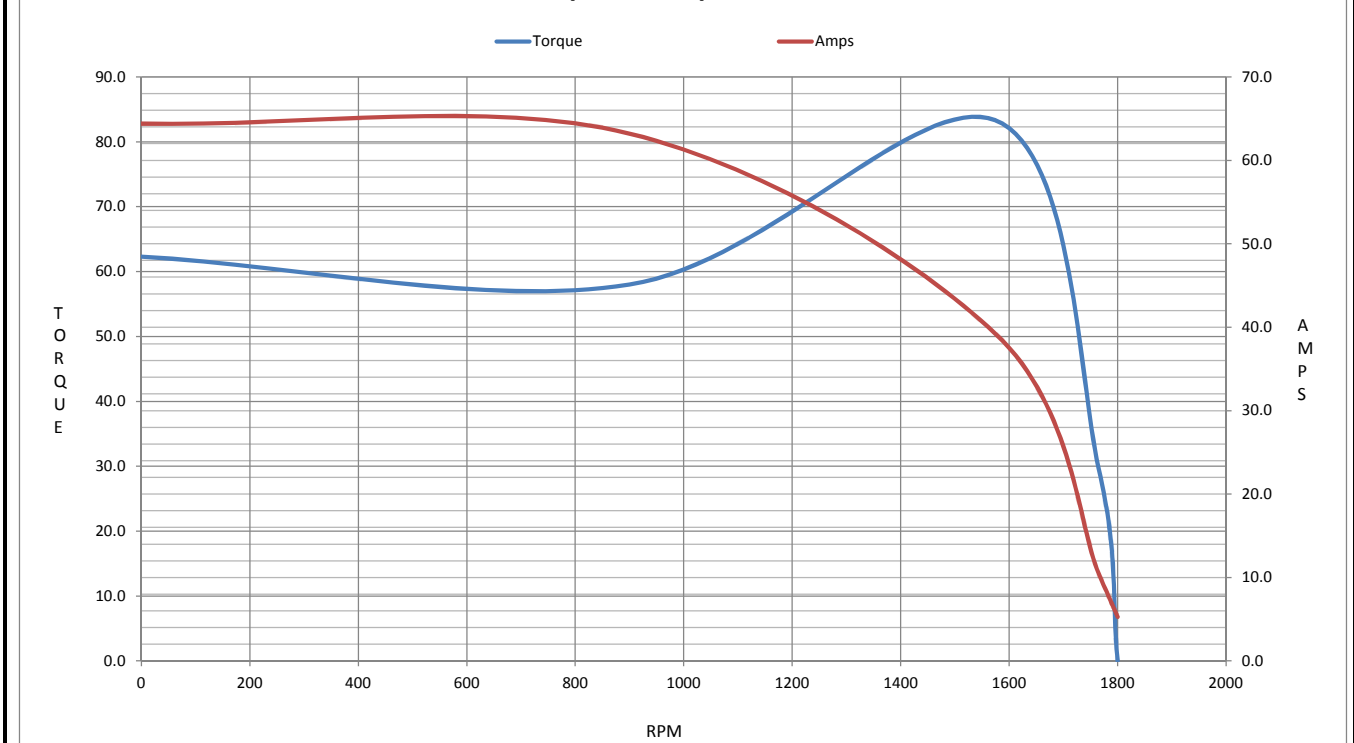
Motor Speed Data

| | LR | Pull-Up | BD | Rated | Idle |
|----------------|------|---------|------|-------|------|
| Speed (RPM) | 0 | 900 | 1575 | 1765 | 1800 |
| Current (Amps) | 64.4 | 63.2 | 39.2 | 10.5 | 5.3 |
| Torque (ft-lb) | 62.3 | 58.0 | 83.3 | 29.7 | 0.00 |

| Information Block | | | | |
|-----------------------------|-------------------------|--------|--------|---------|
| HP | 10.0 | | | |
| Sync. RPM | 1800 | | | |
| Frame | 215 | | | |
| Enclosure | DP | | | |
| Construction | TDW | | | |
| Voltage | 575 V | | | |
| Frequency | 60 Hz | | | |
| Design | B | | | |
| LR Code letter | H | | | |
| Service Factor | 1.15 | | | |
| Temp Rise @ FL | 25 ° C | | | |
| Duty | CONT | | | |
| Ambient | 40 ° C | | | |
| Elevation | 1,000 feet | | | |
| Rotor/Shaft wk ² | 1.00 Lb-Ft ² | | | |
| Ref Wdg | K2154505 NONE | | | |
| Sound Pressure @ 1M | 60 dBA | | | |
| VFD Rating | NONE | | | |
| Outline Dwg | SS86500-1115 | | | |
| Conn. Diag | 005102.01 | | | |
| Additional Specifications: | | | | |
| 0 | | | | |
| 365THFS8036 | | | | |
| EQUIV CKT (OHMS / PHASE) | | | | |
| R1 | R2 | X1 | X2 | Xm |
| 0.9750 | 0.6910 | 3.2090 | 3.6700 | 60.9400 |



Speed - Torque Curve



EC Declaration of Conformity

The undersigned representing
the manufacturer:

Regal Beloit America
100 East Randolph St.
Wausau, WI 54401

and the authorized representative
established within the Community:

Marathon Electric UK
6F Thistleton Road Ind. Estate
Market Overton
Oakham, Rutland LE15 7PP UK

are committed to providing customers with products that comply with applicable regulations and international protocols to which they are subject, including the requirements of the European Parliament Directive on the Harmonization of the laws relating to electrical equipment designed for use within certain voltage limits (2014/35/EU).

Regal Beloit America declares that the following product(s), to which this declaration relates, are in conformity with the relevant sections of the EC standards listed below.

This statement supersedes any statements previously issued pertaining to the product(s) listed below and is subject to change without notice.

Model No : 215TTDWD16345

(Model No. may contain prefix and/or suffix characters)

Catalog No : E759A

Rework No : N/A

Directives :

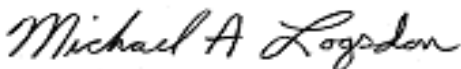
Low Voltage Directive 2014/35/EU

Harmonized Standards Used :

EN 60034-1: 2010 (IEC 60034-1: 2010)

EN 60034-5: 2001/A1:2007 (IEC 60034-5: 2000/A1:2006)

Authorized Representative:



Michael A. Logsdon
Vice President, Technology

Authorized Representative in the Community:



Julian Clark
Marketing Engineer

Created on 09/01/2022

CE 22