

PRODUCT INFORMATION PACKET

Model No: 145TTDR16356

Catalog No: E903A

General Purpose Motor, 2 HP, 3 Ph, 60 Hz, 208 V, 1800 RPM, 145T Frame, DP



Regal and are trademarks of Regal Rexnord Corporation or one of its affiliated companies.
©2022 Regal Rexnord Corporation, All Rights Reserved. MC017097E

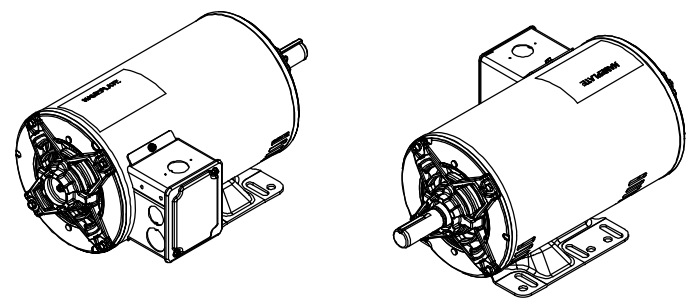
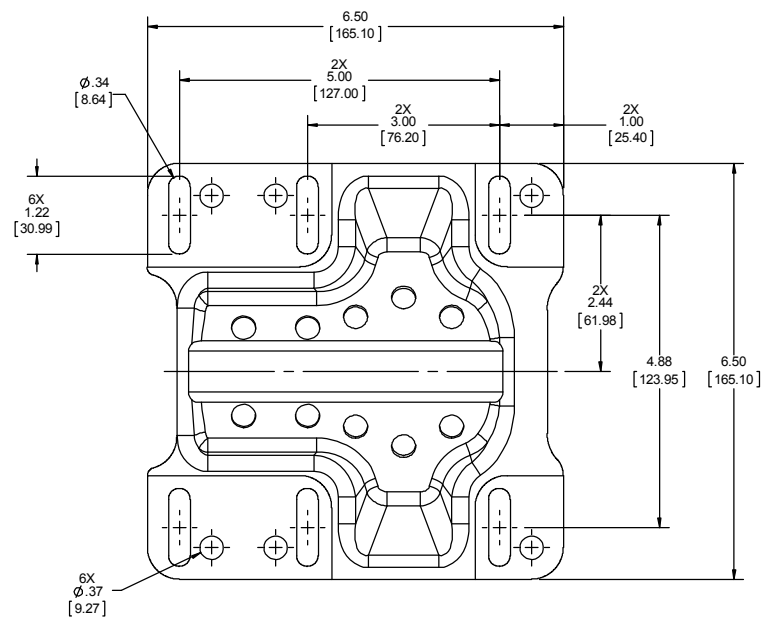
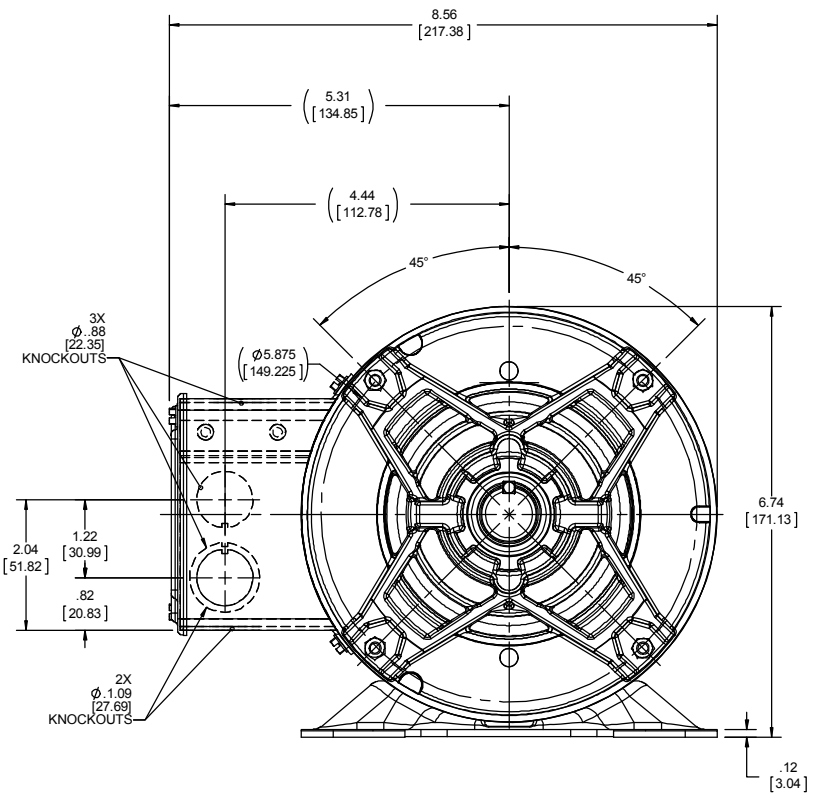
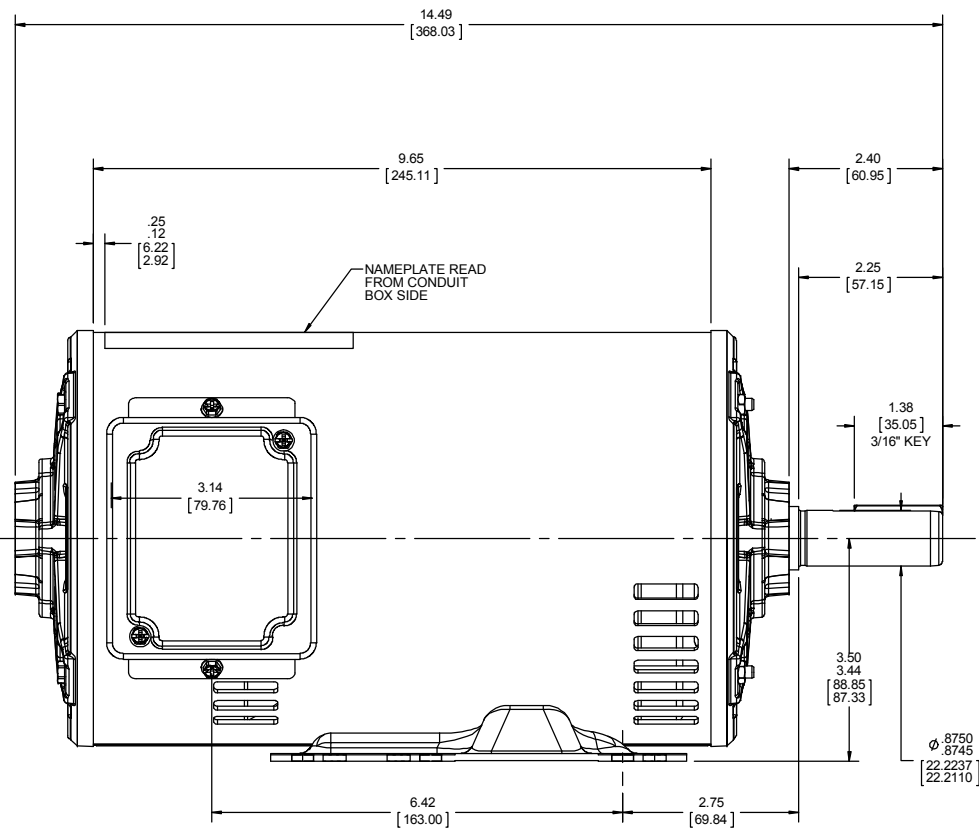
Nameplate Specifications

Output HP	2 Hp	Output KW	1.5 kW
Frequency	60 Hz	Voltage	208 V
Current	6.6 A	Speed	1750 rpm
Service Factor	1.15	Phase	3
Efficiency	86.5 %	Power Factor	74.5
Duty	Continuous	Insulation Class	B
Design Code	B	KVA Code	N
Frame	145T	Enclosure	Drip Proof
Thermal Protection	No Protection	Ambient Temperature	40 °C
Drive End Bearing Size	6203	Opp Drive End Bearing Size	6203
UL	Recognized	CSA	Y
CE	Y	IP Code	22
Number of Speeds	1		


Technical Specifications

Electrical Type	Squirrel Cage Induction Run	Starting Method	Across The Line
Poles	4	Rotation	Reversible
Resistance Main	6.4 Ohms	Mounting	Rigid Base
Motor Orientation	Horizontal	Drive End Bearing	Ball
Opp Drive End Bearing	Ball	Frame Material	Rolled Steel
Shaft Type	T	Overall Length	14.49 in
Shaft Diameter	0.875 in	Shaft Extension	2.25 in
Assembly/Box Mounting	F1 ONLY		
Outline Drawing	OL56100251-001	Connection Drawing	CDTS112

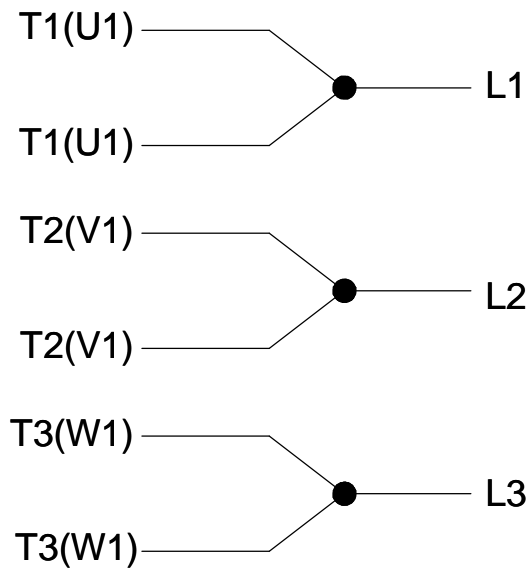
This is an uncontrolled document once printed or downloaded and is subject to change without notice. Date Created:09/15/2022



- NOTES:
 1. CONDUIT BOX CAN BE ROTATED 180°.
 2. REMOVABLE BASE

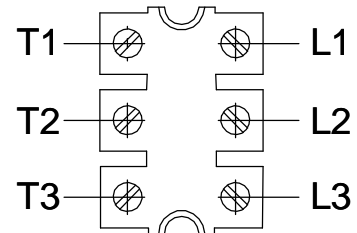
DRAWING REVISION B	REVISION BY D SURYAWANSHI	DATE 04/16/2019	TOLERANCES UNLESS OTHERWISE SPECIFIED: DEC. INCH mm ANGLE X ±0.1 [±2.5] ±0.5° XX ±0.02 [±0.51] XXX ±0.005 [±0.127] .XXXX ±0.0005 [±0.0127] REMOVE BURRS & BREAK SHARP EDGES: .0031 [0.0762] X 45° CORNER FILLETS: R.02 [0.51] MACHINED SURFACES: 125 / 32 INCH/ mm SHOWN IN (BRACKETS) m/ in	DRAWN BY E VILLA	 Regal Beloit America, Inc.
ECO-0165456	APPROVED BY	DATE	DATE 05-10-2017	DESCRIPTION OUTLINE OUTLINE,56-140FR,DP,RIGID	
ECO DESCRIPTION UPDATED MOTOR ASSY			APPROVED BY	REFERENCE	MATERIAL
<small>COPYRIGHT REGAL BELOIT AMERICA, INC. ALL RIGHTS RESERVED. PROPRIETARY AND CONFIDENTIAL INFORMATION. THIS DOCUMENT IS THE PROPERTY OF REGAL BELOIT AMERICA, INC. FORMERLY AND CONTAINS OWNERS PROPRIETARY INFORMATION. ANY PERSON, CORPORATION OR OTHER FIRM RECEIVING IT IS DEMAND BY RECEIVING IT, TO AGREE THAT IT, AND/OR ANY PART OF IT, SHALL NOT BE DISCLOSED TO ANY PERSON, CORPORATION OR OTHER ENTITY, DUPLICATED, AND/OR USED, EXCEPT AS EXPRESSLY APPROVED IN WRITING IN ADVANCE BY OWNER. THIS DOCUMENT SHALL BE RETURNED TO OWNER UPON REQUEST. IT MAY BE SUBJECT TO CERTAIN RESTRICTIONS UNDER APPLICABLE EXPORT CONTROL LAWS AND REGULATIONS.</small>			DATE	THIRD ANGLE PROJECTION	SIZE C
			THIRD ANGLE PROJECTION	DRAWING NUMBER OL56100251-001	PROCESS/FINISH
				SHEET 1 OF 1	

IF MOTOR HAS 6 LEADS

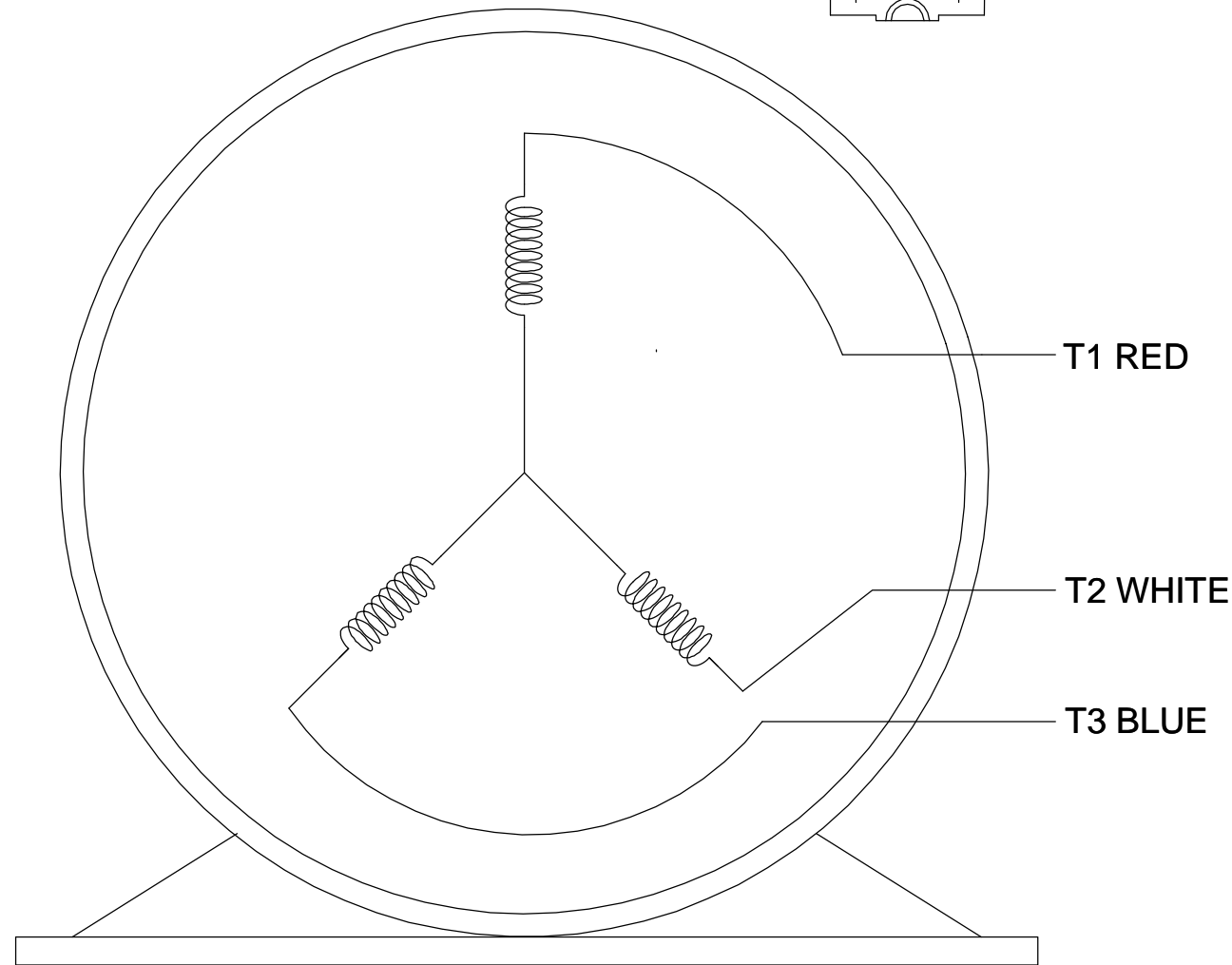
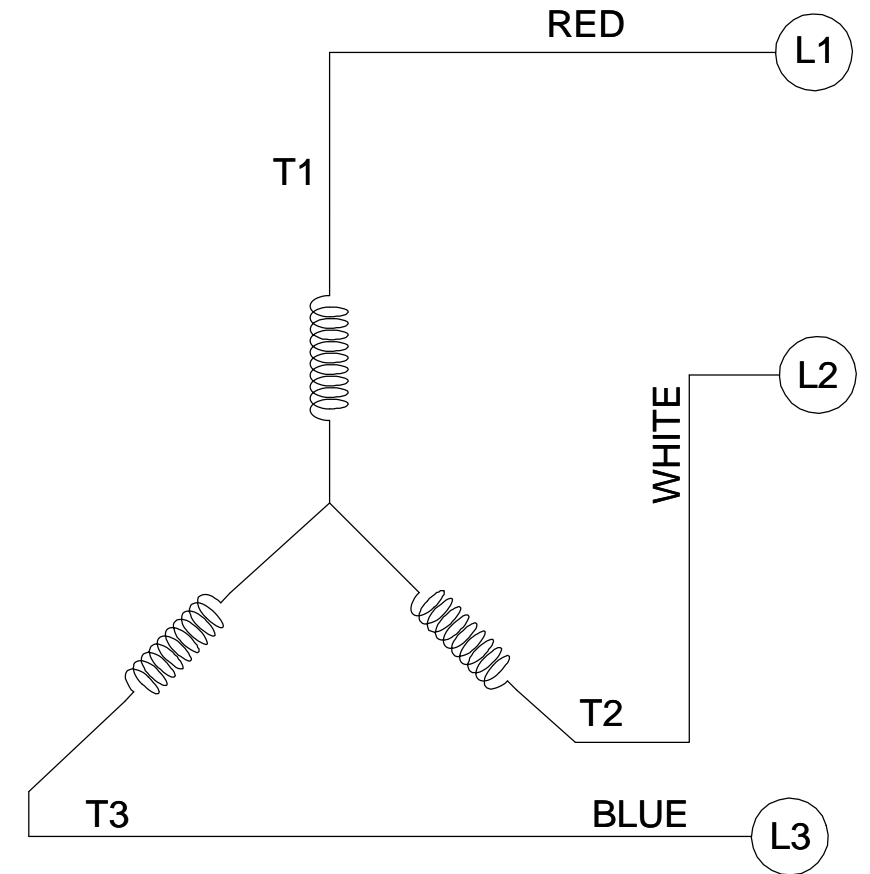


A- 9806 DECAL

TERMINAL BLOCK WHEN SPECIFIED



CCW HIGH VOLTAGE



VIEW OF TERMINAL END

NOTES:

1. TO REVERSE ROTATION, INTERCHANGE ANY TWO LINE CONNECTIONS TO L1, L2, OR L3.
2. CONNECTION DIAGRAM-NAMEPLATE: DD10040-001.

DRAWING REVISION A	REVISION BY G. RODRIGUEZ	DATE 03-20-2018
ECO ECO-0142578	APPROVED BY J. A. MORENO	DATE 03-20-2018
ECO DESCRIPTION NEW RELEASE		
<small>COPYRIGHT REGAL BELOIT AMERICA, INC. ALL RIGHTS RESERVED. PROPRIETARY AND CONFIDENTIAL INFORMATION - THIS DOCUMENT IS THE PROPERTY OF REGAL BELOIT AMERICA, INC. ("OWNER") AND CONTAINS OWNER'S PROPRIETARY INFORMATION. ANY PERSON, CORPORATION OR OTHER FIRM RECEIVING IT IS DEEMED, BY RECEIVING IT, TO AGREE THAT IT, AND/OR ANY PART OF IT, SHALL NOT BE DISCLOSED TO ANY PERSON, CORPORATION OR OTHER ENTITY, DUPLICATED, AND/OR USED, EXCEPT AS EXPRESSLY APPROVED IN WRITING IN ADVANCE BY OWNER. THIS DOCUMENT SHALL BE RETURNED TO OWNER UPON REQUEST. IT MAY BE SUBJECT TO CERTAIN RESTRICTIONS UNDER APPLICABLE EXPORT CONTROL LAWS AND REGULATIONS.</small>		

TOLERANCES UNLESS OTHERWISE SPECIFIED:		
DEC.	INCH	mm
.X	±0.1	[±2.5]
.XX	±0.01	[±0.25]
.XXX	±0.005	[±0.127]
.XXXX	±0.0005	[±0.0127]
REMOVE BURRS & BREAK SHARP		
EDGES: .003/.015 [.076/.381]		
CORNER FILLETS: .02 [.51]		
MACHINED SURFACES: 125 ^{3.2} /mm ⁵ /INCH		
mm SHOWN IN [BRACKETS]		

DRAWN BY G. RODRIGUEZ	DATE 03-20-2018
APPROVED BY J. A. MORENO	DATE 03-20-2018
REFERENCE SKT52A105383CA	THIRD ANGLE PROJECTION

REGAL ™ Regal Beloit America, Inc.	
DESCRIPTION CONN DIAGRAM-EXTERNAL	
MATERIAL	PROCESS/FINISH
SIZE B	DRAWING NUMBER CDTS112
SHEET 1 OF 1	

CERTIFICATION DATA SHEET

Model#: 145TTDR16356 AA
CONN. DIAGRAM: CDTS112
OUTLINE: OL56100251-001

WINDING#: ZT4260 NONE 3
ASSEMBLY: F1 ONLY

TYPICAL MOTOR PERFORMANCE DATA

HP	KW	SYNC. RPM	F.L. RPM	FRAME	ENCLOSURE	KVA CODE	DESIGN
2	1.49	1800	1750	145T	DP	N	B

PH	Hz	VOLTS	FL AMPS	START TYPE	DUTY	INSL	S.F	AMB°C	ELEVATION
3	60	208	6.6	ACROSS THE LINE	CONTINUOUS	B3	1.15	40	3300

FULL LOAD EFF: 86.5	3/4 LOAD EFF: 85.8	1/2 LOAD EFF: 82.8	GTD. EFF	ELEC. TYPE	NO LOAD AMPS
FULL LOAD PF: 74.5	3/4 LOAD PF: 65.3	1/2 LOAD PF: 53.8	84	SQ CAGE IND RUN	3.9

F.L. TORQUE	LOCKED ROTOR AMPS	L.R. TORQUE	B.D. TORQUE	F.L. RISE°C
6 LB-FT	62.8	24.1 LB-FT 402	30.7 LB-FT 512	38

SOUND PRESSURE @ 3 FT.	SOUND POWER	ROTOR WK^2	MAX. WK^2	SAFE STALL TIME	STARTS /HOUR	APPROX. MOTOR WGT
56 dBA	66 dBA	0.09 LB-FT^2	12 LB-FT^2	15 SEC.	2	45.4 LBS.

***** SUPPLEMENTAL INFORMATION *****

DE BRACKET TYPE	ODE BRACKET TYPE	MOUNT TYPE	ORIENTATION	SEVERE DUTY	HAZARDOUS LOCATION	DRIP COVER	SCREENS	PAINT
STANDARD	STANDARD	RIGID	HORIZONTAL	FALSE	NONE	FALSE	NONE	BLUE (POWDER)

BEARINGS		GREASE	SHAFT TYPE	SPECIAL DE	SPECIAL ODE	SHAFT MATERIAL	FRAME MATERIAL
DE	OPE						
BALL	BALL	POLYREX EM	T	NONE	NONE	1144 STRESSPROOF (C-223)	ROLLED STEEL
-	-						

THERMO-PROTECTORS				THERMISTORS	CONTROL	SPACE /n HEATERS
THERMOSTATS	PROTECTORS	WDG RTDs	BRG RTDs			
NONE	NOT	NONE	NONE	NONE	FALSE	NONE VOLTS

If Inverter equals NONE, contact factory for further information

*
N
O
T
E
S
*

INVERTER TORQUE: NONE
INV. HP SPEED RANGE: NONE
ENCODER: NONE
NONE NONE
NONE NONE PPR
BRAKE: NONE NONE
NONE P/N NONE
NONE NONE
NONE FT-LB NONE V NONE Hz

DATE: 07/03/2017 01:47:41 AM
 FORM 3531 REV.3 02/07/99
 ** Subject to change without notice.

Data Sheet

Date: 1/3/2019
 Customer: _____
 Attention: _____
 Submitted by: FAREEDA DUDEKULA



145TTDR16356

Submittal

Data @ 208 V

Motor Load Data

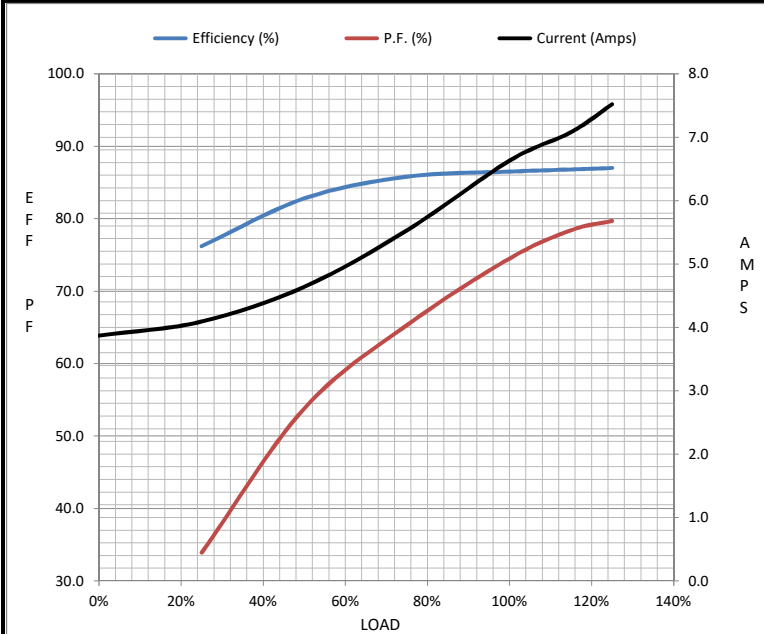
Load	0%	25%	50%	75%	100%	115%	125%	LR
Current (Amps)	3.9	4.1	4.6	5.5	6.6	7.1	7.5	62.8
Torque (ft-lb)	0.00	1.50	2.95	4.5	6.0	7.0	7.6	24.1
RPM	1800	1789	1778	1765	1750	1,745	1740	0
Efficiency (%)		76.2	82.8	85.8	86.5	86.8	87.0	
P.F. (%)	7.9	33.9	53.8	65.3	74.5	78.4	79.7	71.5

Motor Speed Data

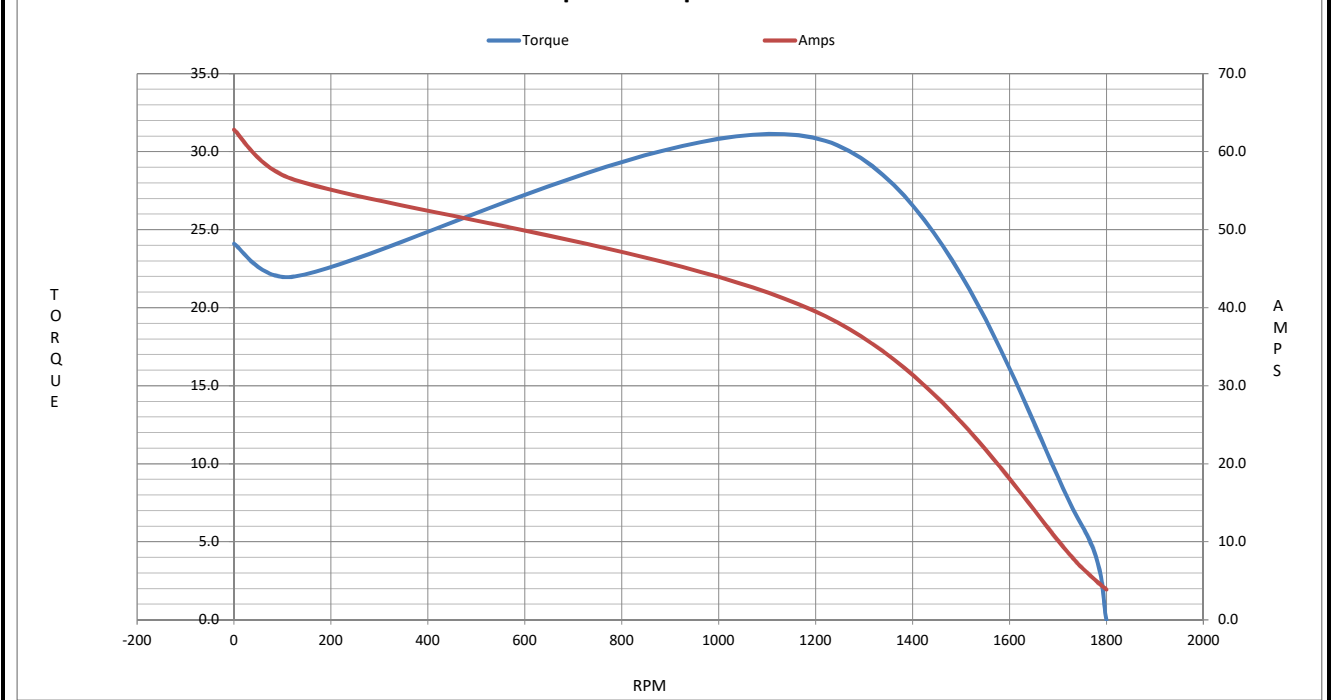
	LR	Pull-Up	BD	Rated	Idle
Speed (RPM)	0	125	1220	1750	1800
Current (Amps)	62.8	56.4	38.9	6.6	3.9
Torque (ft-lb)	24.1	22.0	30.7	6.0	0.00

Information Block

HP	2.0			
Sync. RPM	1800			
Frame	145			
Enclosure	DP			
Construction	TDR			
Voltage	208 V			
Frequency	60 Hz			
Design	B			
LR Code letter	N			
Service Factor	1.15			
Temp Rise @ FL	38 °C			
Duty	CONT			
Ambient	40 °C			
Elevation	3300 feet			
Rotor/Shaft wk ²	0.09 Lb-Ft ²			
Ref Wdg	ZT4260 NONE			
Sound Pressure @ 1M	56 dBA			
VFD Rating	NONE			
Outline Dwg	NONE			
Conn. Diag	A-EE7300			
Additional Specifications:				
0				
0				
EQUIV CKT (OHMS / PHASE)				
R1	R2	X1	X2	Xm
0.8420	0.6680	1.2770	1.1610	33.3890



Speed - Torque Curve



EC Declaration of Conformity

The undersigned representing
the manufacturer:

Regal Beloit America
100 East Randolph St.
Wausau, WI 54401

and the authorized representative
established within the Community:

Marathon Electric UK
6F Thistleton Road Ind. Estate
Market Overton
Oakham, Rutland LE15 7PP UK

are committed to providing customers with products that comply with applicable regulations and international protocols to which they are subject, including the requirements of the European Parliament Directive on the Harmonization of the laws relating to electrical equipment designed for use within certain voltage limits (2014/35/EU).

Regal Beloit America declares that the following product(s), to which this declaration relates, are in conformity with the relevant sections of the EC standards listed below.

This statement supersedes any statements previously issued pertaining to the product(s) listed below and is subject to change without notice.

Model No : 145TTDR16356

(Model No. may contain prefix and/or suffix characters)

Catalog No : E903A

Rework No : N/A

Directives :

Low Voltage Directive 2014/35/EU

Harmonized Standards Used :

EN 60034-1: 2010 (IEC 60034-1: 2010)

EN 60034-5: 2001/A1:2007 (IEC 60034-5: 2000/A1:2006)

Authorized Representative:



Michael A. Logsdon
Vice President, Technology

Authorized Representative in the Community:



Julian Clark
Marketing Engineer

Created on 09/01/2022

CE 22