

PRODUCT INFORMATION PACKET

Model No: 145TTDR16061

Catalog No: E913A

General Purpose Motor, 1.50 HP, 3 Ph, 60 Hz, 575 V, 1800 RPM, 145T Frame, DP



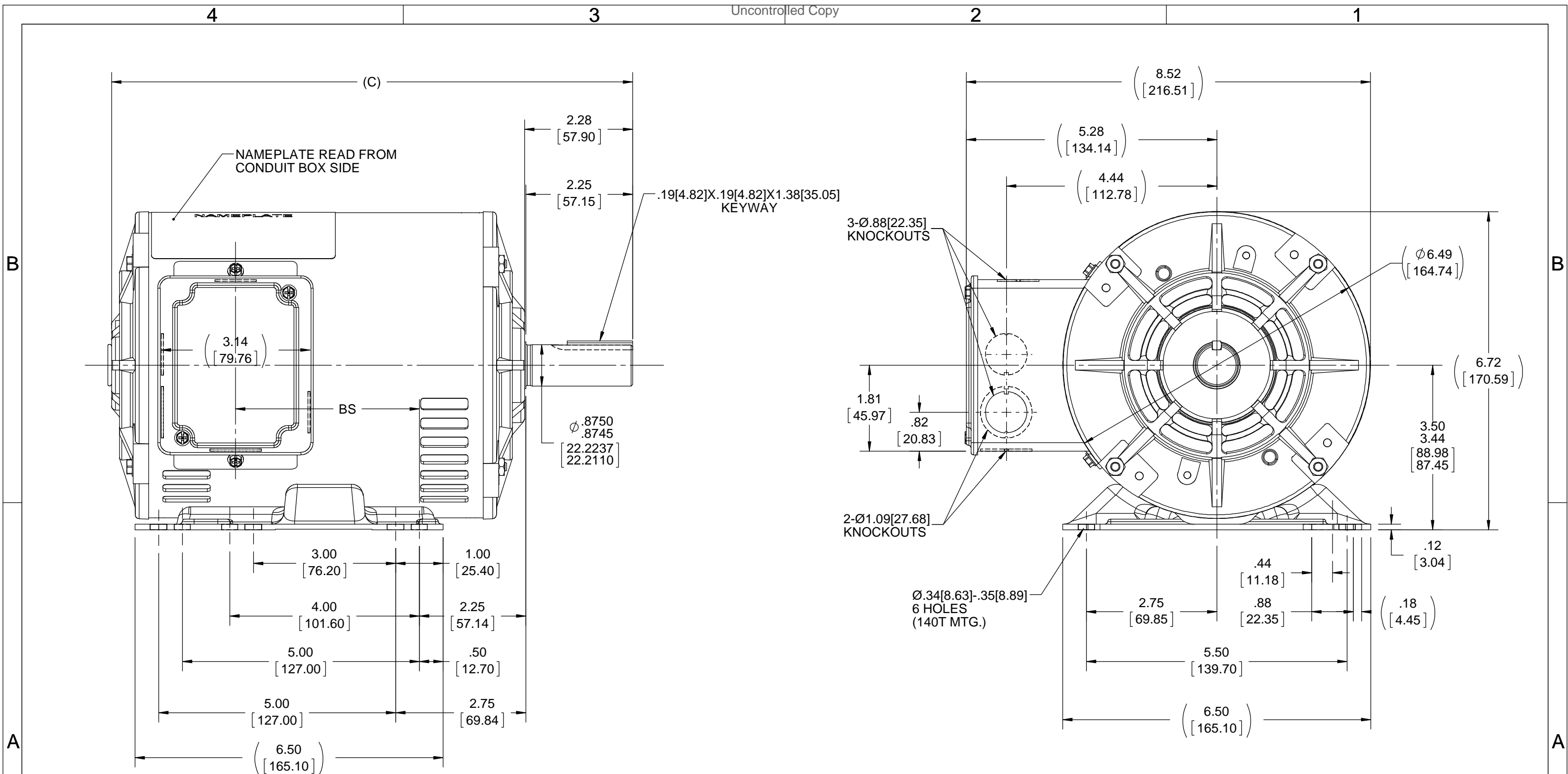
Regal and are trademarks of Regal Rexnord Corporation or one of its affiliated companies.
©2022 Regal Rexnord Corporation, All Rights Reserved. MC017097E

Nameplate Specifications

Output HP	1.50 Hp	Output KW	1.1 kW
Frequency	60 Hz	Voltage	575 V
Current	1.8 A	Speed	1755 rpm
Service Factor	1.15	Phase	3
Efficiency	86.5 %	Power Factor	75
Duty	Continuous	Insulation Class	B
Design Code	B	KVA Code	M
Frame	145T	Enclosure	Drip Proof
Thermal Protection	No Protection	Ambient Temperature	40 °C
Drive End Bearing Size	6205	Opp Drive End Bearing Size	6203
UL	Recognized	CSA	Y
CE	Y	IP Code	22
Number of Speeds	1		

Technical Specifications

Electrical Type	Squirrel Cage Inverter Rated	Starting Method	Line Or Inverter
Poles	4	Rotation	Reversible
Resistance Main	8.64 Ohms	Mounting	Rigid Base
Motor Orientation	Horizontal	Drive End Bearing	Ball
Opp Drive End Bearing	Ball	Frame Material	Rolled Steel
Shaft Type	T	Overall Length	12.99 in
Frame Length	9.06 in	Shaft Diameter	0.875 in
Shaft Extension	2.28 in	Assembly/Box Mounting	F1 ONLY
Inverter Load	CONSTANT 10:1		
Connection Drawing	A-EE7300	Outline Drawing	A-100085-906



NOTES:
1. CONDUIT BOX CAN BE ROTATED 180°.

DASH NO.	"C"	"BS"
706	10.99[279.14]	3.87[98.29]
756	11.49[291.84]	4.37[110.99]
806	11.99[304.54]	4.87[123.69]
856	12.49[317.24]	5.37[136.39]
906	12.99[329.94]	5.87[149.09]
956	13.49[342.64]	6.37[161.79]

DRAWING REVISION	REVISION BY	DATE
E	A. KEETHA	01-09-2018
ECO-0143026	APPROVED BY PST	DATE 04/11/2018
ECO DESCRIPTION		
OUTLINE CONVERSION PROJECT		
<small>COPYRIGHT REGAL BELOIT AMERICA, INC. ALL RIGHTS RESERVED. PROPRIETARY AND CONFIDENTIAL INFORMATION - THIS DOCUMENT IS THE PROPERTY OF REGAL BELOIT AMERICA, INC. ("OWNER") AND CONTAINS OWNER'S PROPRIETARY INFORMATION. ANY PERSON, CORPORATION OR OTHER FIRM RECEIVING IT IS DEEMED, BY RECEIVING IT, TO AGREE THAT IT, AND/OR ANY PART OF IT, SHALL NOT BE DISCLOSED TO ANY PERSON, CORPORATION OR OTHER ENTITY, DUPLICATED, AND/OR USED, EXCEPT AS EXPRESSLY APPROVED IN WRITING IN ADVANCE BY OWNER. THIS DOCUMENT SHALL BE RETURNED TO OWNER UPON REQUEST. IT MAY BE SUBJECT TO CERTAIN RESTRICTIONS UNDER APPLICABLE EXPORT CONTROL LAWS AND REGULATIONS.</small>		

TOLERANCES UNLESS OTHERWISE SPECIFIED:			
DEC.	INCH	mm	ANGLE
.X	± 0.1	[± 2.5]	$\pm 7' 30"$
.XX	± 0.03	[± 0.76]	
.XXX	± 0.005	[± 0.127]	
.XXXX	± 0.0005	[± 0.0127]	
REMOVE BURRS & BREAK SHARP EDGES: .003/.015 [0.076/.381] X 45° CORNER FILLETS: R.02 [0.51] MACHINED SURFACES: 200 INCH/mm 5.1 mm SHOWN IN [BRACKETS]			

DRAWN BY		REGAL™ Regal Beloit America, Inc.	
GK		DESCRIPTION	
DATE	02-04-1988	OUTLINE	
APPROVED BY	FG	140T & 56HZ - DR.PR.	
DATE	02-04-1998	MATERIAL	PROCESS/FINISH
REFERENCE	100085	SIZE	DRAWING NUMBER
THIRD ANGLE PROJECTION		B	100085
		SHEET	1 OF 1

THREE PHASE - SINGLE VOLTAGE
MOTOR - CONDUIT BOX @ 'A'

TERMINAL BLOCK WHEN SPECIFIED

TO REVERSE ROTATION:
INTERCHANGE ANY TWO LINE
LEAD CONNECTIONS



VIEW OF TERMINAL END

OPTIONAL CORD CONNECTION

L1	WHITE
L2	RED
L3	BLACK

DRAWING REVISION AC	REVISION BY BS	REV DATE/© DATE 26/07/2022
REQUEST NUMBER CR-0010402	APPROVED BY SN	DATE 26/07/2022
REQUEST NUMBER DESCRIPTION DRAWING UPDATED		
<small>COPYRIGHT (PER REVISION DATE) REGAL BELOIT AMERICA, INC. ALL RIGHTS RESERVED. PROPRIETARY AND CONFIDENTIAL INFORMATION - THIS DOCUMENT IS THE PROPERTY OF REGAL BELOIT AMERICA, INC. ("OWNER") AND CONTAINS OWNER'S PROPRIETARY INFORMATION. ANY PERSON, CORPORATION OR OTHER FIRM RECEIVING IT IS DEEMED, BY RECEIVING IT, TO AGREE THAT IT, AND/OR ANY PART OF IT, SHALL NOT BE DISCLOSED TO ANY PERSON, CORPORATION OR OTHER ENTITY, DUPLICATED, AND/OR USED, EXCEPT AS EXPRESSLY APPROVED IN WRITING IN ADVANCE BY OWNER. THIS DOCUMENT SHALL BE RETURNED TO OWNER UPON REQUEST. IT MAY BE SUBJECT TO CERTAIN RESTRICTIONS UNDER APPLICABLE EXPORT CONTROL LAWS AND REGULATIONS.</small>		

PRIMARY DIMENSIONS ARE INCH
mm DIMENSIONS IN [BRACKETS]
ARE FOR REFERENCE ONLY

DRAWN BY DA
DATE 03-26-1993
APPROVED BY TB
DATE 03-26-1993
REFERENCE
THIRD ANGLE PROJECTION

		Regal Beloit America, Inc.	
DESCRIPTION CONNECTION DIAGRAM EXTERNAL - SINGLE VOLTAGE - 3Ø MOTOR			
MATERIAL		PROCESS/FINISH	
SIZE A	DRAWING NUMBER EE7300		SHEET 1 OF 1

CERTIFICATION DATA SHEET

Model#: 145TTDR16061 AA
CONN. DIAGRAM: A-EE7300
OUTLINE: A-100085-906

WINDING#: ZT4258 NONE 2
ASSEMBLY: F1 ONLY

TYPICAL MOTOR PERFORMANCE DATA

HP	KW	SYNC. RPM	F.L. RPM	FRAME	ENCLOSURE	KVA CODE	DESIGN
1 1/2	1.12	1800	1755	145T	DP	M	B

PH	Hz	VOLTS	FL AMPS	START TYPE	DUTY	INSL	S.F	AMB°C	ELEVATION
3	60	575	1.8	LINE OR INVERTER	CONTINUOUS	B3	1.15	40	3300

FULL LOAD EFF: 86.5	3/4 LOAD EFF: 86	1/2 LOAD EFF: 83.8	GTD. EFF	ELEC. TYPE	NO LOAD AMPS
FULL LOAD PF: 75	3/4 LOAD PF: 67	1/2 LOAD PF: 54.5	84	SQ CAGE INV RATED	1

F.L. TORQUE	LOCKED ROTOR AMPS	L.R. TORQUE	B.D. TORQUE	F.L. RISE°C
4.5 LB-FT	15.8	16.65 LB-FT 370	21.65 LB-FT 481	32

SOUND PRESSURE @ 3 FT.	SOUND POWER	ROTOR WK^2	MAX. WK^2	SAFE STALL TIME	STARTS /HOUR	APPROX. MOTOR WGT
56 dBA	66 dBA	0 LB-FT^2	10 LB-FT^2	20 SEC.	2	43 LBS.

***** SUPPLEMENTAL INFORMATION *****

DE BRACKET TYPE	ODE BRACKET TYPE	MOUNT TYPE	ORIENTATION	SEVERE DUTY	HAZARDOUS LOCATION	DRIP COVER	SCREENS	PAINT
STANDARD	STANDARD	RIGID	HORIZONTAL	FALSE	NONE	FALSE	NONE	BLUE (POWDER)

BEARINGS		GREASE	SHAFT TYPE	SPECIAL DE	SPECIAL ODE	SHAFT MATERIAL	FRAME MATERIAL
DE	OPE						
BALL	BALL	POLYREX EM	T	NONE	NONE	1144 STRESSPROOF (C-223)	ROLLED STEEL
6205	6203						

THERMO-PROTECTORS				THERMISTORS	CONTROL	SPACE /n HEATERS
THERMOSTATS	PROTECTORS	WDG RTDs	BRG RTDs			
NONE	NOT	NONE	NONE	NONE	FALSE	NONE VOLTS

If Inverter equals NONE, contact factory for further information

*
N
O
T
E
S
*

INVERTER TORQUE: CONSTANT 10:1 INV. HP SPEED RANGE: NONE
ENCODER: NONE NONE NONE NONE NONE PPR
BRAKE: NONE NONE NONE P/N NONE NONE NONE - FT-LB NONE V NONE Hz

DATE: 06/23/2017 04:31:31 AM
 FORM 3531 REV.3 02/07/99
 ** Subject to change without notice.

Data Sheet

Date: 6/20/2017

145TTDR16061

Customer: _____



Attention: _____

Submittal

Submitted by: FAREEDA DUDEKULA

Data @ 575 V

Motor Load Data

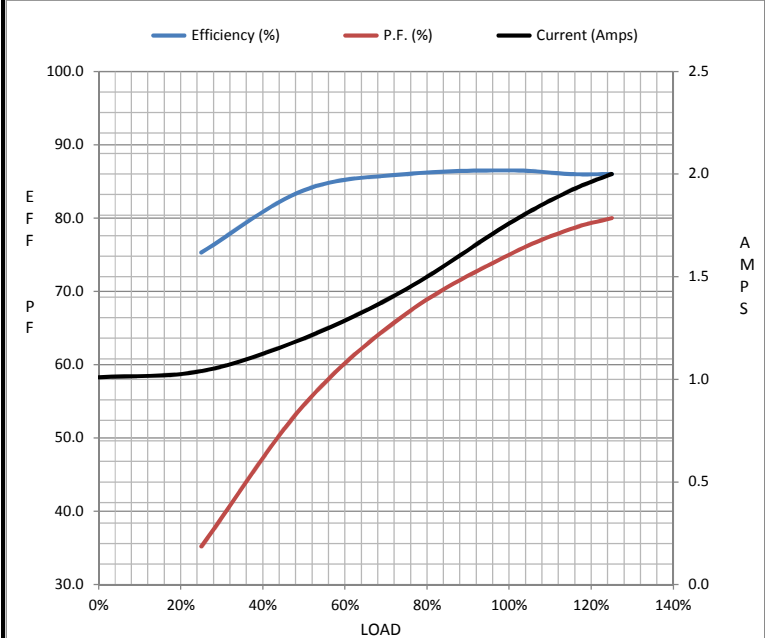
Load	0%	25%	50%	75%	100%	115%	125%	LR
Current (Amps)	1.01	1.04	1.20	1.44	1.76	1.92	2.00	15.8
Torque (ft-lb)	0.00	1.10	2.20	3.4	4.5	5.2	5.7	16.7
RPM	1800	1788	1775	1765	1755	1,745	1740	0
Efficiency (%)		75.3	83.8	86.0	86.5	86.0	86.0	
P.F. (%)	9.3	35.2	54.5	67.0	75.0	78.5	80.0	68.0

Motor Speed Data

	LR	Pull-Up	BD	Rated	Idle
Speed (RPM)	0	120	1220	1755	1800
Current (Amps)	15.8	16.2	10.5	1.76	1.01
Torque (ft-lb)	16.7	16.6	21.7	4.5	0.00

Information Block

HP	1.5
Sync. RPM	1800
Frame	145
Enclosure	DP
Construction	TDR
Voltage	575 V
Frequency	60 Hz
Design	A
LR Code letter	M
Service Factor	1.15
Temp Rise @ FL	28 °C
Duty	CONT
Ambient	40 °C
Elevation	1,000 feet
Rotor/Shaft wk ²	0.00 Lb-Ft ²
Ref Wdg	ZT4258 NONE
Sound Pressure @ 1M	56 dBA
VFD Rating	CONSTANT 10:1
Outline Dwg	A-100085-906
Conn. Diag	A-EE7300



Additional Specifications:

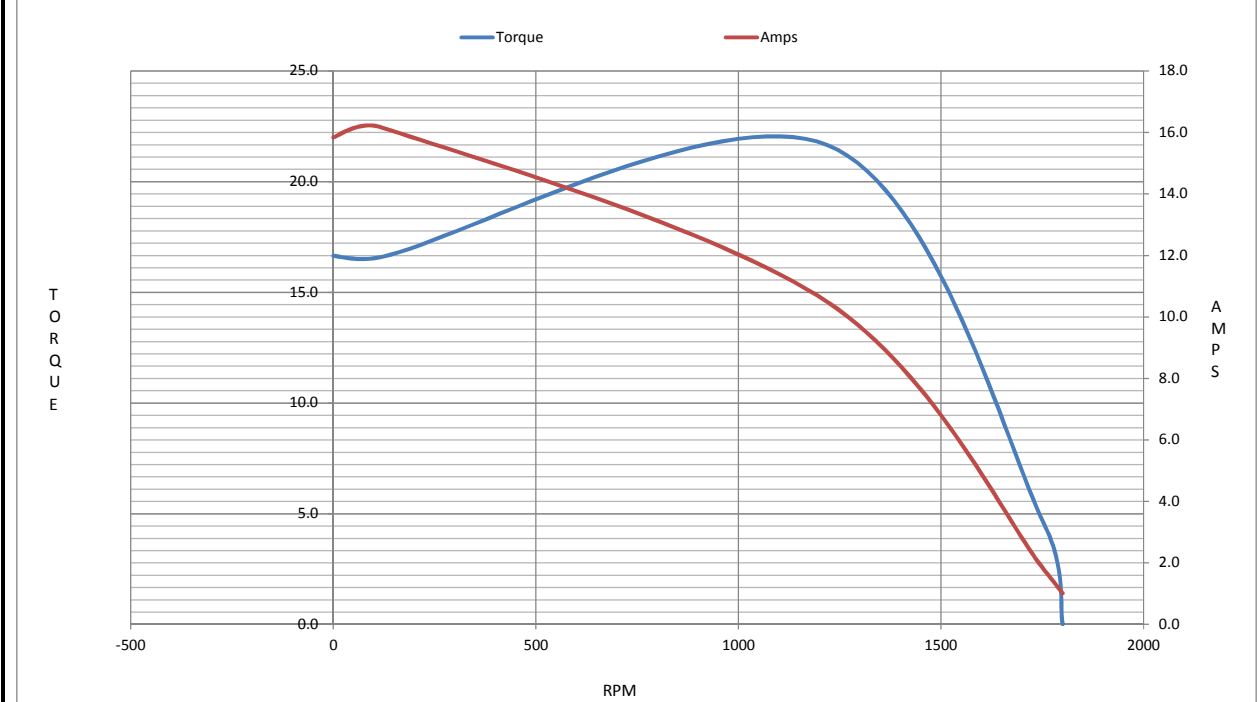
0

0

EQUIV CKT (OHMS / PHASE)

R1	R2	X1	X2	Xm
0.0000	0.0000	0.0000	0.0000	0.0000

Speed -Torque Curve



EC Declaration of Conformity

The undersigned representing
the manufacturer:

Regal Beloit America
100 East Randolph St.
Wausau, WI 54401

and the authorized representative
established within the Community:

Marathon Electric UK
6F Thistleton Road Ind. Estate
Market Overton
Oakham, Rutland LE15 7PP UK

are committed to providing customers with products that comply with applicable regulations and international protocols to which they are subject, including the requirements of the European Parliament Directive on the Harmonization of the laws relating to electrical equipment designed for use within certain voltage limits (2014/35/EU).

Regal Beloit America declares that the following product(s), to which this declaration relates, are in conformity with the relevant sections of the EC standards listed below.

This statement supersedes any statements previously issued pertaining to the product(s) listed below and is subject to change without notice.

Model No : 145TTDR16061

(Model No. may contain prefix and/or suffix characters)

Catalog No : E913A

Rework No : N/A

Directives :

Low Voltage Directive 2014/35/EU

Harmonized Standards Used :

EN 60034-1: 2010 (IEC 60034-1: 2010)

EN 60034-5: 2001/A1:2007 (IEC 60034-5: 2000/A1:2006)

Authorized Representative:



Michael A. Logsdon
Vice President, Technology

Authorized Representative in the Community:



Julian Clark
Marketing Engineer

Created on 09/01/2022

CE 22