

BALDOR® • RELIANCE 

Product Information Packet

ECP3587T

2HP,1755RPM,3PH,60HZ,145T,0535M,TEFC,F1

Part Detail							
Revision:	AB	Status:	PRD/A	Change #:		Proprietary:	No
Type:	AC	Elec. Spec:	05WGX009	CD Diagram:	CD0005	Mfg Plant:	
Mech. Spec:	05F008	Layout:	05LYF008	Poles:	04	Created Date:	12-29-2008
Base:	RG	Eff. Date:	06-11-2021	Leads:	9#18		

Specs			
Catalog Number:	ECP3587T	Insulation Class:	F
Enclosure:	TEFC	Inverter Code:	Inverter Ready
Frame:	145T	KVA Code:	L
Frame Material:	Iron	Lifting Lugs:	Standard Lifting Lugs
Output @ Frequency:	2.000 HP @ 60 HZ	Locked Bearing Indicator:	No Locked Bearing
Synchronous Speed @ Frequency:	1800 RPM @ 60 HZ	Motor Lead Quantity/Wire Size:	9 @ 18 AWG
Voltage @ Frequency:	460.0 V @ 60 HZ	Motor Lead Exit:	Ko Box
	230.0 V @ 60 HZ	Motor Lead Termination:	Flying Leads
XP Class and Group:	CLI GP A,B,C,D	Motor Type:	0534M
XP Division:	Division II	Mounting Arrangement:	F1
Agency Approvals:	UR	Power Factor:	75
	CSA EEV	Product Family:	Chemical Processing (Not DC)
	CSA	Pulley End Bearing Type:	Ball
Auxillary Box:	No Auxillary Box	Pulley Face Code:	Standard
Auxillary Box Lead Termination:	None	Pulley Shaft Indicator:	Standard
Base Indicator:	Rigid	Rodent Screen:	None
Bearing Grease Type:	Polyrex EM (-20F +300F)	RoHS Status:	ROHS COMPLIANT
Blower:	None	Shaft Extension Location:	Pulley End

Constant Torque Speed Range:	1.5	Shaft Ground Indicator:	No Shaft Grounding
Current @ Voltage:	2.800 A @ 460.0 V	Shaft Rotation:	Reversible
	5.600 A @ 230.0 V	Shaft Slinger Indicator:	Shaft Slinger
	6.000 A @ 208.0 V	Speed Code:	Single Speed
Design Code:	B	Motor Standards:	NEMA
Drip Cover:	No Drip Cover	Starting Method:	Direct on line
Duty Rating:	CONT	Thermal Device - Bearing:	None
Electrically Isolated Bearing:	Not Electrically Isolated	Thermal Device - Winding:	None
Feedback Device:	NO FEEDBACK	Vibration Sensor Indicator:	No Vibration Sensor
Front Face Code:	Standard	Winding Thermal 1:	None
Front Shaft Indicator:	None	Winding Thermal 2:	None
Heater Indicator:	No Heater	XP Temp Code:	T4

Nameplate NP3258E			
CAT.NO.	ECP3587T		
SPEC.	05F008X009G1		
HP	2	TE	
VOLTS	230/460		
AMP	5.6/2.8		
RPM	1755		
FRAME	145T	HZ	60
SER.F.	1.15	CODE	L DES B
RATING	40C AMB-CONT		
SN			
DE	6205	ODE	6205
NEMA-NOM-EFF	88.5	PF	75
G.MIN.EFF	86.5	CC	010A
T. CODE	T4	T=	135
		PH	3
		CL	F

Nameplate NP3261E	
SPEC.	05F008X009G1
D.E. BRG.	25BC02XP30X
O.D.E. BRG.	25BC02XP30X
GREASE	POLYREX EM
RPM MAX	2700
	MAX. KVAR N/A
BLANK	
INV. TYPE	PWM
T=	135
C HP FR	60
CT HZ FROM	1.5
VT HZ FROM	0-
HTR-VOLTS	
HTR-WATTS	
C HP TO	90
CT HZ TO	60
VT HZ TO	60
HTR-AMPS	
	MAX. SPACE HEATER TEMP.

Parts List		
Part Number	Description	Quantity
SA178729	SA 05F008X009G1	1.000 EA
RA166802	RA 05F008X009G1	1.000 EA
34FN3002B01	EXTERNAL FAN, PLASTIC, .637/.639 HUB W/	1.000 EA
HW3201A05	3/8-16 EYEBOLT	1.000 EA
06CB1000A02G	CONDUIT BOX, MACH GRAY	1.000 EA
RM1016	LEAD SEPARATOR GASKET - 305/306 C.P.MOTO	1.000 EA
51XW2520A12	SCREW, HEX SER SLT HD, ZN, 1/4-20 X .75	2.000 EA
11XW1032G06	10-32 X .38, TAPTITE II, HEX WSHR SLTD U	1.000 EA
HW3001B02	BRASS CUP WASHER W/GROUND SYMBOL TAB,	1.000 EA
10XN2520S06	1/4 20X3/8 HX HD CAP S.S.	2.000 EA
WD1000B16	T&B CX70TN OR L70P TERMINAL LUG	2.000 EA
35EP1102B03G	FREP TEFC 205 BRG,GRSR,RLF,.125 NPT DRAI	1.000 EA
HW4500A01	1641B(ALEMITE)400 UNIV, GREASE FITT	1.000 EA
HA4051A00	PLASTIC CAP FOR GREASE FITTING	1.000 EA
HW4500A17	317400 ALEMITE GREASE RELIEF	1.000 EA
HA4054	SHORT T-DRAIN FITTING, .125" N.P.T.	1.000 EA
HW5100A05	WVY WSHR F/205 & 304 BRGS	1.000 EA
35EP1102A67G	PUEP ENCL 205 BRG W/GRSR,REL F&.125 NPT D	1.000 EA
HW4500A01	1641B(ALEMITE)400 UNIV, GREASE FITT	1.000 EA
HA4051A00	PLASTIC CAP FOR GREASE FITTING	1.000 EA
HW4500A17	317400 ALEMITE GREASE RELIEF	1.000 EA
HA4054	SHORT T-DRAIN FITTING, .125" N.P.T.	1.000 EA
HA3100A37	THRUBOLT 10-32 X 8.500	4.000 EA
XY1032A02	10-32 HEX NUT DIRECTIONAL SERRATION	4.000 EA

Parts List (continued)		
Part Number	Description	Quantity
51XB1214A16	12-14X1.00 HXWSSLD SERTYB	1.000 EA
35FH1000A01G	35FH1000A01 W/GRAY FLUIDIZ	1.000 EA
WD4100A03	DE-750 HEYCO PLUG 62MP0750 MICRO PLASTIC	1.000 EA
10XN2520A18	1/4-20 X 1-1/8 HEX CAP SCREW.	3.000 EA
HW1001A25	LOCKWASHER 1/4, ZINC PLT .493 OD, .255 I	3.000 EA
HW4600B32SP	V-RING SLINGER 1.000 X 1.540 X .24 VITON	1.000 EA
06CB1502G	LIPPED CONDUIT BOX LID CAST, GRAY EPOXY	1.000 EA
06GS1003	GASKET, KOBX LID, 1/8" THICK BLACK NEOPR	1.000 EA
10XN2520A12	1/4-20 X 3/4 HEX HEAD CAP	2.000 EA
HW1001A25	LOCKWASHER 1/4, ZINC PLT .493 OD, .255 I	2.000 EA
HA1005A03SP	SLINGER, OD 1.750, ID .938, 205 BRG	1.000 EA
HW2501D13	KEY, 3/16 SQ X 1.375	1.000 EA
HA7000A01	KEY RETAINER 7/8" DIA SHAFT	1.000 EA
MJ5001A27	32220KN GRAY SEALER *MIN BUY 4 QTS=1GAL	0.001 QT
85XU0407S04	4X1/4 U DRIVE PIN STAINLESS	2.000 EA
LB1002N	LABEL,MARINE DUTY (ON ROLLS)	1.000 EA
LB1115N	LABEL,LIFTING DEVICE (ON ROLLS)	1.000 EA
MJ1000A02	GREASE, MOBIL POLYREX EM - 124047	0.050 LB
MG1025N19	WILKOFAS, 778.50, RELIANCE BLUE-GREEN	0.022 GA
LC0005E01	CONN.DIA./WARNING LABEL (LC0005/LB1119N)	1.000 EA
LB1449	DIV-2/NEC WARNING LABEL	1.000 EA
NP3258E	SS CP SUPER-E DIV-2 UL CSA-C US EEV CC	1.000 EA
NP3261E	SS CP SUPER-E AUX DATA INFORMATION	1.000 EA
85XU0407S04	4X1/4 U DRIVE PIN STAINLESS	2.000 EA

Product Information Packet: ECP3587T - 2HP,1755RPM,3PH,60HZ,145T,0535M,TEFC,F1

36PA1001	PKG GRP, PRINT PK1017A06	1.000 EA
MN416A01	TAG-INSTAL-MAINT no wire (2100/bx) 4/22	1.000 EA

Accessories		
Part Number	Description	Multiplier
35-1300	C FACE KIT	A8

AC Induction Motor Performance Data

Record # 47104

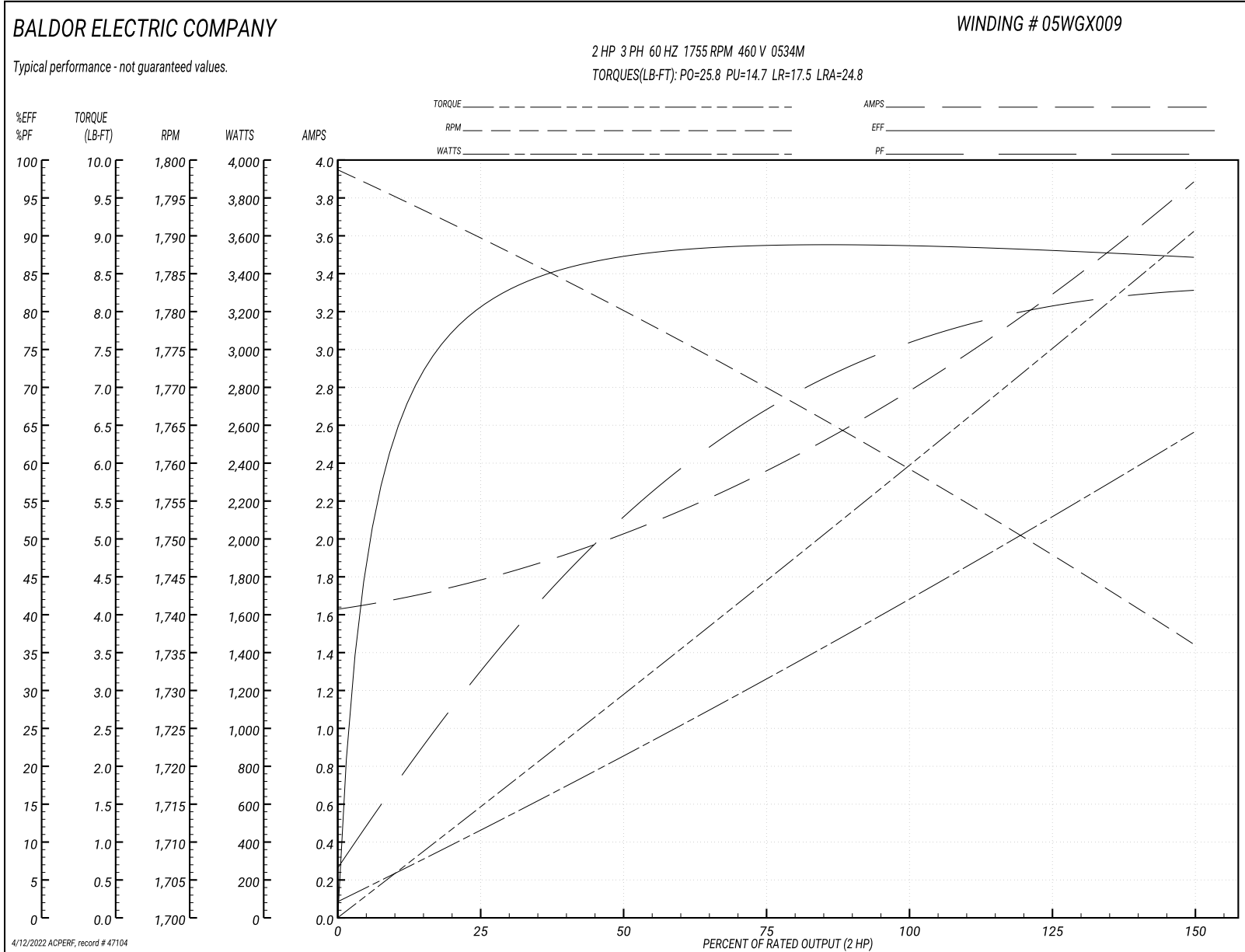
Typical performance - not guaranteed values

Winding: 05WGX009-R039		Type: 0534M		Enclosure: TEFC	
Nameplate Data			460 V, 60 Hz: High Voltage Connection		
Rated Output (HP)	2	Full Load Torque	5.99 LB-FT		
Volts	230/460	Start Configuration	direct on line		
Full Load Amps	5.6/2.8	Breakdown Torque	25.8 LB-FT		
R.P.M.	1755	Pull-up Torque	14.7 LB-FT		
Hz	60 Phase	3	Locked-rotor Torque	17.5 LB-FT	
NEMA Design Code	B KVA Code	L	Starting Current	24.8 A	
Service Factor (S.F.)	1.15		No-load Current	1.66 A	
NEMA Nom. Eff.	88.5	Power Factor	75	Line-line Res. @ 25°C	6.28 Ω
Rating - Duty	40C AMB-CONT		Temp. Rise @ Rated Load	39°C	
S.F. Amps			Temp. Rise @ S.F. Load	46°C	
			Locked-rotor Power Factor	46.5	
			Rotor inertia	0.201 LB-FT ²	

Load Characteristics 460 V, 60 Hz, 2 HP

% of Rated Load	25	50	75	100	125	150	S.F.
Power Factor	34	54	67	75	80	83	78
Efficiency	80.6	87.2	88.9	88.7	88.2	87.2	88.2
Speed	1789	1780	1770	1759	1748	1736	1748
Line amperes	1.75	2.01	2.37	2.82	3.31	3.86	3.14

Performance Graph at 460V, 60Hz, 2.0HP Typical performance - Not guaranteed values



AC Induction Motor Performance Data

Record # 47862

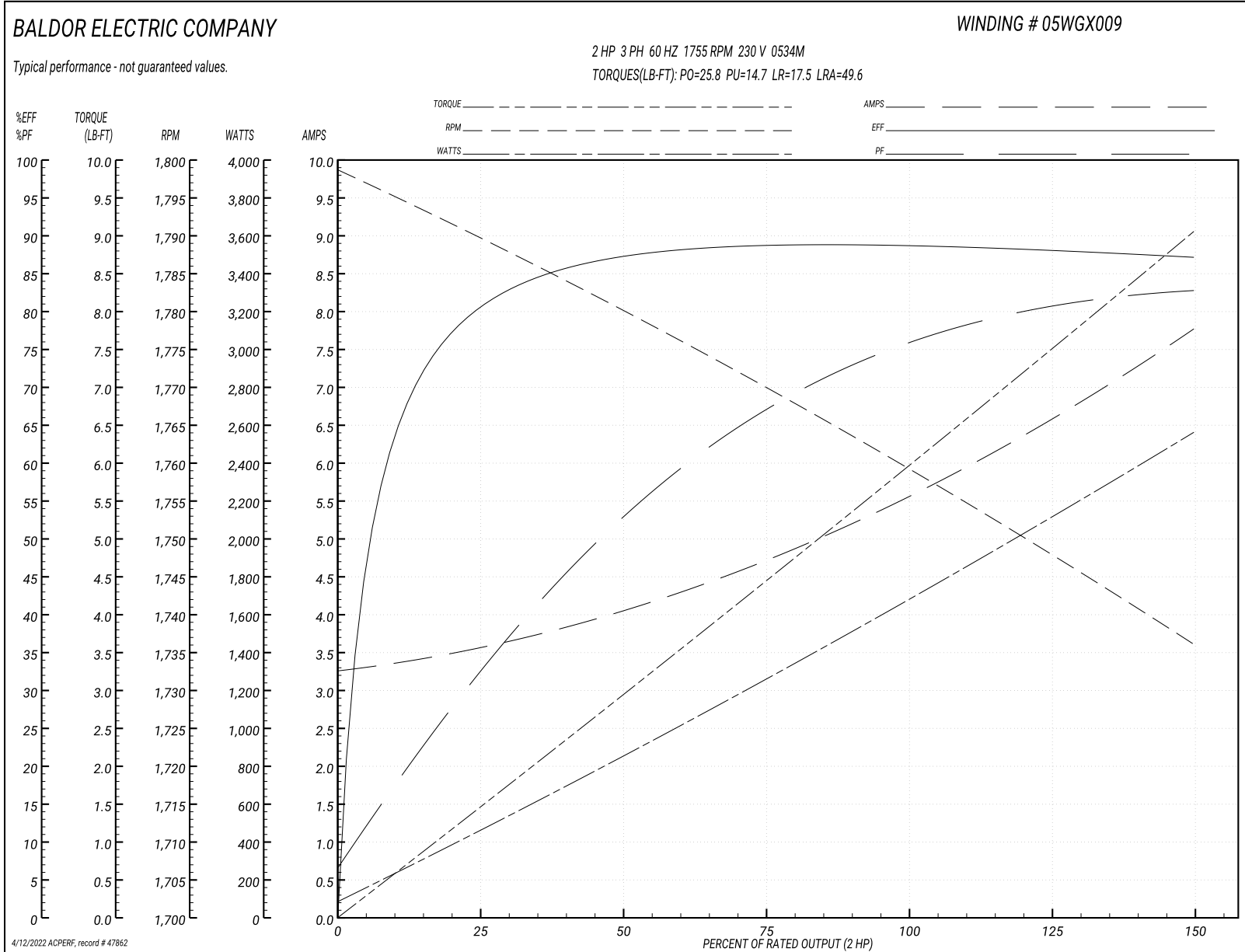
Typical performance - not guaranteed values

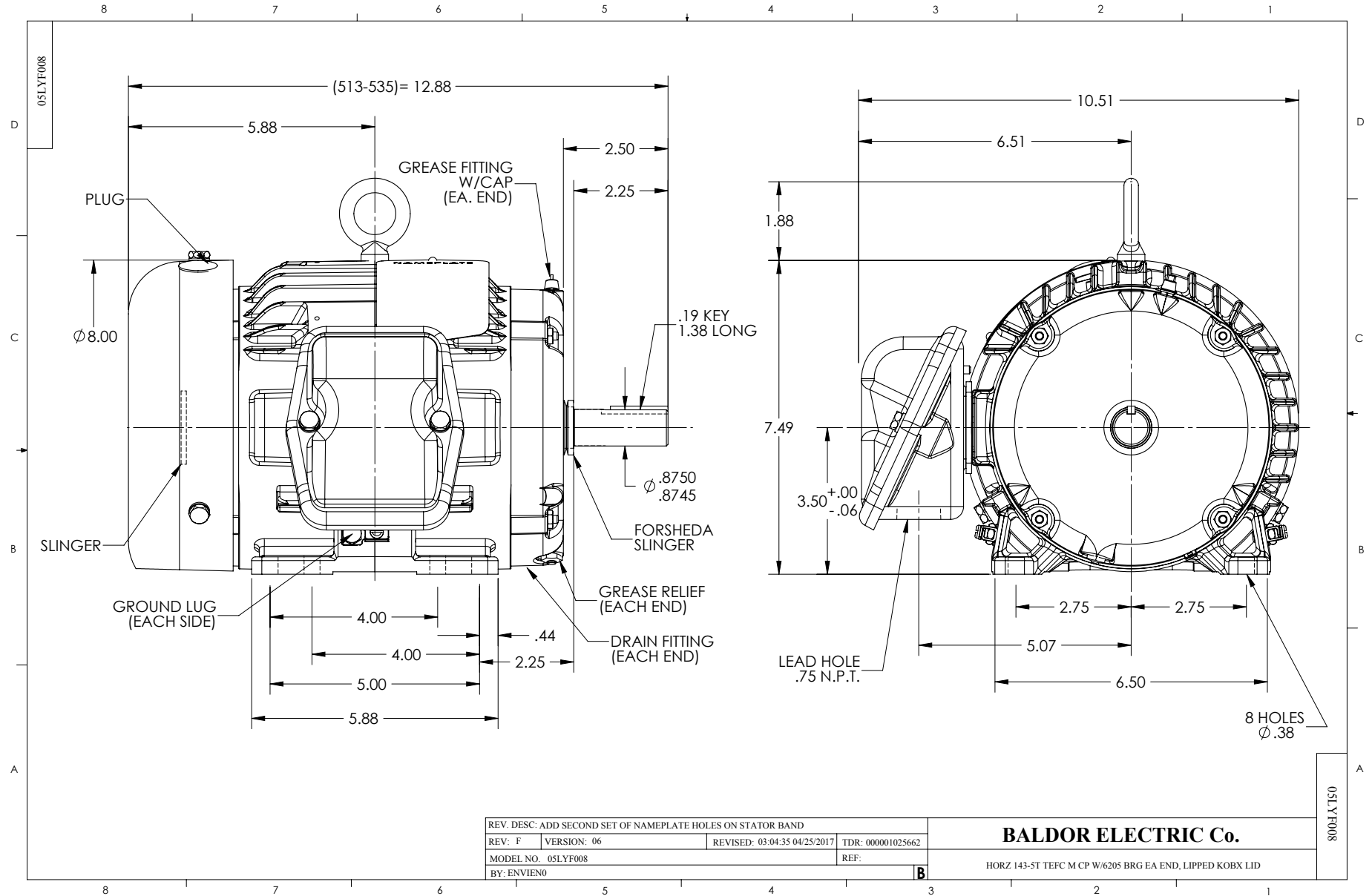
Winding: 05WGX009-R039		Type: 0534M		Enclosure: TEFC	
Nameplate Data			230 V, 60 Hz: Low Voltage Connection		
Rated Output (HP)	2	Full Load Torque	5.99 LB-FT		
Volts	230/460	Start Configuration	direct on line		
Full Load Amps	5.6/2.8	Breakdown Torque	25.8 LB-FT		
R.P.M.	1755	Pull-up Torque	14.7 LB-FT		
Hz	60 Phase	3	Locked-rotor Torque	17.5 LB-FT	
NEMA Design Code	B KVA Code	L	Starting Current	49.6 A	
Service Factor (S.F.)	1.15	No-load Current	3.32 A		
NEMA Nom. Eff.	88.5	Power Factor	75	Line-line Res. @ 25°C	1.57 Ω
Rating - Duty	40C AMB-CONT	Temp. Rise @ Rated Load	39°C		
S.F. Amps		Temp. Rise @ S.F. Load	46°C		
		Locked-rotor Power Factor	46.5		
		Rotor inertia	0.201 LB-FT ²		

Load Characteristics 230 V, 60 Hz, 2 HP

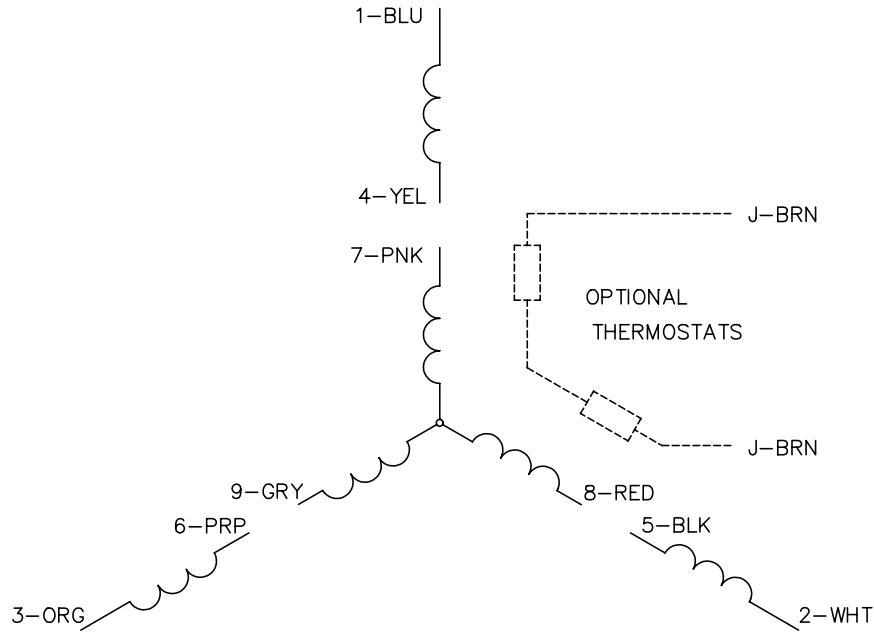
% of Rated Load	25	50	75	100	125	150	S.F.
Power Factor	34	54	67	75	80	83	78
Efficiency	80.6	87.2	88.9	88.7	88.2	87.2	88.1
Speed	1789	1780	1770	1759	1748	1736	1748
Line amperes	3.5	4.02	4.74	5.63	6.63	7.72	6.27

Performance Graph at 230V, 60Hz, 2.0HP Typical performance - Not guaranteed values

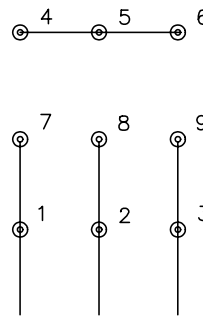




CD0005

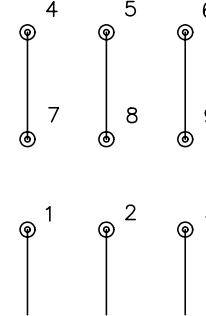


LOW VOLTAGE
(2Y)



LINE

HIGH VOLTAGE
(1Y)



LINE

NOTES:

1. INTERCHANGE ANY TWO LINE LEADS TO REVERSE ROTATION.
2. OPTIONAL THERMOSTATS ARE PROVIDED WHEN SPECIFIED.
3. ACTUAL NUMBER OF INTERNAL PARALLEL CIRCUITS MAY BE A MULTIPLE OF THOSE SHOWN ABOVE.
4. LEAD COLORS ARE OPTIONAL. LEADS MUST ALWAYS BE NUMBERED AS SHOWN.

REV. DESC: REVISE TO SHOW OPTIONAL COLORS

REV. LTR: E BY: JLP

REVISED: 01/19/99 10:15

TDR: 0171435

900003

FILE: AAA00005140

MDL: -

MTL: -

BALDOR ELECTRIC Co.

3PH, DV, 9 LEADS

CD0005