

**BALDOR® • RELIANCE** 

**Product Information Packet**

**ECP3663T-4**

**5HP,3500RPM,3PH,60HZ,184T,0634M,TEFC,F1**

Part Detail							
Revision:	Z	Status:	PRD/A	Change #:		Proprietary:	No
Type:	AC	Elec. Spec:	06WGX065	CD Diagram:	CD0006	Mfg Plant:	
Mech. Spec:	06H483	Layout:	06LYH483	Poles:	02	Created Date:	08-07-2006
Base:	RG	Eff. Date:	04-22-2021	Leads:	3#16		

Specs			
Catalog Number:	ECP3663T-4	Insulation Class:	F
Enclosure:	TEFC	Inverter Code:	Inverter Ready
Frame:	184T	KVA Code:	L
Frame Material:	Iron	Lifting Lugs:	Standard Lifting Lugs
Output @ Frequency:	5.000 HP @ 60 HZ	Locked Bearing Indicator:	No Locked Bearing
Synchronous Speed @ Frequency:	3600 RPM @ 60 HZ	Motor Lead Quantity/Wire Size:	3 @ 16 AWG
Voltage @ Frequency:	460.0 V @ 60 HZ	Motor Lead Exit:	Ko Box
XP Class and Group:	CLI GP A,B,C,D	Motor Lead Termination:	Flying Leads
XP Division:	Division II	Motor Type:	0634M
Agency Approvals:	CSA EEV	Mounting Arrangement:	F1
	UR	Power Factor:	90
	CSA	Product Family:	Chemical Processing (Not DC)
	CCSA US	Pulley End Bearing Type:	Ball
Auxillary Box:	No Auxillary Box	Pulley Face Code:	Standard
Auxillary Box Lead Termination:	None	Pulley Shaft Indicator:	Standard
Base Indicator:	Rigid	Rodent Screen:	None
Bearing Grease Type:	Polyrex EM (-20F +300F)	Shaft Extension Location:	Pulley End
Blower:	None	Shaft Ground Indicator:	No Shaft Grounding

<b>Constant Torque Speed Range:</b>	6	<b>Shaft Rotation:</b>	Reversible
<b>Current @ Voltage:</b>	5.700 A @ 460.0 V	<b>Shaft Slinger Indicator:</b>	Shaft Slinger
<b>Design Code:</b>	A	<b>Speed Code:</b>	Single Speed
<b>Drip Cover:</b>	No Drip Cover	<b>Motor Standards:</b>	NEMA
<b>Duty Rating:</b>	CONT	<b>Starting Method:</b>	Direct on line
<b>Electrically Isolated Bearing:</b>	Not Electrically Isolated	<b>Thermal Device - Bearing:</b>	None
<b>Enclosure Modification:</b>	Severe Duty Features	<b>Thermal Device - Winding:</b>	None
<b>Feedback Device:</b>	NO FEEDBACK	<b>Vibration Sensor Indicator:</b>	No Vibration Sensor
<b>Front Face Code:</b>	Standard	<b>Winding Thermal 1:</b>	None
<b>Front Shaft Indicator:</b>	None	<b>Winding Thermal 2:</b>	None
<b>Heater Indicator:</b>	No Heater	<b>XP Temp Code:</b>	T3C

Nameplate NP3257E

<b>CAT.NO.</b>	ECP3663T-4		
<b>SPEC.</b>	06H483X065G1		
<b>HP</b>	5	TE	
<b>VOLTS</b>	460		
<b>AMP</b>	5.7		
<b>RPM</b>	3500		
<b>FRAME</b>	184T	<b>HZ</b>	60
<b>SER.F.</b>	1.15	<b>CODE</b>	L
		<b>DES</b>	A
<b>RATING</b>	40C AMB-CONT		
<b>SN</b>			
<b>DE</b>	6206	<b>ODE</b>	6206
<b>NEMA-NOM-EFF</b>	89.5	<b>PF</b>	90
<b>G.MIN.EFF</b>	89.5	<b>CC</b>	010A
<b>T. CODE</b>	T3C	<b>T=</b>	160

<b>PH</b>	3
<b>CL</b>	F

<b>Nameplate NP3260E</b>	
<b>SPEC.</b>	06H483X065G1
<b>D.E. BRG.</b>	30BC02XP30X
<b>O.D.E. BRG.</b>	30BC02XP30X
<b>GREASE</b>	POLYREX EM
<b>RPM MAX</b>	5400
	<b>MAX. KVAR</b> N/A
<b>BLANK</b>	
<b>INV. TYPE</b>	PWM
<b>T=</b>	160
<b>C HP FR</b>	60
<b>CT HZ FROM</b>	6
<b>VT HZ FROM</b>	3
<b>HTR-VOLTS</b>	
<b>HTR-WATTS</b>	
<b>C HP TO</b>	90
<b>CT HZ TO</b>	60
<b>VT HZ TO</b>	60
<b>HTR-AMPS</b>	
	<b>MAX. SPACE HEATER TEMP.</b>

Parts List		
Part Number	Description	Quantity
SA148638	SA 06H483X065G1	1.000 EA
RA137596	RA 06H483X065G1	1.000 EA
36FN3000C01SP	EXFN, PLASTIC, 5.25 OD, .912 ID	1.000 EA
HW3201A05	3/8-16 EYEBOLT	1.000 EA
06CB1000A02G	CONDUIT BOX, MACH GRAY	1.000 EA
RM1016	LEAD SEPARATOR GASKET - 305/306 C.P.MOTO	1.000 EA
51XF2520A16	SCREW,HEX SER SLT HD,ZN 1/4-20X1.00LG TD	2.000 EA
11XW1032G06	10-32 X .38, TAPTITE II, HEX WSHR SLTD U	1.000 EA
HW3001B02	BRASS CUP WASHER W/GROUND SYMBOL TAB,	1.000 EA
10XN2520S06	1/4 20X3/8 HX HD CAP S.S.	2.000 EA
WD1000B16	T&B CX70TN OR L70P TERMINAL LUG	1.000 EA
36FE1100B72G	FREP ASSEMBLY FOR ROUTING PURPOSES	1.000 EA
HW4500A17	317400 ALEMITE GREASE RELIEF	1.000 EA
HW4500A01	1641B(ALEMITE)400 UNIV, GREASE FITT	1.000 EA
HA4051A00	PLASTIC CAP FOR GREASE FITTING	1.000 EA
HA4054	SHORT T-DRAIN FITTING, .125" N.P.T.	1.000 EA
HA4054	SHORT T-DRAIN FITTING, .125" N.P.T.	1.000 EA
HW5100A06	W2420-025 WVY WSHR (WB)	1.000 EA
36PE1100A29G	PUEP ASSEMBLY FOR ROUTING PURPOSES	1.000 EA
HW4500A01	1641B(ALEMITE)400 UNIV, GREASE FITT	1.000 EA
HA4051A00	PLASTIC CAP FOR GREASE FITTING	1.000 EA
HW4500A17	317400 ALEMITE GREASE RELIEF	1.000 EA
HA4054	SHORT T-DRAIN FITTING, .125" N.P.T.	1.000 EA
HA3101A34	THRUBOLT- 1/4-20 X 10.375	4.000 EA

Parts List (continued)		
Part Number	Description	Quantity
XY2520A12	1/4-20 HEX NUT, DIRECTIONAL SERRATIONS	4.000 EA
06FH1004A01G	FAN HOUSING MACH, W/GRAY EPOXY	1.000 EA
WD4100A02	DP-1000 HEYCO PLUG OR 62MP1000 MICRO PL	1.000 EA
10XN2520A24	1/4-20X 1 1/2 HEX HD X	3.000 EA
06CB1502G	LIPPED CONDUIT BOX LID CAST, GRAY EPOXY	1.000 EA
06GS1003	GASKET, KOBX LID, 1/8" THICK BLACK NEOPR	1.000 EA
10XN2520A12	1/4-20 X 3/4 HEX HEAD CAP	2.000 EA
HW1001A25	LOCKWASHER 1/4, ZINC PLT .493 OD, .255 I	2.000 EA
HA1005A22	SLINGER, OD 2.00, ID 1.14, 206 BRG, GM	1.000 EA
HW4600B36SP	V-RING SLINGER 1.188 X 1.690 X .24 VITON	1.000 EA
HW2501E16	KEY, 1/4 SQ X 1.750	1.000 EA
HA7000A02	KEY RETAINER RING, 1 1/8 DIA, 1 3/8 DIA	1.000 EA
MJ5001A27	32220KN GRAY SEALER *MIN BUY 4 QTS=1GAL	0.001 QT
85XU0407S04	4X1/4 U DRIVE PIN STAINLESS	2.000 EA
LB1115N	LABEL,LIFTING DEVICE (ON ROLLS)	1.000 EA
LB1002N	LABEL,MARINE DUTY (ON ROLLS)	1.000 EA
MJ1000A02	GREASE, MOBIL POLYREX EM - 124047	0.050 LB
MG1025N19	WILKOFASST, 778.50, RELIANCE BLUE-GREEN	0.028 GA
LB1119N	WARNING LABEL	1.000 EA
LB1449	DIV-2/NEC WARNING LABEL	1.000 EA
LC0006	CONNECTION LABEL	1.000 EA
NP3257E	SS CP SUPER-E DIV-2 UL CSA-C US EEV PREM	1.000 EA
NP3260E	SS CP SUPER-E AUX DATA INFORMATION	1.000 EA
85XU0407S04	4X1/4 U DRIVE PIN STAINLESS	2.000 EA

Product Information Packet: ECP3663T-4 - 5HP,3500RPM,3PH,60HZ,184T,0634M,TEFC,F1

36PA1001	PKG GRP, PRINT PK1017A06	1.000 EA
MN416A01	TAG-INSTAL-MAINT no wire (2100/bx) 4/22	1.000 EA
HA4054	SHORT T-DRAIN FITTING, .125" N.P.T.	1.000 EA



<b>Accessories</b>		
<b>Part Number</b>	<b>Description</b>	<b>Multiplier</b>
36-3301	C FACE KIT	A8

**AC Induction Motor Performance Data**

Record # 47072

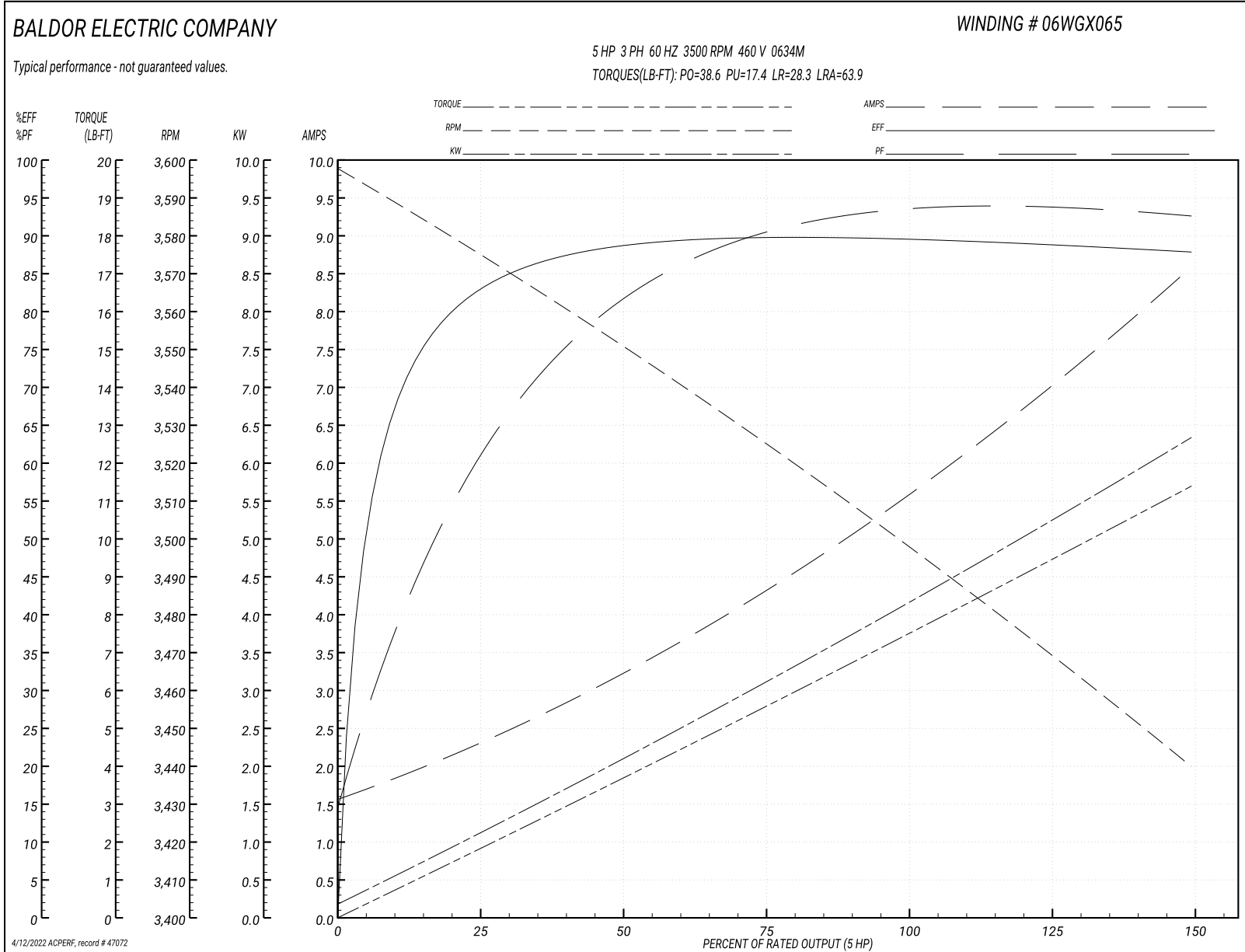
Typical performance - not guaranteed values

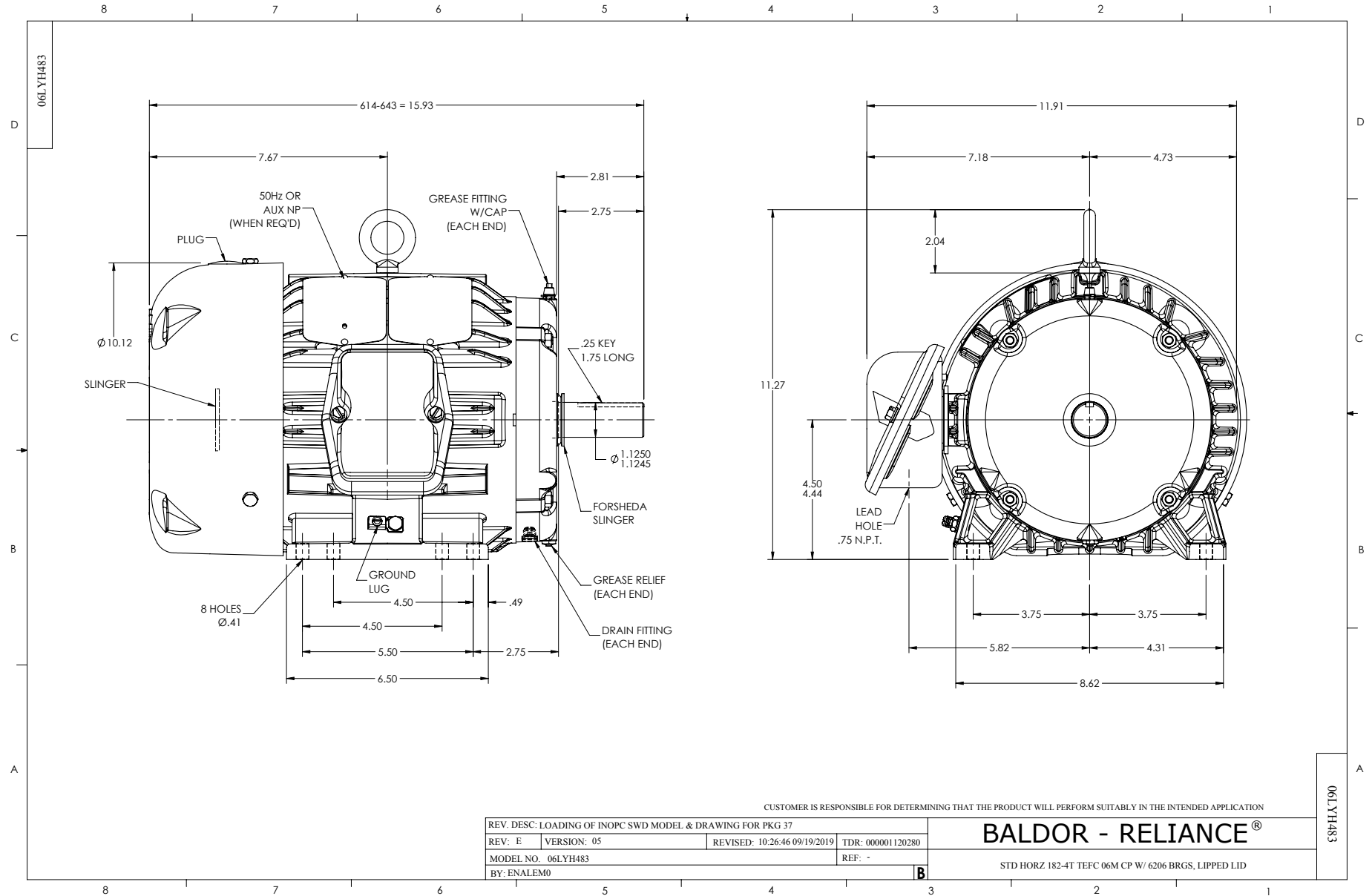
Winding: 06WGX065-R031		Type: 0634M	Enclosure: TEFC
<b>Nameplate Data</b>		<b>460 V, 60 Hz: Single Voltage Motor</b>	
Rated Output (HP)	5	Full Load Torque	7.45 LB-FT
Volts	460	Start Configuration	direct on line
Full Load Amps	5.7	Breakdown Torque	38.6 LB-FT
R.P.M.	3500	Pull-up Torque	17.4 LB-FT
Hz	60 Phase	Locked-rotor Torque	28.3 LB-FT
NEMA Design Code	A KVA Code	Starting Current	63.9 A
Service Factor (S.F.)	1.15	No-load Current	1.65 A
NEMA Nom. Eff.	89.5 Power Factor	Line-line Res. @ 25°C	2.4282 Ω
Rating - Duty	40C AMB-CONT	Temp. Rise @ Rated Load	49°C
S.F. Amps		Temp. Rise @ S.F. Load	59°C
		Rotor inertia	0.153 LB-FT <sup>2</sup>

**Load Characteristics 460 V, 60 Hz, 5 HP**

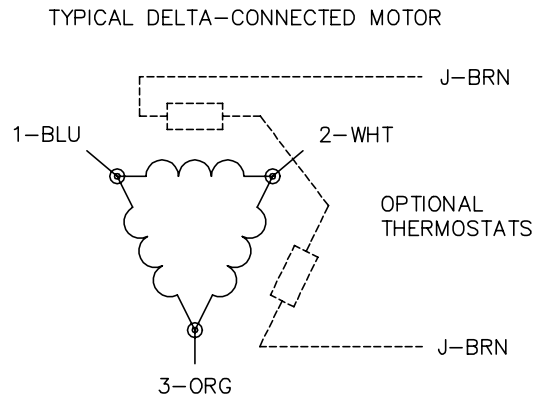
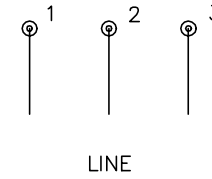
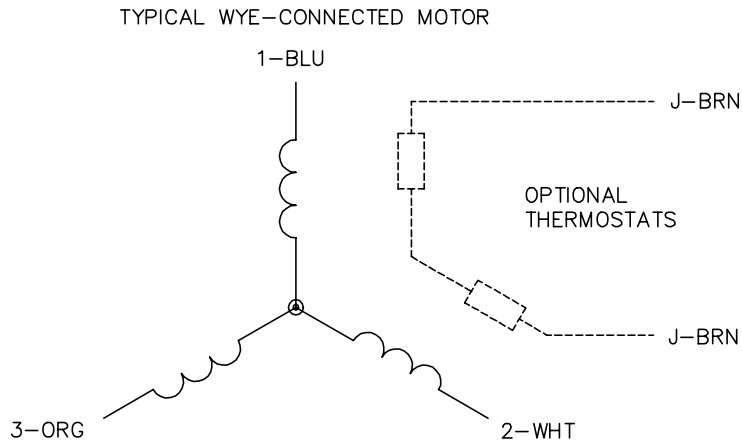
% of Rated Load	25	50	75	100	125	150	S.F.
Power Factor	63	83	89	93	93	93	93
Efficiency	82.5	88.6	89.8	89.7	88.9	87.7	89.2
Speed	3575.6	3551.3	3526.2	3498.2	3470.4	3439.8	3482
Line amperes	2.17	3.14	4.35	5.59	7.02	8.54	6.45

Performance Graph at 460V, 60Hz, 5.0HP Typical performance - Not guaranteed values





CD0006



NOTES:

1. THREE LEAD MOTOR MAY BE EITHER WYE CONNECTED OR DELTA CONNECTED.
2. INTERCHANGE ANY TWO LINE LEADS TO REVERSE ROTATION.
3. OPTIONAL THERMOSTATS ARE PROVIDED WHEN SPECIFIED.
4. ACTUAL NUMBER OF INTERNAL PARALLEL CIRCUITS MAY VARY.
5. LEAD COLORS ARE OPTIONAL. LEADS MUST BE NUMBERED AS SHOWN.

CD0006

REV. DESC: ADD CLASS CONN00000007		
REV. LTR: E	VERSION: 01	TDR: 000001099922
FILE: \AAA\00005\141	REVISED: 10:24:49 02/19/2019	BY: ENBRIRO
MTL: -		

**BALDOR - RELIANCE®**

3PH, SV, 3 LEADS, WYE OR DELTA CONNECTED

SH 1 of 1