

BALDOR® • RELIANCE 

Product Information Packet

ECP3764T-5

3HP,1165RPM,3PH,60HZ,213T,0738M,TEFC,F1

| Part Detail | | | | | | | |
|-------------|--------|-------------|------------|-------------|--------|---------------|------------|
| Revision: | W | Status: | PRD/A | Change #: | | Proprietary: | No |
| Type: | AC | Elec. Spec: | 07WGX904 | CD Diagram: | CD0006 | Mfg Plant: | |
| Mech. Spec: | 07K374 | Layout: | 07LYK374 | Poles: | 06 | Created Date: | 03-20-2009 |
| Base: | RG | Eff. Date: | 01-05-2022 | Leads: | 3#14 | | |

| Specs | | | |
|---------------------------------|-------------------------|--------------------------------|-----------------------------|
| Catalog Number: | ECP3764T-5 | Insulation Class: | F |
| Enclosure: | TEFC | Inverter Code: | Inverter Duty |
| Frame: | 213T | KVA Code: | K |
| Frame Material: | Iron | Lifting Lugs: | Standard Lifting Lugs |
| Output @ Frequency: | 3.000 HP @ 60 HZ | Locked Bearing Indicator: | No Locked Bearing |
| Synchronous Speed @ Frequency: | 1200 RPM @ 60 HZ | Motor Lead Quantity/Wire Size: | 3 @ 14 AWG |
| Voltage @ Frequency: | 575.0 V @ 60 HZ | Motor Lead Exit: | Ko Box |
| XP Class and Group: | CLI GP A,B,C,D | Motor Lead Termination: | Flying Leads |
| XP Division: | Division II | Motor Type: | 0738M |
| Agency Approvals: | CSA EEV | Mounting Arrangement: | F1 |
| | UR | Power Factor: | 70 |
| | CSA | Product Family: | Super-E Chemical Processing |
| | CCSA US | Pulley End Bearing Type: | Ball |
| Auxillary Box: | No Auxillary Box | Pulley Face Code: | Standard |
| Auxillary Box Lead Termination: | None | Pulley Shaft Indicator: | Standard |
| Base Indicator: | Rigid | Rodent Screen: | None |
| Bearing Grease Type: | Polyrex EM (-20F +300F) | RoHS Status: | ROHS COMPLIANT |
| Blower: | None | Shaft Extension Location: | Pulley End |

| | | | |
|---------------------------------------|---------------------------|------------------------------------|---------------------|
| Constant Torque Speed Range: | 1.7 | Shaft Ground Indicator: | No Shaft Grounding |
| Current @ Voltage: | 3.600 A @ 575.0 V | Shaft Rotation: | Reversible |
| Design Code: | B | Shaft Slinger Indicator: | Shaft Slinger |
| Drip Cover: | No Drip Cover | Speed Code: | Single Speed |
| Duty Rating: | CONT | Motor Standards: | NEMA |
| Electrically Isolated Bearing: | Not Electrically Isolated | Starting Method: | Direct on line |
| Enclosure Modification: | Severe Duty Features | Thermal Device - Bearing: | None |
| Feedback Device: | NO FEEDBACK | Thermal Device - Winding: | None |
| Front Face Code: | Standard | Vibration Sensor Indicator: | No Vibration Sensor |
| Front Shaft Indicator: | None | Winding Thermal 1: | None |
| Heater Indicator: | No Heater | Winding Thermal 2: | None |
| | | XP Temp Code: | T3C |

| | | | | | | | | | | |
|--------------------------|--------------|----|-------------|---|--|------------|------|--|-------------|-------------|
| Nameplate NP3257E | | | | | | | | | | |
| CAT.NO. | ECP3764T-5 | | | | | | | | | |
| SPEC. | 07K374X904 | | | | | | | | | |
| HP | 3 | TE | | | | | | | | |
| VOLTS | 575 | | | | | | | | | |
| AMP | 3.6 | | | | | | | | | |
| RPM | 1165 | | | | | | | | | |
| FRAME | 213T | | | | | HZ | 60 | | | PH 3 |
| SER.F. | 1.15 | | CODE | K | | DES | B | | CL F | |
| RATING | 40C AMB-CONT | | | | | | | | | |
| SN | | | | | | | | | | |
| DE | 6307 | | | | | ODE | 6307 | | | |
| NEMA-NOM-EFF | 90.2 | | | | | PF | 70 | | | |
| G.MIN.EFF | 88.5 | | | | | CC | 010A | | | |
| T. CODE | T3C | | | | | T= | 160 | | | |

| | |
|--------------------------------|-------------|
| Nameplate NP3260E | |
| SPEC. | 07K374X904 |
| D.E. BRG. | 35BC03XP30X |
| O.D.E. BRG. | 35BC03XP30X |
| GREASE | POLYREX EM |
| RPM MAX | 1800 |
| MAX. KVAR | 1.3 |
| BLANK | |
| INV. TYPE | PWM |
| T= | 160 |
| C HP FR | 60 |
| CT HZ FROM | 1.7 |
| VT HZ FROM | 0- |
| C HP TO | 90 |
| CT HZ TO | 60 |
| VT HZ TO | 60 |
| HTR-VOLTS | |
| HTR-WATTS | |
| HTR-AMPS | |
| MAX. SPACE HEATER TEMP. | |

| Parts List | | |
|--------------|--|----------|
| Part Number | Description | Quantity |
| SA180780 | SA 07K374X904 | 1.000 EA |
| RA168732 | RA 07K374X904 | 1.000 EA |
| 37FN3002C01 | EXFN, PLASTIC, 6.00 OD, 1.155 ID | 1.000 EA |
| HW3201A05 | 3/8-16 EYEBOLT | 1.000 EA |
| 09CB1001A03G | CONDUIT BOX, MACH GRAY | 1.000 EA |
| RM1017 | LEAD SEPERATOR GASKET MODEL 307 1/8" THK | 1.000 EA |
| 19XW2520A16 | SCREW,1/4-20X1 TAPTITE-II OR ROLOC 91 | 2.000 EA |
| 11XW1032G06 | 10-32 X .38, TAPTITE II, HEX WSHR SLTD U | 1.000 EA |
| HW3001B01 | BRASS CUP WASHER, FOR #10 SCREW | 1.000 EA |
| 10XN2520S06 | 1/4 20X3/8 HX HD CAP S.S. | 2.000 EA |
| WD1000B16 | T&B CX70TN OR L70P TERMINAL LUG | 1.000 EA |
| 37EP1101C43G | TEFC 307 BRG, GRSR,RELIEF,.25-20 FH TAPS | 1.000 EA |
| HW4500A01 | 1641B(ALEMITE)400 UNIV, GREASE FITT | 1.000 EA |
| HA4051A00 | PLASTIC CAP FOR GREASE FITTING | 1.000 EA |
| HA4051A00 | PLASTIC CAP FOR GREASE FITTING | 1.000 EA |
| HW4500A17 | 317400 ALEMITE GREASE RELIEF | 1.000 EA |
| HW4500A17 | 317400 ALEMITE GREASE RELIEF | 1.000 EA |
| HA4054 | SHORT T-DRAIN FITTING, .125" N.P.T. | 1.000 EA |
| HW5100A08 | W3118-035 WVY WSHR (WB) | 1.000 EA |
| 37EP1101A32G | PU ENDPLATE MACH | 1.000 EA |
| HW4500A01 | 1641B(ALEMITE)400 UNIV, GREASE FITT | 1.000 EA |
| HA4054 | SHORT T-DRAIN FITTING, .125" N.P.T. | 1.000 EA |
| XY3118A12 | 5/16-18 HEX NUT DIRECTIONAL SERRATION | 4.000 EA |
| 51XB1214A20 | 12-14X1.25 HXWSSLD SERTYB | 1.000 EA |

| Parts List (continued) | | |
|------------------------|--|----------|
| Part Number | Description | Quantity |
| 07FH1001A01G | SPL FAN HOUSING, 307, W/GREASER, GRAY EP | 1.000 EA |
| 10XN2520A28 | 1/4-20X 1 3/4 HEX HD | 3.000 EA |
| WD4100A02 | DP-1000 HEYCO PLUG OR 62MP1000 MICRO PL | 1.000 EA |
| 09CB1504A01G | LIPPED CONDUIT BOX LID, MACH GRAY EPOXY | 1.000 EA |
| 09GS1001A01 | GASKET, BOX LID, 1/8 THICK BLACK NEOPREN | 1.000 EA |
| 10XN2520A12 | 1/4-20 X 3/4 HEX HEAD CAP | 2.000 EA |
| HW1001A25 | LOCKWASHER 1/4, ZINC PLT .493 OD, .255 I | 2.000 EA |
| HA1005A07 | SLINGER, OD 2.25, ID 1.344, 307 BRG | 1.000 EA |
| HW4600B33 | V-RING SLINGER 1.375 X 1.890 X .35 VITON | 1.000 EA |
| HW2501F21 | KEY, 5/16 SQ X 2.375 | 1.000 EA |
| HA7000A02 | KEY RETAINER RING, 1 1/8 DIA, 1 3/8 DIA | 1.000 EA |
| MJ5001A27 | 32220KN GRAY SEALER *MIN BUY 4 QTS=1GAL | 0.001 QT |
| 85XU0407S04 | 4X1/4 U DRIVE PIN STAINLESS | 2.000 EA |
| LB1115N | LABEL,LIFTING DEVICE (ON ROLLS) | 1.000 EA |
| LB1002N | LABEL,MARINE DUTY (ON ROLLS) | 1.000 EA |
| MJ1000A02 | GREASE, MOBIL POLYREX EM - 124047 | 0.050 LB |
| HA3104A32 | THRUBOLT- 5/16-18 X12.750 | 4.000 EA |
| MG1025G29 | WILKOFASST, 789.229, DARK CHARCOAL GRAY | 0.036 GA |
| LB1119N | WARNING LABEL | 1.000 EA |
| LB1449 | DIV-2/NEC WARNING LABEL | 1.000 EA |
| LC0006 | CONNECTION LABEL | 1.000 EA |
| NP3257E | SS CP SUPER-E DIV-2 UL CSA-C US EEV PREM | 1.000 EA |
| NP3260E | SS CP SUPER-E AUX DATA INFORMATION | 1.000 EA |
| 85XU0407S04 | 4X1/4 U DRIVE PIN STAINLESS | 2.000 EA |

| | | |
|----------|---|----------|
| 07PA1011 | PKG GRP, 07 CAST IRON PK1181 | 1.000 EA |
| MN416A01 | TAG-INSTAL-MAINT no wire (2100/bx) 4/22 | 1.000 EA |

AC Induction Motor Performance Data

Record # 47123

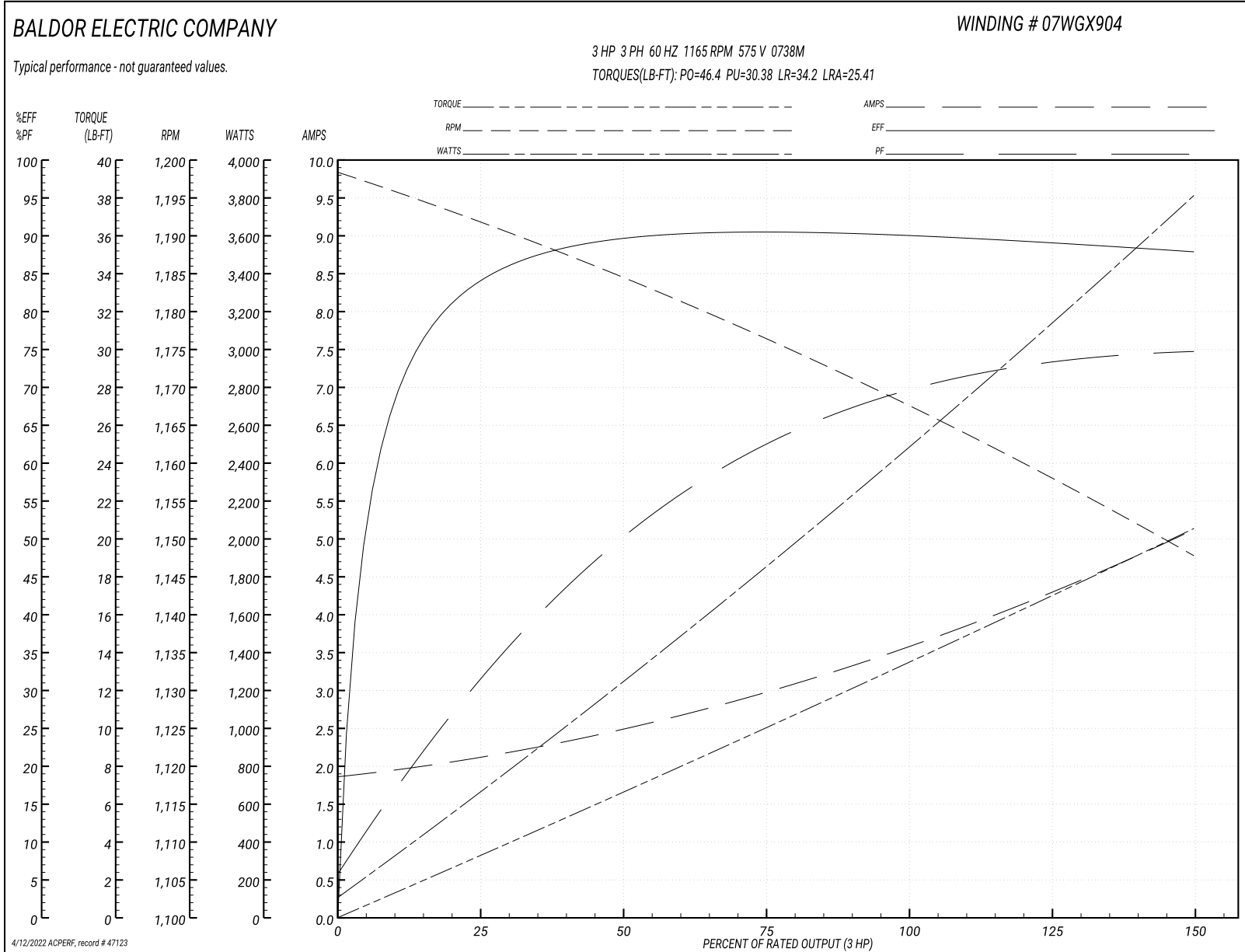
Typical performance - not guaranteed values

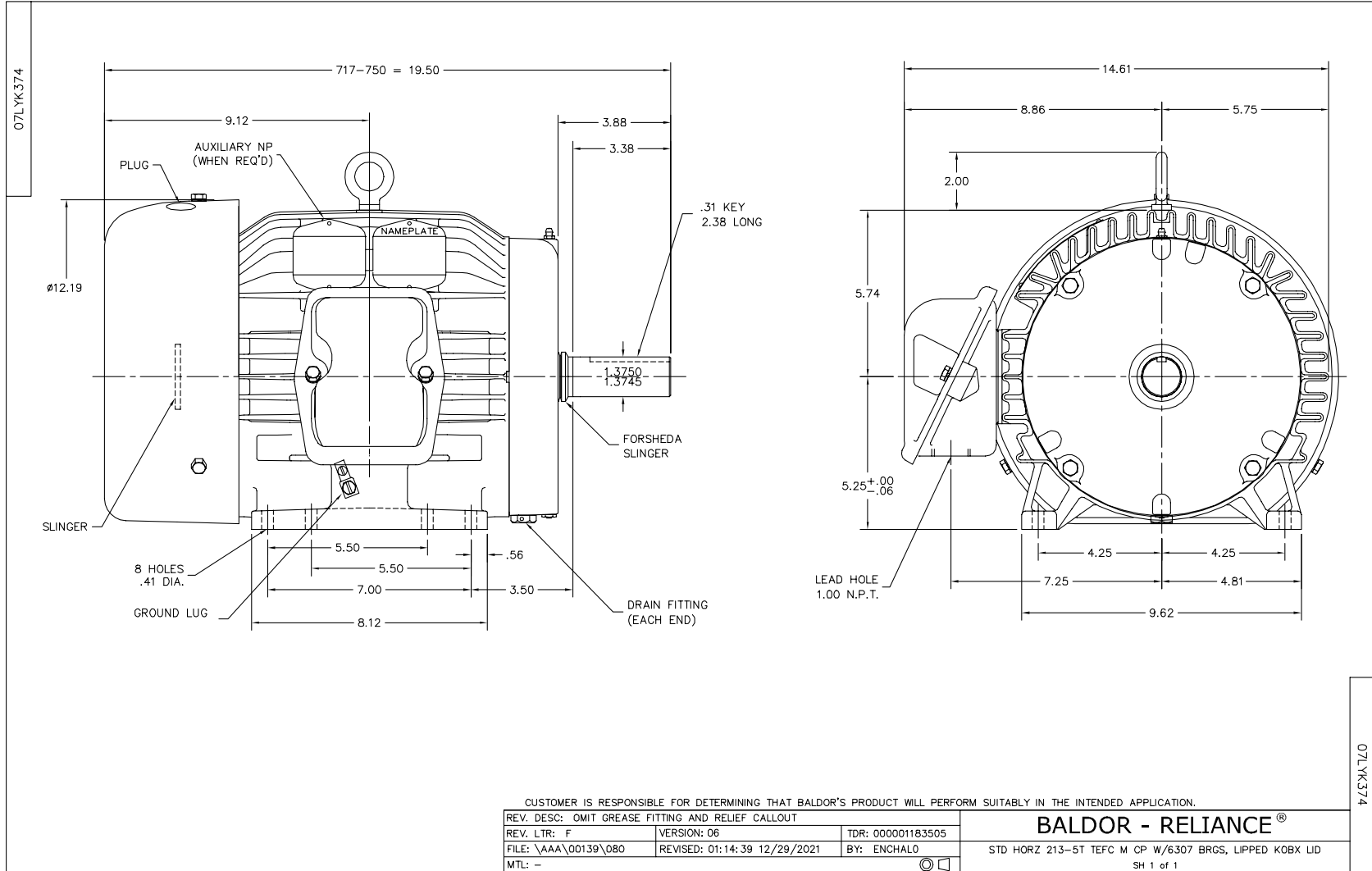
| Winding: 07WGX904-R006 | | Type: 0738M | | Enclosure: TEAO | | |
|-------------------------------|-------------------|----------------------------------|---|------------------------------|--------|--|
| Nameplate Data | | | 575 V, 60 Hz: Single Voltage Motor | | | |
| Rated Output (HP) | 3 AIR OVER | Full Load Torque | 13.5 LB-FT | | | |
| Volts | 575 | Start Configuration | direct on line | | | |
| Full Load Amps | 3.6 | Breakdown Torque | 46.4 LB-FT | | | |
| R.P.M. | 1165 | Pull-up Torque | 30.38 LB-FT | | | |
| Hz | 60 Phase | 3 | Locked-rotor Torque | 34.2 LB-FT | | |
| NEMA Design Code | B KVA Code | K | Starting Current | 25.41 A | | |
| Service Factor (S.F.) | 1.15 | No-load Current | 1.88 A | | | |
| NEMA Nom. Eff. | 90.2 | Power Factor | 70 | Line-line Res. @ 25°C | 4.11 Ω | |
| Rating - Duty | 40C AMB-CONT | Temp. Rise @ Rated Load | 31°C | | | |
| S.F. Amps | | Temp. Rise @ S.F. Load | 37°C | | | |
| | | Locked-rotor Power Factor | 22.8 | | | |
| | | Rotor inertia | 0.945 LB-FT ² | | | |

Load Characteristics 575 V, 60 Hz, 3 HP

| % of Rated Load | 25 | 50 | 75 | 100 | 125 | 150 | S.F. |
|------------------------|-----------|-----------|-----------|------------|------------|------------|-------------|
| Power Factor | 33 | 51 | 62 | 69 | 73 | 75 | 71 |
| Efficiency | 83.2 | 88.7 | 90.7 | 90.2 | 89.4 | 87.6 | 89.8 |
| Speed | 1191 | 1184 | 1176 | 1168 | 1159 | 1147 | 1163 |
| Line amperes | 2.1 | 2.49 | 2.99 | 3.6 | 4.31 | 5.11 | 4.03 |

Performance Graph at 575V, 60Hz, 3.0HP Typical performance - Not guaranteed values





CD0006



NOTES:

1. THREE LEAD MOTOR MAY BE EITHER WYE CONNECTED OR DELTA CONNECTED.
2. INTERCHANGE ANY TWO LINE LEADS TO REVERSE ROTATION.
3. OPTIONAL THERMOSTATS ARE PROVIDED WHEN SPECIFIED.
4. ACTUAL NUMBER OF INTERNAL PARALLEL CIRCUITS MAY VARY.
5. LEAD COLORS ARE OPTIONAL. LEADS MUST BE NUMBERED AS SHOWN.

CD0006

| | | |
|-----------------------------------|------------------------------|-------------------|
| REV. DESC: ADD CLASS CONN00000007 | | |
| REV. LTR: E | VERSION: 01 | TDR: 000001099922 |
| FILE: \AAA\00005\141 | REVISED: 10:24:49 02/19/2019 | BY: ENBRIRO |
| MTL: - | © □ | |

BALDOR - RELIANCE®

3PH, SV, 3 LEADS, WYE OR DELTA CONNECTED

SH 1 of 1