

BALDOR® • RELIANCE™

Customer information packet

ECP4411T-5

125HP, 1190RPM, 3PH, 60HZ, 445T, TEFC, F1

Specifications

Enclosure	TEFC
Frame	445T
Frame Material	Iron
Frequency	60.00 Hz
Motor Letter Type	Three Phase
Output @ Frequency	125.000 HP @ 60 HZ
Phase	3
Synchronous Speed @ Frequency	1200 RPM @ 60 HZ
Voltage @ Frequency	575.0 V @ 60 HZ
Agency Approvals	CSA EEV
Ambient Temperature	40 °C
Base Indicator	Rigid
Bearing Grease Type	Polyrex EM (-20F +300F)
Constant Torque Speed Range	15-60
Current @ Voltage	116.000 A @ 575.0 V
Design Code	B
Duty Rating	CONT
Efficiency @ 100% Load	95.0 %
Enclosure Modification	Severe Duty Features
Feedback Device	NO FEEDBACK
Heater Indicator	No Heater
High Voltage Full Load Amps	116.0 a
Insulation Class	F
Inverter Code	Not Inverter
KVA Code	G
Motor Lead Quantity/Wire Size	3 @ 2 AWG
Motor Standards	NEMA
Motor Type	A44076M
Mounting Arrangement	F1
Number of Poles	6
Overall Length	44.97 IN
Power Factor	85

Part detail

Revision	A
Type	AC
Mech. spec.	
Base	
Status	PRD/A
Elec. spec.	A44WG2122
Layout	617435-945
Eff. date	03-12-2020
CD Diagram	416820-036
Poles	06
Leads	3#2
Proprietary	False
Created date	10-01-2019

Product Family	General Industrial
Pulley End Bearing Type	Ball
Service Factor	1.15
Shaft Diameter	3.375 IN
Shaft Rotation	Reversible
Shaft Slinger Indicator	Shaft Slinger
Speed	1190 rpm
Speed Code	Single Speed
Starting Method	Direct on line
Thermal Device - Winding	None
XP Temp Code	T3

Nameplate

NP2496L	
MOBIL POLYREX EM	

000901002AAA

IP55 CONSTRUCTION

NP3238

CAT NO	ECP4411T-5	SPEC NO.	A44-8639-2122			
HP	125	AMPS	116	VOLTS 575	DESIGN B	
FRAME	445T	RPM	1190	HZ 60	AMB 40	SF 1.15
D.E. BRG.DATA	6318	O.D.E. BRG.DATA	6318	PH 3	DUTY CONT	INSUL.CLASS F
D.E. BRG.	90BC03J30X	TYPE	P	ENCL TEFC	CODE G	
O.D.E. BRG.	90BC03J30X	POWER FACTOR	85	NEMA NOM EFFICIENCY	95	
3/4 LOAD EFF.	95.1	MAX CORR KVAR	28.0	GUARANTEED EFFICIENCY	94.1	
TEMP CODE	T3	TEMP =	200			
CHP HZ	60-90	CT HZ	15-60	VT HZ	0-60	
INVERTER-TEMP-CODE	T3					
SER.NO.		MOTOR WEIGHT				

Parts list

Part number	Description	Quantity
SA374839	SA A44-8639-2122	1.000 ea
RA364715	RA A44-8639-2122	1.000 ea
421948051	LABEL, MYLAR	1.000 ea
NP2496L	MOTOR LUBE NAMEPLATE	1.000 ea
000613006PU	N/P (RELEASE QTY 10,000) UL CSA LABEL	1.000 ea
000692000FF	N/P	1.000 ea
000692000VD	LABEL WARNING	1.000 ea
000901002AAA	N/P BLANK (RELEASE QTY 1,500)	1.000 ea
LB1449	DIV-2/NEC WARNING LABEL	1.000 ea
NP3238	SS CP XEX SEVERE DUTY MAIN NP	1.000 ea
412118006A	DRAIN	2.000 ea
034690005AB	PPLG 3/4 PLATED	1.000 ea
089490099A	G28 BRKT 089490098WCA KB	1.000 ea
415072001B	CLAMP	1.000 ea
083199082A	G28 FAN COVER MACHINING SHORT VERSION	1.000 ea
034180014DA	KEY 1/4X1/4X1-3/4 L	1.000 ea
078557001E	FAN 440 078557001F	1.000 ea
004824015A	GREASE POLYREX EM	1.160 lb
032018020FK	HHCS 3/4-10X2-1/2 PLTD.	4.000 ea
032018008CK	HHCS 3/8-16X1L PLATED	4.000 ea
032018030DK	HHCS 1/2-13X3-3/4 PLTD.	3.000 ea
034631002AB	BUSH 1/4 TO 1/8 PLTD.	1.000 ea
415096002A	CPLG 1/8 HEX TYPE	1.000 ea
415045002A	SLGR	1.000 ea
410700004A	WSHR	1.000 ea
035000001G	GREASE RELIEF FITTING, ALEMITE 317400	1.000 ea
034017014AB	LCKW 3/8 STD. PLATED	4.000 ea
034530064BB	P/NIP 1/4X8 PLATED	1.000 ea
034530064AB	P/NIP 1/8 X 8" L Pipe Nipple	1.000 ea
032620016LA	SOCKET SET SCREW-449	3.000 ea
034631002AB	BUSH 1/4 TO 1/8 PLTD.	1.000 ea

034530044BB	P/NIP 1/4X5-1/2L PLT	1.000 ea
702623013A	THERMAL BARRIER -- G28 -- BRACKET MTD	1.000 ea
032018004BK	HHCS 5/16-18X1/2 PLATED	3.000 ea
034017013AB	LCKW 5/16 STD. PLATED	3.000 ea
089490099A	G28 BRKT 089490098WCA KB	1.000 ea
032018020FK	HHCS 3/4-10X2-1/2 PLTD.	4.000 ea
032018030DK	HHCS 1/2-13X3-3/4 PLTD.	3.000 ea
415045002A	SLGR	1.000 ea
034530044AB	P/NIP 1/8X5-1/2L GALV.	1.000 ea
415096002A	CPLG 1/8 HEX TYPE	1.000 ea
035000001G	GREASE RELIEF FITTING, ALEMITE 317400	1.000 ea
032620016LA	SOCKET SET SCREW-449	3.000 ea
032620016LA	SOCKET SET SCREW-449	3.000 ea
415915007K	GASK, 26" LAC	1.000 ea
076863000C	+CBCST BLKT - 440	1.000 ea
406056007A	GASKET, 440	1.000 ea
076864000A	CBCST BLKT - 440	1.000 ea
067053001C	GASK 440	1.000 ea
418150003A	GREASE FITTING CAP	1.000 ea
032018008BK	HHCS 5/16-18X1L PLATED	4.000 ea
032018008DK	HHCS 1/2-13X1 PLATED	4.000 ea
035000001A	ALFTG 1/8" 1610-BL	1.000 ea
415000103D	T/LUG #4AWG-1/0AWG W/HOLE FOR .250 BOLT	1.000 ea
406099000A	PLUG - FAN COVER 320-440	1.000 ea
033512006LB	HHTTS 1/4-20X3/4 PLTD.	1.000 ea
035000001A	ALFTG 1/8" 1610-BL	1.000 ea
418150003A	GREASE FITTING CAP	1.000 ea
MG1025N19	WILKO 778.50 BLUE GREEN - 55 GAL DRUMS	0.440 ga
033775004EA	DRSCR #6-1/4 304 S.S.	2.000 ea
034180054KA	7/8 SQ X 6.75 KEY	1.000 ea
604797045	STD. 400 FRAME SKID	1.000 ea
032510024D	CARRIAGE BOLT - 444	2.000 ea
034001016AB	WSHR .562ID 1.375OD .109	2.000 ea
034001014AB	FLAT WASHER 3/8"PLATED	2.000 ea

033300014AC

HEX NUT, SHIPPING - 400

2.000 ea

604799003C

PLASTIC BAG 42X32X46

1.000 ea

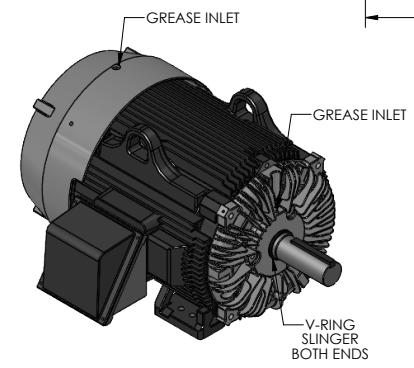
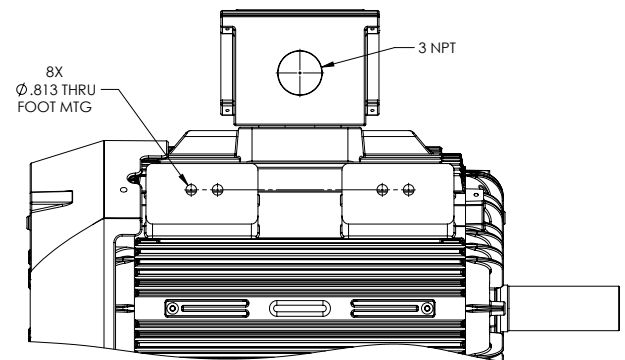
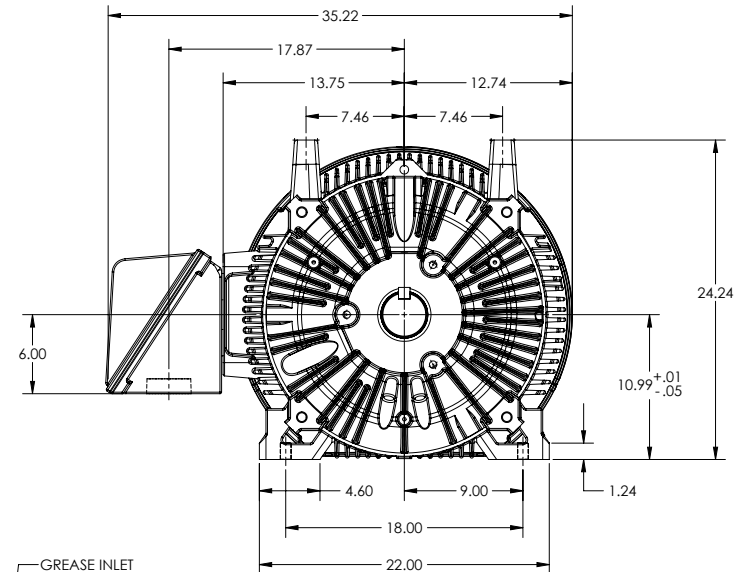
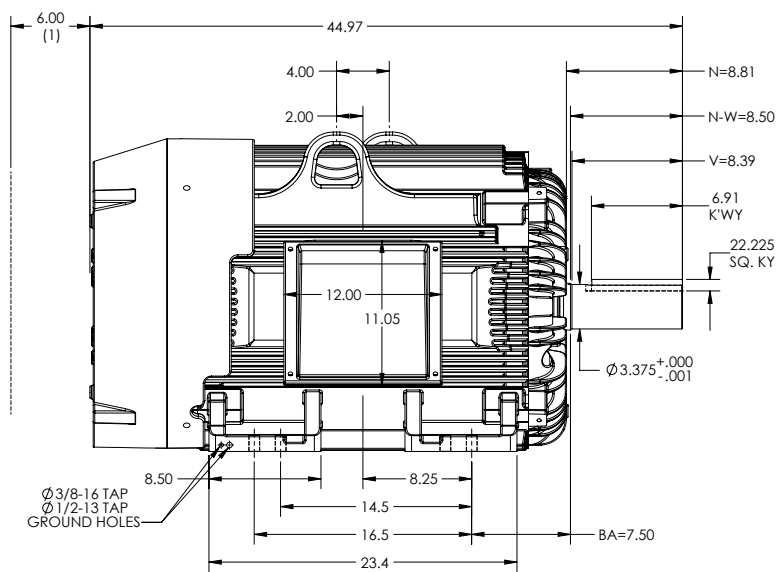
DUTY MASTER ALTERNATING CURRENT MOTORS
SQUIRREL-CAGE INDUCTION
FRAME G445T

617435-945

ENCLOSURE: TOTALLY ENCLOSED
 MOUNTING: FOOT, F1

INCLUDES 444T FRAME MOUNTING HOLES
 CAST IRON C/BOX

COOLING: FAN COOLED
 ENCLOSURE ENHANCEMENT: SEVERE DUTY



1. OBSTRUCTION MUST NOT ENCRONCH ON AIR INLET.
2. WEIGHT = 2150 ± 15% DEPENDING ON RATING.

DIMENSIONS ARE IN INCHES.
 CUSTOMER IS RESPONSIBLE FOR DETERMINING THAT MOTOR PERFORMANCE IS SUITABLE IN THE APPLICATION.

SHEET NUMBER
1 OF 1
 617435-945

IF MOUNTING CLEARANCE DETAILS ARE REQUIRED, CONSULT FACTORY.
 MAXIMUM PERMISSIBLE SHAFT RUNOUT WHEN MEASURED AT END OF STANDARD SHAFT EXTENSION IS .003 T.I.R.

REV. DESC: ADDED TOLERANCE TO 10.99			
REV: A	VERSION: 01	REVISED: 01-33-37 02/21/2022	TDR: 00001186413
MODEL NO. 617435-945		REF:	
BY: RAGHZT	Material:	C	

BALDOR
 G445T STD TEFC F1 FOOTED - CAST IRON C/BOX

617435-945

416820-036

A-C MOTOR
CONNECTION DIAGRAM
STANDARD 3 LEAD CONNECTED



(N.P. 1575-BA)

416820-036

REV. DESC: LOADED TO BUS, C/R 335225		
REV. LTR: -	VERSION: 00	TDR: 000000538207
FILE: \MGA\00000\682	REVISED: 11: 54: 06 04/30/2010	
MTL: -	BY: RAGRA	

BALDOR

CONN DIAG - STANDARD 3 LEAD
SH 1 of 1