

**BALDOR • RELIANCE**

---

# Customer information packet

## ECP4412T

125HP, 3570RPM, 3PH, 60HZ, 444TS, A4468M, TEFC

Class - None

Division - Division II

Copyright © All product information within this document is subject to ABB Motors and Mechanical Inc. copyright © protection, unless otherwise noted.

7/14/2022 5:36:03 PM

## Specifications

Enclosure	TEFC
Frame	444TS
Frame Material	Iron
Frequency	60.00 Hz
Motor Letter Type	Three Phase
Output @ Frequency	125.000 HP @ 60 HZ
Phase	3
Synchronous Speed @ Frequency	3600 RPM @ 60 HZ
Voltage @ Frequency	230.0 V @ 60 HZ 460.0 V @ 60 HZ
XP Class and Group	None
XP Division	Division II
Agency Approvals	CSA EEV
Ambient Temperature	40 °C
Auxillary Box	No Auxillary Box
Base Indicator	Rigid
Bearing Grease Type	Polyrex EM (-20F +300F)
Constant Torque Speed Range	15-60
Current @ Voltage	138.000 A @ 460.0 V 276.000 A @ 230.0 V
Design Code	B
Drip Cover	No Drip Cover
Duty Rating	CONT
Efficiency @ 100% Load	95.0 %
Feedback Device	NO FEEDBACK
Heater Indicator	No Heater
High Voltage Full Load Amps	138.0 a
Insulation Class	F
Inverter Code	Inverter Ready
KVA Code	F
Lifting Lugs	No Lifting Lugs
Motor Lead Quantity/Wire Size	3 @ 1/0 AWG

## Part detail

Revision	S
Type	AC
Mech. spec.	
Base	
Status	PRD/A
Elec. spec.	A44WG3722
Layout	617427-004
Eff. date	03-12-2020
CD Diagram	416820-002
Poles	02
Leads	3#1/0,6#2
Proprietary	False
Created date	08-16-2012

<b>Motor Standards</b>	NEMA
<b>Motor Type</b>	A4468M
<b>Mounting Arrangement</b>	F1
<b>Number of Poles</b>	2
<b>Overall Length</b>	41.08 IN
<b>Power Factor</b>	89
<b>Product Family</b>	Other
<b>Pulley End Bearing Type</b>	Ball
<b>Pulley Face Code</b>	Standard
<b>Service Factor</b>	1.15
<b>Shaft Ground Indicator</b>	No Shaft Grounding
<b>Shaft Rotation</b>	Reversible
<b>Shaft Slinger Indicator</b>	Shaft Slinger
<b>Speed</b>	3570 rpm
<b>Speed Code</b>	Single Speed
<b>Starting Method</b>	Direct on line
<b>Thermal Device - Bearing</b>	None
<b>Thermal Device - Winding</b>	None
<b>XP Temp Code</b>	T3

**Nameplate**

**NP3238**

<b>CAT NO</b>	ECP4412T	<b>SPEC NO.</b>	P44G3942						
<b>HP</b>	125	<b>AMPS</b>	276/138	<b>VOLTS</b>	230/460	<b>DESIGN</b>	B		
<b>FRAME</b>	444TS	<b>RPM</b>	3570	<b>HZ</b>	60	<b>AMB</b>	40	<b>SF</b>	1.15
<b>D.E. BRG.DATA</b>	6313	<b>O.D.E. BRG.DATA</b>	6313	<b>PH</b>	3	<b>DUTY</b>	CONT	<b>INSUL.CLASS</b>	F
<b>D.E. BRG.</b>	65BC03J30X	<b>TYPE</b>	P	<b>ENCL</b>	TEFC	<b>CODE</b>	F		
<b>O.D.E. BRG.</b>	65BC03J30X	<b>POWER FACTOR</b>	89	<b>NEMA NOM EFFICIENCY</b>	95				
<b>3/4 LOAD EFF.</b>	94.9	<b>MAX CORR KVAR</b>	18.0	<b>GUARANTEED EFFICIENCY</b>	94.1				
<b>TEMP CODE</b>	T3	<b>TEMP =</b>	200						
<b>CHP HZ</b>	60-75	<b>CT HZ</b>	15-60	<b>VT HZ</b>	0-60				
<b>INVERTER-TEMP-CODE</b>	T3								
<b>SER.NO.</b>		<b>MOTOR WEIGHT</b>							

## Parts list

Part number	Description	Quantity
SA249712	SA P44G3942	1.000 ea
RA236572	RA P44G3942	1.000 ea
421948032	LABEL, MYLAR	1.000 ea
000613006PU	N/P (RELEASE QTY 10,000) UL CSA LABEL	1.000 ea
NP3238	SS CP XEX SEVERE DUTY MAIN NP	1.000 ea
000692000FF	N/P	1.000 ea
000692000VD	LABEL WARNING	1.000 ea
089490097A	BRKT 089490102WCA	1.000 ea
415072001B	CLAMP	1.000 ea
083199082RA	G28 SHORT FAN COVER W/BAFFLE ASSEMBLY	1.000 ea
034180014DA	KEY 1/4X1/4X1-3/4 L	1.000 ea
034530056AB	1/8 X 7 PP NIPPLE	1.000 ea
702676001D	FAN 250-440	1.000 ea
004824015A	GREASE POLYREX EM	0.540 lb
032018020FK	HHCS 3/4-10X2-1/2 PLTD.	4.000 ea
032018008CK	HHCS 3/8-16X1L PLATED	4.000 ea
032018022CK	HHCS 3/8-16X2-3/4 PLTD	3.000 ea
032018022CK	HHCS 3/8-16X2-3/4 PLTD	3.000 ea
415096002A	CPLG 1/8 HEX TYPE	1.000 ea
410700004F	WSHR	1.000 ea
035000001G	GREASE RELIEF FITTING, ALEMITE 317400	1.000 ea
034017014AB	LCKW 3/8 STD. PLATED	4.000 ea
034530072AB	P/NIP 1/8X9"L Threaded both ends	1.000 ea
034690005AB	PPLG 3/4 PLATED	2.000 ea
034631002AB	BUSH 1/4 TO 1/8 PLTD.	1.000 ea
034530072BB	PIPE NIPPLE,DE - 440-BS	1.000 ea
034631002AB	BUSH 1/4 TO 1/8 PLTD.	1.000 ea
034530056BB	P/NIP 1/4X7 SCHED 40	1.000 ea
702623012A	THERMAL BARRIER, G28	1.000 ea
032018004BK	HHCS 5/16-18X1/2 PLATED	3.000 ea
034017013AB	LCKW 5/16 STD. PLATED	3.000 ea

089490097A	BRKT 089490102WCA	1.000 ea
415915007K	GASK, 26" LAC	1.000 ea
032018020FK	HHCS 3/4-10X2-1/2 PLTD.	4.000 ea
415045002E	SLGR	1.000 ea
415096002A	CPLG 1/8 HEX TYPE	1.000 ea
035000001G	GREASE RELIEF FITTING, ALEMITE 317400	1.000 ea
032018006BK	HHCS 5/16-18X3/4 PLATED	3.000 ea
076863000C	+CBCST BLKT - 440	1.000 ea
406056007A	GASKET, 440	1.000 ea
076864000A	CBCST BLKT - 440	1.000 ea
067053001C	GASK 440	1.000 ea
418150003A	GREASE FITTING CAP	1.000 ea
032018008BK	HHCS 5/16-18X1L PLATED	4.000 ea
032018008DK	HHCS 1/2-13X1 PLATED	4.000 ea
032620016LA	SOCKET SET SCREW-449	3.000 ea
035000001A	ALFTG 1/8" 1610-BL	1.000 ea
418150003A	GREASE FITTING CAP	1.000 ea
415000103D	T/LUG #4AWG-1/0AWG W/HOLE FOR .250 BOLT	1.000 ea
406099000A	PLUG - FAN COVER 320-440	1.000 ea
033512004LB	HHTTS 1/4-20X1/2 PLTD.	1.000 ea
035000001A	ALFTG 1/8" 1610-BL	1.000 ea
MG1025N19	WILKO 778.50 BLUE GREEN - 55 GAL DRUMS	0.250 ga
033775004EA	DRSCR #6-1/4 304 S.S.	2.000 ea
034180024HA	KEY 5/8X5/8X3 L	1.000 ea
PK5004A09	BASE 48 X 39-1/4 STACK 2 X 4 RUNNER	1.000 ea
LB1449	DIV-2/NEC WARNING LABEL	1.000 ea
412118006A	DRAIN	2.000 ea

**Accessories**

<b>Part number</b>	<b>Description</b>	<b>Multiplier</b>
089490104B	BRKT,DE 089490103WCA, C-Face	P1
089490108A	D-FLANGE EP MACHINING, G28 W/6313 BRG	

617427-004

# DUTY MASTER ALTERNATING CURRENT MOTORS

## SQUIRREL-CAGE INDUCTION

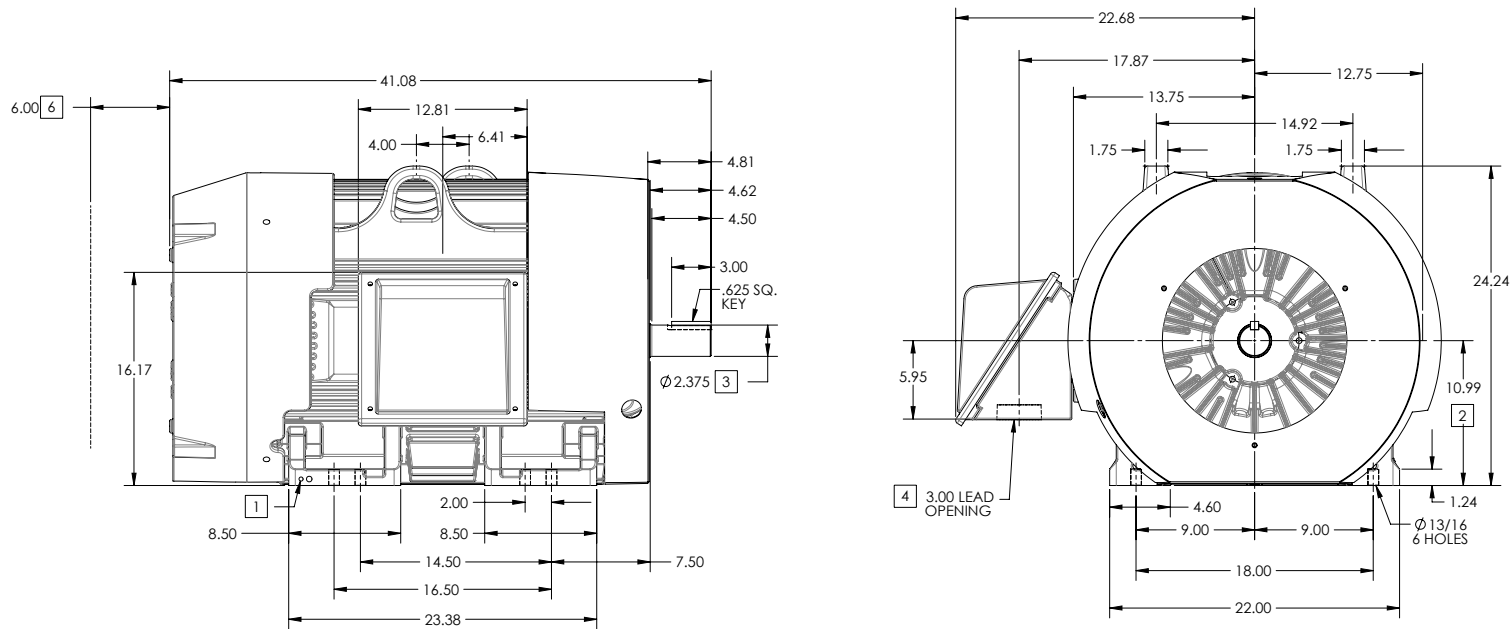
ENCLOSURE: TOTALLY ENCLOSED

FRAME G445TS ABOVE NEMA RATINGS

COOLING: FAN COOLED

MOUNTING: FOOT

INCLUDES 444TS FRAME MOUNTING HOLES



1. GROUND HOLES QTY 1 1/2-13 TAP; QTY 1 3/8-16 TAP
2. VARIES +.00,-.06
3. VARIES +.00,-.001
4. ON STANDARD MOTORS THIS IS CONDUIT SIZE. ON XT AND CORROSION PROOF MOTOR THIS IS PIPE TAP.
5. MOTOR WEIGHTS MAY VARY BY 1.5% DEPENDING ON RATING.
6. OBSTRUCTION MUST NO ENCROACH ON AIR INLET

CONDUIT BOX LOCATED ON OPPOSITE SIDE WHEN F-2.  
IF MOUNTING CLEARANCE DETAILS ARE REQUIRED, CONSULT FACTORY.  
MAXIMUM PERMISSIBLE SHAFT RUNOUT WHEN MEASURED AT END OF STANDARD SHAFT EXTENSION IS .003" T.I.R. TO 5 INCH DIA.

**5** WEIGHT (LBS): 2100

DRIVE END AIR DEFLECTOR IS ONLY INCLUDED WHEN NECESSARY.

DIMENSIONS ARE IN INCHES; SEE SHEET 2 FOR DIMENSIONS IN MILLIMETERS

CUSTOMER IS RESPONSIBLE FOR DETERMINING THAT MOTOR PERFORMANCE IS SUITABLE IN THE APPLICATION.

SHEET NUMBER  
**1 OF 2**

F007-2727-19

REV. DESC: ADJUSTED OVERALL LENGTH DIMENSION			
REV: D	VERSION: 04	REVISED: 01-45-46 09/09/2013	TDR: 00000816614
MODEL NO. 617427-004			REF:
BY: RAGSS1	Material:		

**BALDOR**

G445TS-444TS STD - FOOTED - SIDE/CENTER C/B

617427-004



617427-004

# DUTY MASTER ALTERNATING CURRENT MOTORS

## SQUIRREL-CAGE INDUCTION

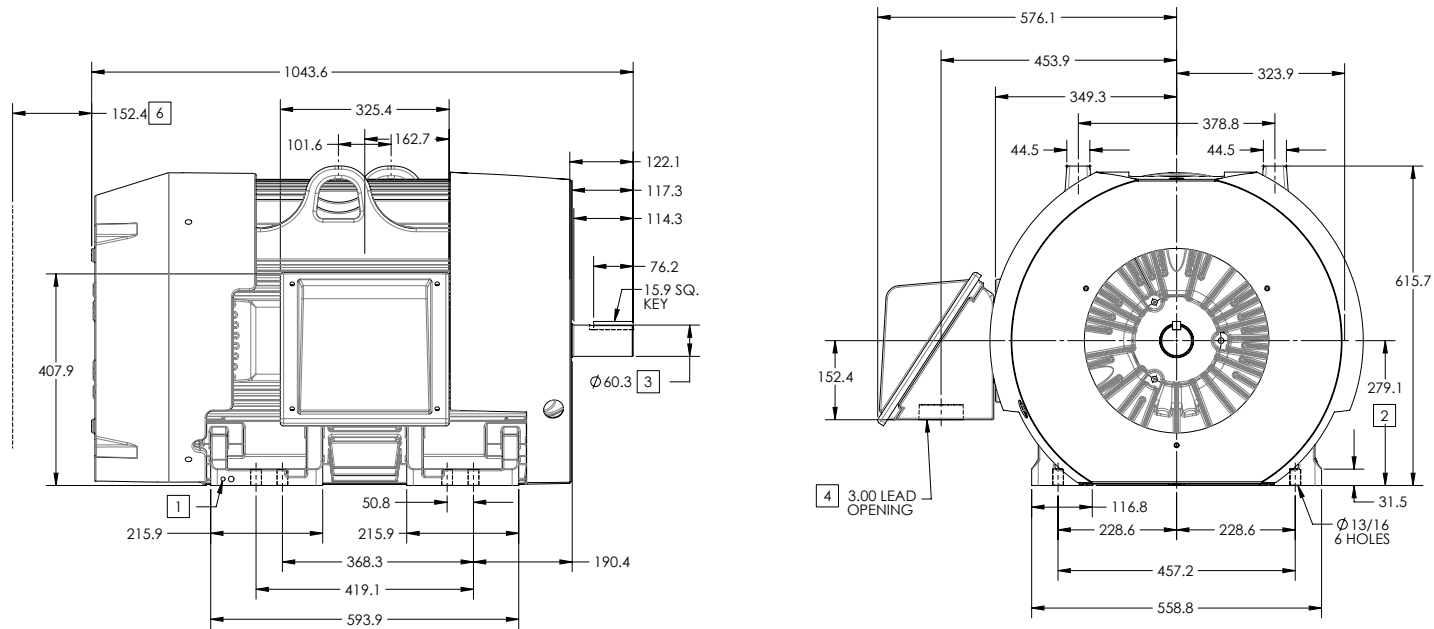
ENCLOSURE: TOTALLY ENCLOSED

FRAME G445TS ABOVE NEMA RATINGS

COOLING: FAN COOLED

MOUNTING: FOOT

INCLUDES 444TS FRAME MOUNTING HOLES



- 1. GROUND HOLES QTY 1 1/2-13 TAP; QTY 1 3/8-16 TAP
- 2. VARIES +.00,-.06
- 3. VARIES +.00,-.001
- 4. ON STANDARD MOTORS THIS IS CONDUIT SIZE. ON XT AND CORROSION PROOF MOTOR THIS IS PIPE TAP.
- 5. MOTOR WEIGHTS MAY VARY BY 15% DEPENDING ON RATING.
- 6. OBSTRUCTION MUST NO ENCROACH ON AIR INLET

CONDUIT BOX LOCATED ON OPPOSITE SIDE WHEN F-2.  
IF MOUNTING CLEARANCE DETAILS ARE REQUIRED, CONSULT FACTORY.  
MAXIMUM PERMISSIBLE SHAFT RUNOUT WHEN MEASURED AT END OF STANDARD SHAFT EXTENSION IS .08 MM T.I.R. TO 127 MM DIA.

**[5] WEIGHT (KGS): 950**

DRIVE END AIR DEFLECTOR IS ONLY INCLUDED WHEN NECESSARY.

DIMENSIONS ARE IN MILLIMETERS; SEE SHEET 1 FOR DIMENSIONS IN INCHES

CUSTOMER IS RESPONSIBLE FOR DETERMINING THAT MOTOR PERFORMANCE IS SUITABLE IN THE APPLICATION.

SHEET NUMBER  
**2 OF 2**


FIGURE NUMBER  
100-727-119

REV. D	VERSION: 04	REVISED: 01-45-46 09/09/2013	TDR: 000000816614
MODEL NO. 617427-004	REF:		
BY: RAGSS1	Material:		

**BALDOR**

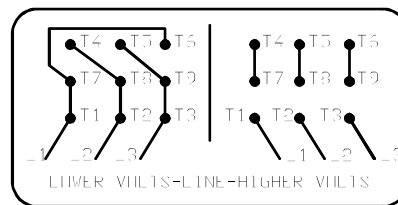
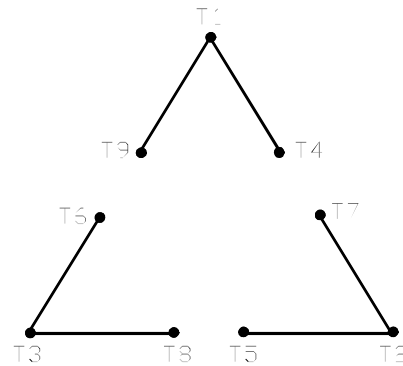
G445TS-444TS STD - FOOTED - SIDE-CENTER C/B

617427-004

SHAFT-BLK	Sample- <u>BLK</u>	Diameter AP	Sequence # 0000001 A	Material Spec <b>BLKAP0000001A</b>																																																																																																																																											
	<table border="1" style="width: 100%; border-collapse: collapse;"> <thead> <tr> <th style="width: 10%;">Diameter</th> <th style="width: 10%;">Code</th> <th style="width: 10%;">Sequence #</th> <th style="width: 40%;">Material Spec</th> <th style="width: 10%;">Code</th> </tr> </thead> <tbody> <tr><td>1.5</td><td>AA</td><td>XXXXXXX</td><td>046024-</td><td></td></tr> <tr><td>1.625</td><td>AB</td><td></td><td>FS CL1</td><td>A</td></tr> <tr><td>1.75</td><td>AC</td><td></td><td>FS CL2</td><td>B</td></tr> <tr><td>2</td><td>AD</td><td></td><td>AHS</td><td>C</td></tr> <tr><td>2.0625</td><td>AE</td><td></td><td>Z</td><td>D</td></tr> <tr><td>2.125</td><td>AF</td><td></td><td>NZ</td><td>E</td></tr> <tr><td>2.25</td><td>AG</td><td></td><td>GK</td><td>F</td></tr> <tr><td>2.5</td><td>AH</td><td></td><td>KA</td><td>G</td></tr> <tr><td>2.5625</td><td>AJ</td><td></td><td>APR CLVIII</td><td>J</td></tr> <tr><td>2.625</td><td>AK</td><td></td><td>LK</td><td>K</td></tr> <tr><td>2.75</td><td>AL</td><td></td><td>FS CL4</td><td>L</td></tr> <tr><td>3</td><td>AM</td><td></td><td>AAJ</td><td>M</td></tr> <tr><td>3.125</td><td>AN</td><td></td><td>HV</td><td>N</td></tr> <tr><td>3.25</td><td>AP</td><td></td><td>TB</td><td>P</td></tr> <tr><td>3.375</td><td>AQ</td><td></td><td>MR3008D38</td><td>Q</td></tr> <tr><td>3.5</td><td>AR</td><td></td><td>MU3000C75</td><td>R</td></tr> <tr><td>3.75</td><td>AS</td><td></td><td>MU3000D38</td><td>S</td></tr> <tr><td>3.875</td><td>AT</td><td></td><td>MU3002D12</td><td>T</td></tr> <tr><td>4.25</td><td>AU</td><td></td><td>MU3002D75</td><td>V</td></tr> <tr><td>4.5</td><td>AV</td><td></td><td>MU3003E75</td><td>W</td></tr> <tr><td>4.75</td><td>AW</td><td></td><td>MU3007D00</td><td>X</td></tr> <tr><td>5</td><td>AX</td><td></td><td></td><td></td></tr> <tr><td>5.25</td><td>AY</td><td></td><td></td><td></td></tr> <tr><td>5.5</td><td>AZ</td><td></td><td></td><td></td></tr> <tr><td>5.75</td><td>BA</td><td></td><td></td><td></td></tr> <tr><td>6.5</td><td>BB</td><td></td><td></td><td></td></tr> <tr><td>7.75</td><td>BC</td><td></td><td></td><td></td></tr> </tbody> </table>				Diameter	Code	Sequence #	Material Spec	Code	1.5	AA	XXXXXXX	046024-		1.625	AB		FS CL1	A	1.75	AC		FS CL2	B	2	AD		AHS	C	2.0625	AE		Z	D	2.125	AF		NZ	E	2.25	AG		GK	F	2.5	AH		KA	G	2.5625	AJ		APR CLVIII	J	2.625	AK		LK	K	2.75	AL		FS CL4	L	3	AM		AAJ	M	3.125	AN		HV	N	3.25	AP		TB	P	3.375	AQ		MR3008D38	Q	3.5	AR		MU3000C75	R	3.75	AS		MU3000D38	S	3.875	AT		MU3002D12	T	4.25	AU		MU3002D75	V	4.5	AV		MU3003E75	W	4.75	AW		MU3007D00	X	5	AX				5.25	AY				5.5	AZ				5.75	BA				6.5	BB				7.75	BC		
Diameter	Code	Sequence #	Material Spec	Code																																																																																																																																											
1.5	AA	XXXXXXX	046024-																																																																																																																																												
1.625	AB		FS CL1	A																																																																																																																																											
1.75	AC		FS CL2	B																																																																																																																																											
2	AD		AHS	C																																																																																																																																											
2.0625	AE		Z	D																																																																																																																																											
2.125	AF		NZ	E																																																																																																																																											
2.25	AG		GK	F																																																																																																																																											
2.5	AH		KA	G																																																																																																																																											
2.5625	AJ		APR CLVIII	J																																																																																																																																											
2.625	AK		LK	K																																																																																																																																											
2.75	AL		FS CL4	L																																																																																																																																											
3	AM		AAJ	M																																																																																																																																											
3.125	AN		HV	N																																																																																																																																											
3.25	AP		TB	P																																																																																																																																											
3.375	AQ		MR3008D38	Q																																																																																																																																											
3.5	AR		MU3000C75	R																																																																																																																																											
3.75	AS		MU3000D38	S																																																																																																																																											
3.875	AT		MU3002D12	T																																																																																																																																											
4.25	AU		MU3002D75	V																																																																																																																																											
4.5	AV		MU3003E75	W																																																																																																																																											
4.75	AW		MU3007D00	X																																																																																																																																											
5	AX																																																																																																																																														
5.25	AY																																																																																																																																														
5.5	AZ																																																																																																																																														
5.75	BA																																																																																																																																														
6.5	BB																																																																																																																																														
7.75	BC																																																																																																																																														
NOTE: DIMENSION ARE IN INCHES																																																																																																																																															
		REV. DESC: NEW - LOAD TO BUS	TDR:1061922																																																																																																																																												
		REV: -	REVISED: 2/22/2018		BY: RAGJSS1																																																																																																																																										
SHAFT BLANK PART NUMBER ASSIGNMENT																																																																																																																																															

416820-002

A-C MOTOR  
 CONNECTION DIAGRAM  
 STANDARD 9 LEAD DELTA-CONNECTED



(N.P. 1575-B)

416820-002

REV. DESC: FONT CHANGE FOR PDF SEARCHABLE		
REV. LTR: A	VERSION: 01	TDR: 000001009382
FILE: \MGA\00000\661	REVISED: 02:46:19 02/13/2020	BY: MGHMTT
MTL: -		© □

**BALDOR - RELIANCE®**

CONN DIAG - STANDARD 9 LEAD, DELTA-CONNECTED

SH 1 of 1