

**BALDOR • RELIANCE**

---

# Customer information packet

## ECP44206T-4

200HP, 1190RPM, 3PH, 60HZ, 449T, A44160M, TEFC

Class - None

Division - Division II

Copyright © All product information within this document is subject to ABB Motors and Mechanical Inc. copyright © protection, unless otherwise noted.

7/14/2022 5:37:07 PM

## Specifications

Enclosure	TEFC
Frame	449T
Frame Material	Iron
Frequency	60.00 Hz
Motor Letter Type	Three Phase
Output @ Frequency	200.000 HP @ 60 HZ
Phase	3
Synchronous Speed @ Frequency	1200 RPM @ 60 HZ
Voltage @ Frequency	460.0 V @ 60 HZ
XP Class and Group	None
XP Division	Division II
Agency Approvals	CSA EEV
Ambient Temperature	40 °C
Auxillary Box	No Auxillary Box
Base Indicator	Rigid
Bearing Grease Type	Polyrex EM (-20F +300F)
Constant Torque Speed Range	30-60
Current @ Voltage	225.000 A @ 460.0 V
Design Code	B
Drip Cover	No Drip Cover
Duty Rating	CONT
Efficiency @ 100% Load	95.8 %
Feedback Device	NO FEEDBACK
Heater Indicator	No Heater
High Voltage Full Load Amps	225.0 a
Insulation Class	F
Inverter Code	Not Inverter
KVA Code	G
Lifting Lugs	No Lifting Lugs
Motor Lead Quantity/Wire Size	6 @ 1 AWG
Motor Standards	NEMA
Motor Type	A44160M

## Part detail

Revision	S
Type	AC
Mech. spec.	
Base	
Status	PRD/A
Elec. spec.	A44WG1497
Layout	617427-003
Eff. date	04-08-2021
CD Diagram	416820-036
Poles	06
Leads	3#1 (02 per group)
Proprietary	False
Created date	08-16-2012

<b>Mounting Arrangement</b>	F1
<b>Number of Poles</b>	6
<b>Overall Length</b>	53.24 IN
<b>Power Factor</b>	87
<b>Pulley End Bearing Type</b>	Ball
<b>Pulley Face Code</b>	Standard
<b>Service Factor</b>	1.15
<b>Shaft Ground Indicator</b>	No Shaft Grounding
<b>Shaft Rotation</b>	Reversible
<b>Shaft Slinger Indicator</b>	Shaft Slinger
<b>Speed</b>	1190 rpm
<b>Speed Code</b>	Single Speed
<b>Starting Method</b>	Direct on line
<b>Thermal Device - Bearing</b>	None
<b>Thermal Device - Winding</b>	None
<b>XP Temp Code</b>	T3

**Nameplate**

**NP3238**

<b>CAT NO</b>	ECP44206T-4	<b>SPEC NO.</b>	P44G3948						
<b>HP</b>	200	<b>AMPS</b>	225	<b>VOLTS</b>	460	<b>DESIGN</b>	B		
<b>FRAME</b>	449T	<b>RPM</b>	1190	<b>HZ</b>	60	<b>AMB</b>	40	<b>SF</b>	1.15
<b>D.E. BRG.DATA</b>	6318	<b>O.D.E. BRG.DATA</b>	6318	<b>PH</b>	3	<b>DUTY</b>	CONT	<b>INSUL.CLASS</b>	F
<b>D.E. BRG.</b>	90BC03J30X	<b>TYPE</b>	P	<b>ENCL</b>	TEFC	<b>CODE</b>	G		
<b>O.D.E. BRG.</b>	90BC03J30X	<b>POWER FACTOR</b>	87	<b>NEMA NOM EFFICIENCY</b>	95.8				
<b>3/4 LOAD EFF.</b>	96.1	<b>MAX CORR KVAR</b>	35.0	<b>GUARANTEED EFFICIENCY</b>	95.0				
<b>TEMP CODE</b>	T3	<b>TEMP =</b>	200						
<b>CHP HZ</b>	60-90	<b>CT HZ</b>	30-60	<b>VT HZ</b>	0-60				
<b>INVERTER-TEMP-CODE</b>	T3								
<b>SER.NO.</b>		<b>MOTOR WEIGHT</b>	3104						

## Parts list

Part number	Description	Quantity
SA249718	SA P44G3948	1.000 ea
RA236578	RA P44G3948	1.000 ea
NP3238	SS CP XEX SEVERE DUTY MAIN NP	1.000 ea
000692000FF	N/P	1.000 ea
000692000VD	LABEL WARNING	1.000 ea
004824015A	GREASE POLYREX EM	1.156 lb
032018008CK	HHCS 3/8-16X1L PLATED	4.000 ea
032018020FK	HHCS 3/4-10X2-1/2 PLTD.	4.000 ea
032018030DK	HHCS 1/2-13X3-3/4 PLTD.	3.000 ea
032620016LA	SOCKET SET SCREW-449	3.000 ea
032018030DK	HHCS 1/2-13X3-3/4 PLTD.	3.000 ea
034017014AB	LCKW 3/8 STD. PLATED	4.000 ea
034180014DA	KEY 1/4X1/4X1-3/4 L	1.000 ea
034530064AB	P/NIP 1/8 X 8" L Pipe Nipple	1.000 ea
034530064BB	P/NIP 1/4X8 PLATED	1.000 ea
034631002AB	BUSH 1/4 TO 1/8 PLTD.	1.000 ea
078550001H	FAN KB 120/60 360	1.000 ea
083199082A	G28 FAN COVER MACHINING SHORT VERSION	1.000 ea
089490099A	G28 BRKT 089490098WCA KB	1.000 ea
410700004A	WSHR	1.000 ea
415045002A	SLGR	1.000 ea
415072001B	CLAMP	1.000 ea
415096002A	CPLG 1/8 HEX TYPE	1.000 ea
032018004BK	HHCS 5/16-18X1/2 PLATED	3.000 ea
032018006BK	HHCS 5/16-18X3/4 PLATED	3.000 ea
032018020FK	HHCS 3/4-10X2-1/2 PLTD.	4.000 ea
034017013AB	LCKW 5/16 STD. PLATED	3.000 ea
034530064AB	P/NIP 1/8 X 8" L Pipe Nipple	1.000 ea
034530064BB	P/NIP 1/4X8 PLATED	1.000 ea
034017013AB	LCKW 5/16 STD. PLATED	3.000 ea
034631002AB	BUSH 1/4 TO 1/8 PLTD.	1.000 ea

089490099A	G28 BRKT 089490098WCA KB	1.000 ea
415915007G	GASK, LAC	1.000 ft
415045002E	SLGR	1.000 ea
415096002A	CPLG 1/8 HEX TYPE	1.000 ea
418151014G	RETAIN RING	1.000 ea
702623022A	G28 AIR DEFLECTOR DRIVE END -- PLASTIC	1.000 ea
702623013A	THERMAL BARRIER -- G28 -- BRACKET MTD	1.000 ea
032018008BK	HHCS 5/16-18X1L PLATED	4.000 ea
032018008DK	HHCS 1/2-13X1 PLATED	4.000 ea
032018005DL	1/2-13 X 5/8 SILICON BRONZE HHCS	1.000 ea
035000001A	ALFTG 1/8" 1610-BL	1.000 ea
035000001A	ALFTG 1/8" 1610-BL	1.000 ea
067053014A	GASK 440	1.000 ea
076870000BA	CONDUIT BOX - 440 - 1/2-13 GROUND	1.000 ea
076871000A	+CBOX CVR BLKT - 449	1.000 ea
406056007A	GASKET, 440	1.000 ea
406099000A	PLUG - FAN COVER 320-440	1.000 ea
415000115H	T/LUG #2AWG-4/0AWG	1.000 ea
418150003A	GREASE FITTING CAP	1.000 ea
418150003A	GREASE FITTING CAP	1.000 ea
033775004EA	DRSCR #6-1/4 304 S.S.	2.000 ea
034180054KA	7/8 SQ X 6.75 KEY	1.000 ea
MG1025N19	WILKO 778.50 BLUE GREEN - 55 GAL DRUMS	0.375 ga
004824003CBY	WILKO PAINT 060.02 - ACTIVATOR	0.094 ga
L482401016	SPRAY AC-29-7S	0.019 ga
421948051	LABEL, MYLAR	1.000 ea
PK5004A09	BASE 48 X 39-1/4 STACK 2 X 4 RUNNER	1.000 ea
000613006PU	N/P (RELEASE QTY 10,000) UL CSA LABEL	1.000 ea
LB1449	DIV-2/NEC WARNING LABEL	1.000 ea
412118006A	DRAIN	2.000 ea
035000001G	GREASE RELIEF FITTING, ALEMITE 317400	1.000 ea
034690005AB	PPLG 3/4 PLATED	2.000 ea
035000001G	GREASE RELIEF FITTING, ALEMITE 317400	1.000 ea

617427-003

# DUTY MASTER ALTERNATING CURRENT MOTORS

## SQUIRREL-CAGE INDUCTION

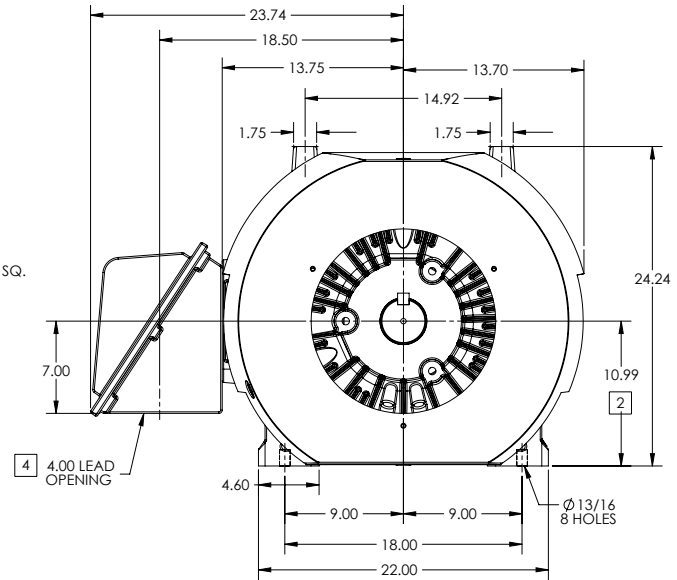
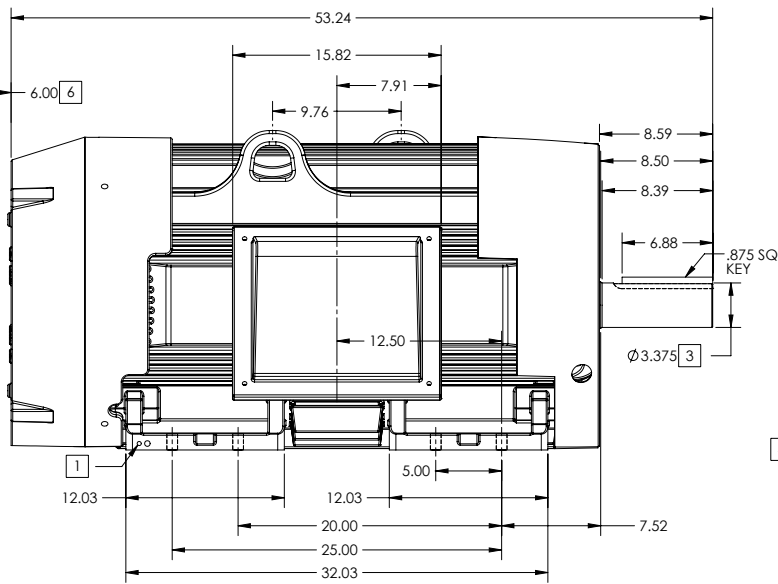
ENCLOSURE: TOTALLY ENCLOSED

FRAME 449T ABOVE NEMA RATINGS (1800 RPM MAX)

COOLING: FAN COOLED

MOUNTING: FOOT

INCLUDES 447T FRAME MOUNTING HOLES



- 1. GROUND HOLES QTY 1 1/2-13 TAP; QTY 1 3/8-16 TAP
- 2. VARIES +.00,-.06
- 3. VARIES +.00,-.001
- 4. ON STANDARD MOTORS THIS IS CONDUIT SIZE. ON XT AND CORROSION PROOF MOTOR THIS IS PIPE TAP.
- 5. MOTOR WEIGHTS MAY VARY BY 1.5% DEPENDING ON RATING.
- 6. OBSTRUCTION MUST NO ENCROACH ON AIR INLET

CONDUIT BOX LOCATED ON OPPOSITE SIDE WHEN F-2.  
IF MOUNTING CLEARANCE DETAILS ARE REQUIRED, CONSULT FACTORY.  
MAXIMUM PERMISSIBLE SHAFT RUNOUT WHEN MEASURED AT END OF STANDARD SHAFT EXTENSION IS .003" T.I.R. TO 5 INCH DIA.

**5** WEIGHT (LBS): 3080

DRIVE END AIR DEFLECTOR IS ONLY INCLUDED WHEN NECESSARY.

DIMENSIONS ARE IN INCHES; SEE SHEET 2 FOR DIMENSIONS IN MILLIMETERS

CUSTOMER IS RESPONSIBLE FOR DETERMINING THAT MOTOR PERFORMANCE IS SUITABLE IN THE APPLICATION.

SHEET NUMBER  
**1 OF 2**

E007-272119

REV. DESC: NEW DRAWING	VERSION: 02	REVISED: 11.32.34 10/23/2017	TDR: 000001048162
MODEL NO. 617427-003	BY: RAGRA		

**BALDOR**

G449T-447T STD - FOOTED - SIDE CENTER C/B

617427-003

617427-003

# DUTY MASTER ALTERNATING CURRENT MOTORS

## SQUIRREL-CAGE INDUCTION

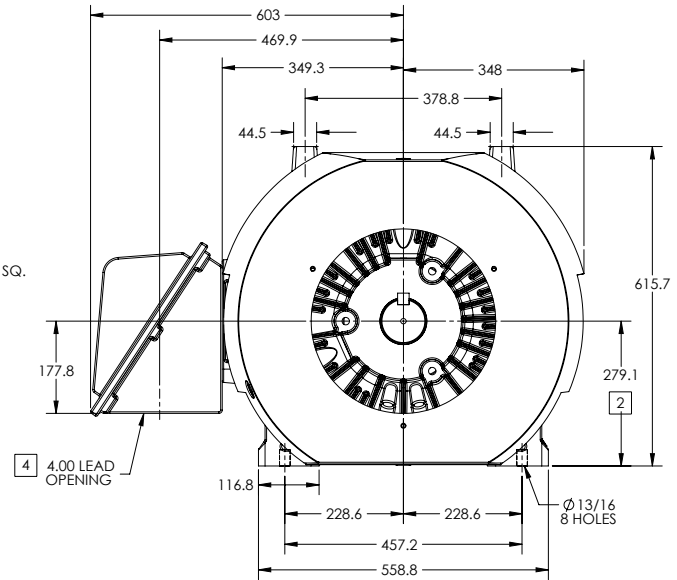
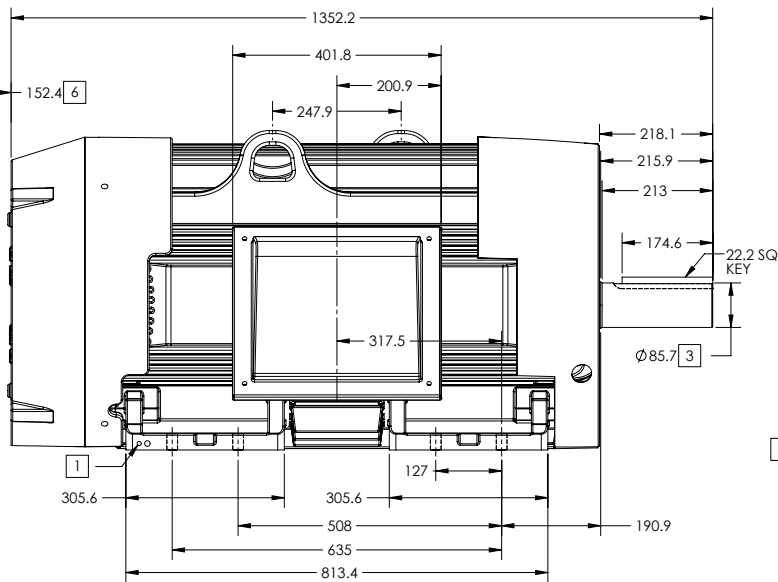
ENCLOSURE: TOTALLY ENCLOSED

FRAME 449T ABOVE NEMA RATINGS (1800 RPM MAX)

COOLING: FAN COOLED

MOUNTING: FOOT

INCLUDES 447T FRAME MOUNTING HOLES



1. GROUND HOLES QTY 1 1/2-13 TAP; QTY 1 3/8-16 TAP
2. VARIES +.00,-.06
3. VARIES +.000,-.001
4. ON STANDARD MOTORS THIS IS CONDUIT SIZE. ON XT AND CORROSION PROOF MOTOR THIS IS PIPE TAP.
5. MOTOR WEIGHTS MAY VARY BY 15% DEPENDING ON RATING.
6. OBSTRUCTION MUST NO ENCROACH ON AIR INLET

CONDUIT BOX LOCATED ON OPPOSITE SIDE WHEN F-2.  
IF MOUNTING CLEARANCE DETAILS ARE REQUIRED, CONSULT FACTORY.  
MAXIMUM PERMISSIBLE SHAFT RUNOUT WHEN MEASURED AT END OF  
STANDARD SHAFT EXTENSION IS .08 MM T.I.R. TO 127 MM DIA.

**5** WEIGHT (KGS): 1400

DRIVE END AIR DEFLECTOR IS ONLY INCLUDED WHEN NECESSARY.

DIMENSIONS ARE IN MILLIMETERS; SEE SHEET 1 FOR DIMENSIONS IN INCHES

CUSTOMER IS RESPONSIBLE FOR DETERMINING THAT MOTOR PERFORMANCE IS SUITABLE IN THE APPLICATION.

SHEET NUMBER  
**2 OF 2**

E007-LZF-119

REV. DESC: NEW DRAWING	VERSION: 02	REVISED: 11.32.34 10/23/2017	TDR: 000001048162
MODEL NO: 617427-003	BY: RAGRA		

**BALDOR**

G449T-447T STD - FOOTED - SIDE CENTER C/B

617427-003



416820-036

A-C MOTOR  
CONNECTION DIAGRAM  
STANDARD 3 LEAD CONNECTED



(N.P. 1575-BA)

416820-036

REV. DESC: LOADED TO BUS, C/R 335225		
REV. LTR: -	VERSION: 00	TDR: 000000538207
FILE: \MGA\00000\682	REVISED: 11: 54: 06 04/30/2010	
MTL: -	BY: RAGRA	

**BALDOR**

CONN DIAG - STANDARD 3 LEAD  
SH 1 of 1