

BALDOR • RELIANCE

Customer information packet

ECP44206TR-4

200HP, 1190RPM, 3PH, 60HZ, 449T, A44160M, TEFC

Class - None

Division - Division II

Copyright © All product information within this document is subject to ABB Motors and Mechanical Inc. copyright © protection, unless otherwise noted.

7/14/2022 5:37:00 PM

Specifications

| | |
|-------------------------------|-----------------------------|
| Enclosure | TEFC |
| Frame | 449T |
| Frame Material | Iron |
| Frequency | 60.00 Hz |
| Motor Letter Type | Three Phase |
| Output @ Frequency | 200.000 HP @ 60 HZ |
| Phase | 3 |
| Synchronous Speed @ Frequency | 1200 RPM @ 60 HZ |
| Voltage @ Frequency | 460.0 V @ 60 HZ |
| XP Class and Group | None |
| XP Division | Division II |
| Agency Approvals | CSA EEV |
| Ambient Temperature | 40 °C |
| Auxillary Box | No Auxillary Box |
| Base Indicator | Rigid |
| Bearing Grease Type | Mobil SHC 220 (Athens Only) |
| Constant Torque Speed Range | 30-60 |
| Current @ Voltage | 225.000 A @ 460.0 V |
| Design Code | B |
| Drip Cover | No Drip Cover |
| Duty Rating | CONT |
| Efficiency @ 100% Load | 95.8 % |
| Feedback Device | NO FEEDBACK |
| Heater Indicator | No Heater |
| High Voltage Full Load Amps | 225.0 a |
| Insulation Class | F |
| Inverter Code | Not Inverter |
| KVA Code | G |
| Lifting Lugs | No Lifting Lugs |
| Motor Lead Quantity/Wire Size | 6 @ 1 AWG |
| Motor Standards | Other |
| Motor Type | A44160M |

Part detail

| | |
|--------------|--------------------|
| Revision | P |
| Type | AC |
| Mech. spec. | |
| Base | |
| Status | PRD/A |
| Elec. spec. | A44WG1497 |
| Layout | 617427-003 |
| Eff. date | 04-20-2021 |
| CD Diagram | 416820-036 |
| Poles | 06 |
| Leads | 3#1 (02 per group) |
| Proprietary | False |
| Created date | 08-16-2012 |

| | |
|---------------------------------|--------------------|
| Mounting Arrangement | F1 |
| Number of Poles | 6 |
| Overall Length | 53.24 IN |
| Power Factor | 87 |
| Pulley End Bearing Type | Roller |
| Pulley Face Code | Standard |
| Service Factor | 1.15 |
| Shaft Ground Indicator | No Shaft Grounding |
| Shaft Rotation | Reversible |
| Shaft Slinger Indicator | Shaft Slinger |
| Speed | 1190 rpm |
| Speed Code | Single Speed |
| Starting Method | Direct on line |
| Thermal Device - Bearing | None |
| Thermal Device - Winding | None |
| XP Temp Code | T3 |

Nameplate

NP3238

| | | | | | | | | | |
|---------------------------|--------------|------------------------|----------|------------------------------|------|---------------|------|--------------------|------|
| CAT NO | ECP44206TR-4 | SPEC NO. | P44G3949 | | | | | | |
| HP | 200 | AMPS | 225 | VOLTS | 460 | DESIGN | B | | |
| FRAME | 449T | RPM | 1190 | HZ | 60 | AMB | 40 | SF | 1.15 |
| D.E. BRG.DATA | NU222 | O.D.E. BRG.DATA | 6318 | PH | 3 | DUTY | CONT | INSUL.CLASS | F |
| D.E. BRG. | 110RU02M30X | TYPE | P | ENCL | TEFC | CODE | G | | |
| O.D.E. BRG. | 90BC03J30X | POWER FACTOR | 87 | NEMA NOM EFFICIENCY | 95.8 | | | | |
| 3/4 LOAD EFF. | 96.1 | MAX CORR KVAR | 35.0 | GUARANTEED EFFICIENCY | 95.0 | | | | |
| TEMP CODE | T3 | TEMP = | 200 | | | | | | |
| CHP HZ | 60-90 | CT HZ | 30-60 | VT HZ | 0-60 | | | | |
| INVERTER-TEMP-CODE | T3 | | | | | | | | |
| SER.NO. | | MOTOR WEIGHT | | | | | | | |

NP2496L

MOBIL SHC -220 GREASE

Parts list

| Part number | Description | Quantity |
|-------------|--|----------|
| SA249719 | SA P44G3949 | 1.000 ea |
| RA236579 | RA P44G3949 | 1.000 ea |
| NP3238 | SS CP XEX SEVERE DUTY MAIN NP | 1.000 ea |
| 000692000FF | N/P | 1.000 ea |
| 000692000RT | N/P | 1.000 ea |
| 000692000VD | LABEL WARNING | 1.000 ea |
| NP2496L | MOTOR LUBE NAMEPLATE | 1.000 ea |
| 004824015AP | GREASE MOBILITH SHC 220 | 1.156 lb |
| 032018008CK | HHCS 3/8-16X1L PLATED | 4.000 ea |
| 032018020FK | HHCS 3/4-10X2-1/2 PLTD. | 4.000 ea |
| 032018030DK | HHCS 1/2-13X3-3/4 PLTD. | 3.000 ea |
| 032620016LA | SOCKET SET SCREW-449 | 3.000 ea |
| 034017014AB | LCKW 3/8 STD. PLATED | 4.000 ea |
| 034180014DA | KEY 1/4X1/4X1-3/4 L | 1.000 ea |
| 034530064AB | P/NIP 1/8 X 8" L Pipe Nipple | 1.000 ea |
| 034530064BB | P/NIP 1/4X8 PLATED | 1.000 ea |
| 034631002AB | BUSH 1/4 TO 1/8 PLTD. | 1.000 ea |
| 078550001H | FAN KB 120/60 360 | 1.000 ea |
| 083199082A | G28 FAN COVER MACHINING SHORT VERSION | 1.000 ea |
| 089490099A | G28 BRKT 089490098WCA KB | 1.000 ea |
| 415045002A | SLGR | 1.000 ea |
| 415072001B | CLAMP | 1.000 ea |
| 415096002A | CPLG 1/8 HEX TYPE | 1.000 ea |
| 418151014G | RETAIN RING | 1.000 ea |
| 702623022A | G28 AIR DEFLECTOR DRIVE END -- PLASTIC | 1.000 ea |
| 032018004BK | HHCS 5/16-18X1/2 PLATED | 3.000 ea |
| 032018006BK | HHCS 5/16-18X3/4 PLATED | 3.000 ea |
| 032018020FK | HHCS 3/4-10X2-1/2 PLTD. | 4.000 ea |
| 032018030DK | HHCS 1/2-13X3-3/4 PLTD. | 3.000 ea |
| 034017013AB | LCKW 5/16 STD. PLATED | 3.000 ea |
| 034530064AB | P/NIP 1/8 X 8" L Pipe Nipple | 1.000 ea |

| | | |
|--------------|--|----------|
| 034530064BB | P/NIP 1/4X8 PLATED | 1.000 ea |
| 034631002AB | BUSH 1/4 TO 1/8 PLTD. | 1.000 ea |
| 089490101A | G28 BRKT 089490100WCA | 1.000 ea |
| 415915007G | GASK, LAC | 1.000 ft |
| 415045002D | SLGR - 440 V1T45B | 1.000 ea |
| 415096002A | CPLG 1/8 HEX TYPE | 1.000 ea |
| 418151014H | RETAIN RING | 1.000 ea |
| 702623013A | THERMAL BARRIER -- G28 -- BRACKET MTD | 1.000 ea |
| 032018008BK | HHCS 5/16-18X1L PLATED | 4.000 ea |
| 032018008DK | HHCS 1/2-13X1 PLATED | 4.000 ea |
| 032018005DL | 1/2-13 X 5/8 SILICON BRONZE HHCS | 1.000 ea |
| 035000001A | ALFTG 1/8" 1610-BL | 1.000 ea |
| 035000001A | ALFTG 1/8" 1610-BL | 1.000 ea |
| 067053014A | GASK 440 | 1.000 ea |
| 076870000BA | CONDUIT BOX - 440 - 1/2-13 GROUND | 1.000 ea |
| 076871000A | +CBOX CVR BLKT - 449 | 1.000 ea |
| 406056007A | GASKET, 440 | 1.000 ea |
| 406099000A | PLUG - FAN COVER 320-440 | 1.000 ea |
| 415000115H | T/LUG #2AWG-4/0AWG | 1.000 ea |
| 418150003A | GREASE FITTING CAP | 1.000 ea |
| 418150003A | GREASE FITTING CAP | 1.000 ea |
| 033775004EA | DRSCR #6-1/4 304 S.S. | 2.000 ea |
| 034180054KA | 7/8 SQ X 6.75 KEY | 1.000 ea |
| MG1025N19 | WILKO 778.50 BLUE GREEN - 55 GAL DRUMS | 0.375 ga |
| 004824003CBY | WILKO PAINT 060.02 - ACTIVATOR | 0.094 ga |
| L482401016 | SPRAY AC-29-7S | 0.013 ga |
| 421948051 | LABEL, MYLAR | 1.000 ea |
| 000613006PU | N/P (RELEASE QTY 10,000) UL CSA LABEL | 1.000 ea |
| LB1449 | DIV-2/NEC WARNING LABEL | 1.000 ea |
| 412118006A | DRAIN | 2.000 ea |
| 035000001G | GREASE RELIEF FITTING, ALEMITE 317400 | 1.000 ea |
| 034690005AB | PPLG 3/4 PLATED | 2.000 ea |
| 035000001G | GREASE RELIEF FITTING, ALEMITE 317400 | 1.000 ea |

617427-003

DUTY MASTER ALTERNATING CURRENT MOTORS

SQUIRREL-CAGE INDUCTION

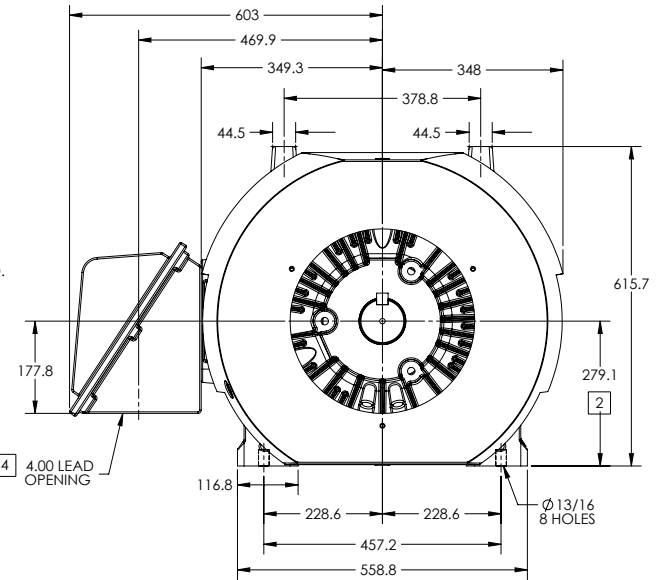
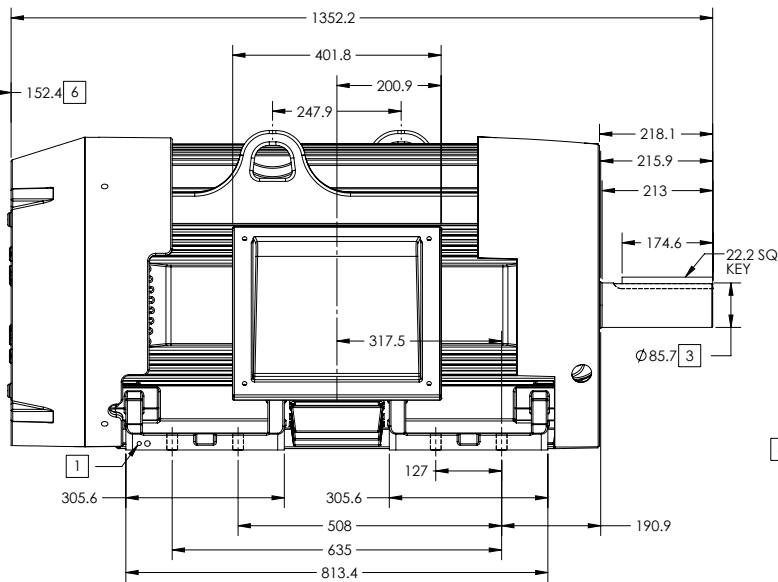
ENCLOSURE: TOTALLY ENCLOSED

FRAME 449T ABOVE NEMA RATINGS (1800 RPM MAX)

COOLING: FAN COOLED

MOUNTING: FOOT

INCLUDES 447T FRAME MOUNTING HOLES



- 1. GROUND HOLES QTY 1 1/2-13 TAP; QTY 1 3/8-16 TAP
- 2. VARIES +.00,-.06
- 3. VARIES +.000,-.001
- 4. ON STANDARD MOTORS THIS IS CONDUIT SIZE. ON XT AND CORROSION PROOF MOTOR THIS IS PIPE TAP.
- 5. MOTOR WEIGHTS MAY VARY BY 15% DEPENDING ON RATING.
- 6. OBSTRUCTION MUST NO ENCROACH ON AIR INLET

CONDUIT BOX LOCATED ON OPPOSITE SIDE WHEN F-2.
IF MOUNTING CLEARANCE DETAILS ARE REQUIRED, CONSULT FACTORY.
MAXIMUM PERMISSIBLE SHAFT RUNOUT WHEN MEASURED AT END OF STANDARD SHAFT EXTENSION IS .08 MM T.I.R. TO 127 MM DIA.

5 WEIGHT (KGS): 1400

DRIVE END AIR DEFLECTOR IS ONLY INCLUDED WHEN NECESSARY.

DIMENSIONS ARE IN MILLIMETERS; SEE SHEET 1 FOR DIMENSIONS IN INCHES

CUSTOMER IS RESPONSIBLE FOR DETERMINING THAT MOTOR PERFORMANCE IS SUITABLE IN THE APPLICATION.

SHEET NUMBER
2 OF 2

E007-L27-119

| | | | |
|------------------------|-------------|------------------------------|-------------------|
| REV. DESC: NEW DRAWING | VERSION: 02 | REVISED: 11.32.34 10/23/2017 | TDR: 000001048162 |
| MODEL NO. 617427-003 | BY: RAGRA | | |

BALDOR

G449T-447T STD - FOOTED - SIDE CENTER C/B

617427-003

416820-036

A-C MOTOR
CONNECTION DIAGRAM
STANDARD 3 LEAD CONNECTED



(N.P. 1575-BA)

416820-036

| | | |
|--------------------------------------|------------------------------|-------------------|
| REV. DESC: LOADED TO BUS, C/R 335225 | | |
| REV. LTR: - | VERSION: 00 | TDR: 000000538207 |
| FILE: \MGA\00000\682 | REVISED: 11:54:06 04/30/2010 | |
| MTL: - | BY: RAGRA | |

BALDOR

CONN DIAG - STANDARD 3 LEAD
SH 1 of 1