

**BALDOR • RELIANCE**

---

# Customer information packet

## ECP49354T-4

350HP, 1785RPM, 3PH, 60HZ, L449T, A44176M, TEF

Class - None

Division - Division II

## Specifications

Enclosure	TEFC
Frame	L449T
Frame Material	Iron
Frequency	60.00 Hz
Motor Letter Type	Three Phase
Output @ Frequency	350.000 HP @ 60 HZ
Phase	3
Synchronous Speed @ Frequency	1800 RPM @ 60 HZ
Voltage @ Frequency	460.0 V @ 60 HZ
XP Class and Group	None
XP Division	Division II
Agency Approvals	CSA EEV
Ambient Temperature	40 °C
Auxillary Box	No Auxillary Box
Base Indicator	Rigid
Bearing Grease Type	Polyrex EM (-20F +300F)
Constant Torque Speed Range	30-60
Current @ Voltage	384.000 A @ 460.0 V
Design Code	B
Drip Cover	No Drip Cover
Duty Rating	CONT
Efficiency @ 100% Load	96.2 %
Feedback Device	NO FEEDBACK
Frame Prefix	L
Heater Indicator	No Heater
High Voltage Full Load Amps	384.0 a
Insulation Class	F
Inverter Code	Not Inverter
KVA Code	G
Lifting Lugs	No Lifting Lugs
Motor Lead Quantity/Wire Size	12 @ 2 AWG
Motor Standards	NEMA

## Part detail

Revision	X
Type	AC
Mech. spec.	
Base	
Status	PRD/A
Elec. spec.	A44WG1557
Layout	617423-006
Eff. date	04-08-2021
CD Diagram	416820-036
Poles	04
Leads	3#2 (04 per group)
Proprietary	False
Created date	10-19-2010

<b>Motor Type</b>	A44176M
<b>Mounting Arrangement</b>	F1
<b>Number of Poles</b>	4
<b>Overall Length</b>	60.21 IN
<b>Power Factor</b>	88
<b>Pulley End Bearing Type</b>	Ball
<b>Pulley Face Code</b>	Standard
<b>Service Factor</b>	1.15
<b>Shaft Ground Indicator</b>	No Shaft Grounding
<b>Shaft Rotation</b>	Reversible
<b>Shaft Slinger Indicator</b>	Shaft Slinger
<b>Speed</b>	1785 rpm
<b>Speed Code</b>	Single Speed
<b>Starting Method</b>	Direct on line
<b>Thermal Device - Bearing</b>	None
<b>Thermal Device - Winding</b>	None
<b>XP Temp Code</b>	T2C

**Nameplate**

**NP3238**

<b>CAT NO</b>	ECP49354T-4	<b>SPEC NO.</b>	P44G5908							
<b>HP</b>	350	<b>AMPS</b>	384	<b>VOLTS</b>	460	<b>DESIGN</b>	B			
<b>FRAME</b>	L449T	<b>RPM</b>	1785	<b>HZ</b>	60	<b>AMB</b>	40	<b>SF</b>	1.15	
<b>D.E. BRG.DATA</b>	6222	<b>O.D.E. BRG.DATA</b>	6318		<b>PH</b>	3	<b>DUTY</b>	CONT	<b>INSUL.CLASS</b>	F
<b>D.E. BRG.</b>	110BC02J30X	<b>TYPE</b>	P	<b>ENCL</b>	TEFC	<b>CODE</b>	G			
<b>O.D.E. BRG.</b>	90BC03J30X	<b>POWER FACTOR</b>	87.9		<b>NEMA NOM EFFICIENCY</b>	96.2				
<b>3/4 LOAD EFF.</b>	96.6	<b>MAX CORR KVAR</b>	50		<b>GUARANTEED EFFICIENCY</b>	95.8				
<b>TEMP CODE</b>	T2C	<b>TEMP =</b>	230							
<b>CHP HZ</b>	60-90	<b>CT HZ</b>	30-60	<b>VT HZ</b>	0-60					
<b>INVERTER-TEMP-CODE</b>	T2C									
<b>SER.NO.</b>		<b>MOTOR WEIGHT</b>								

## Parts list

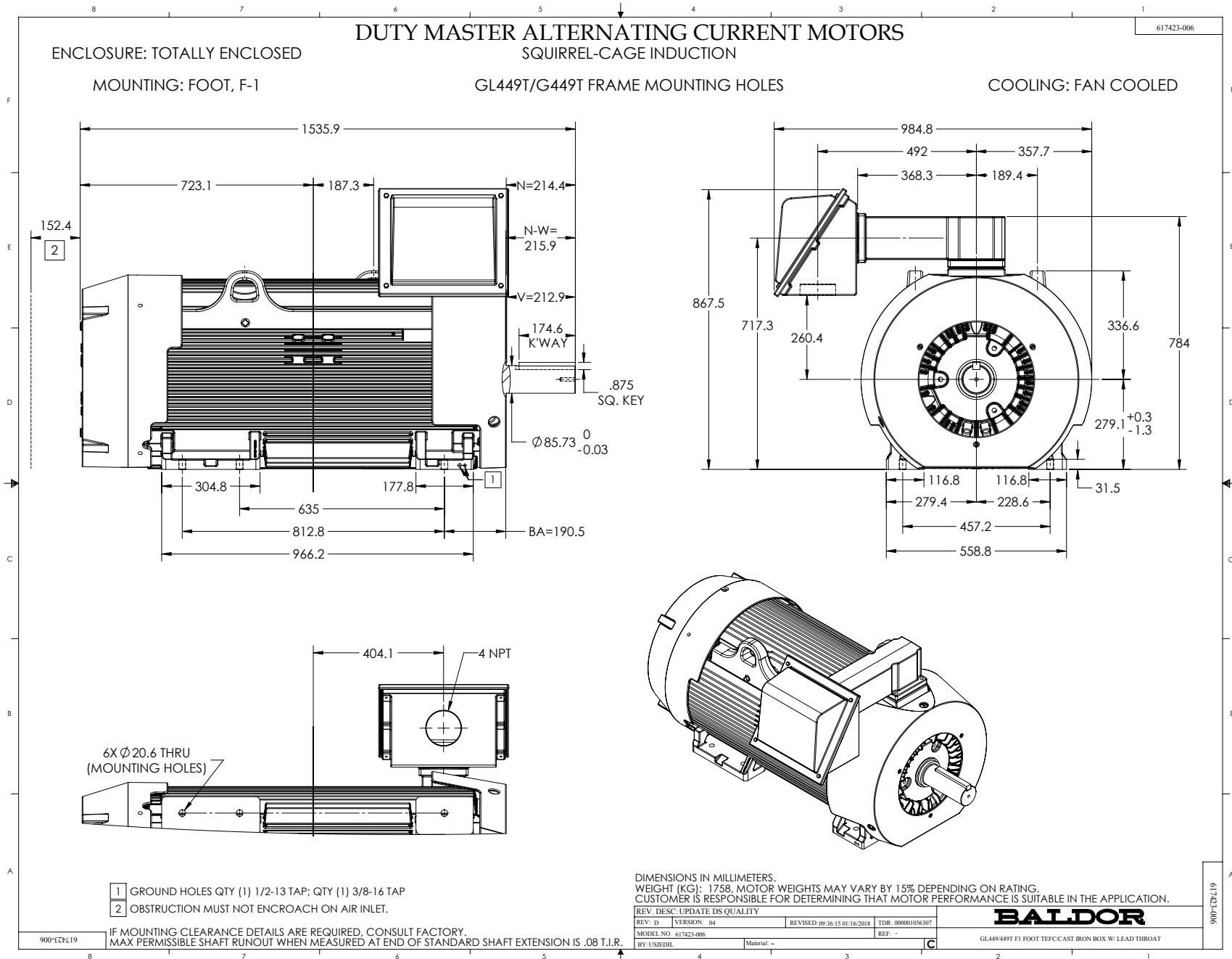
Part number	Description	Quantity
SA208364	SA P44G5908	1.000 ea
RA195629	RA P44G5908	1.000 ea
604799003C	PLASTIC BAG 42X32X46	1.000 ea
033300014AC	HEX NUT, SHIPPING - 400	2.000 ea
NP3238	SS CP XEX SEVERE DUTY MAIN NP	1.000 ea
000692000FF	N/P	1.000 ea
034001016AB	WSHR .562ID 1.375OD .109	2.000 ea
000692000VD	LABEL WARNING	1.000 ea
034001014AB	FLAT WASHER 3/8"PLATED	2.000 ea
032510026D	CARRIAGE BOLT - 440	2.000 ea
604797032	447/449 WIDE SHIPPING SKID 70" X 55"	1.000 ea
004824015A	GREASE POLYREX EM	1.156 lb
032018008CK	HHCS 3/8-16X1L PLATED	4.000 ea
032018020FK	HHCS 3/4-10X2-1/2 PLTD.	4.000 ea
032018030DK	HHCS 1/2-13X3-3/4 PLTD.	3.000 ea
032620016LA	SOCKET SET SCREW-449	3.000 ea
032018030DK	HHCS 1/2-13X3-3/4 PLTD.	3.000 ea
034017014AB	LCKW 3/8 STD. PLATED	4.000 ea
034180014DA	KEY 1/4X1/4X1-3/4 L	1.000 ea
032018020FK	HHCS 3/4-10X2-1/2 PLTD.	4.000 ea
034530064AB	P/NIP 1/8 X 8" L Pipe Nipple	1.000 ea
034530064BB	P/NIP 1/4X8 PLATED	1.000 ea
034631002AB	BUSH 1/4 TO 1/8 PLTD.	1.000 ea
035000001G	GREASE RELIEF FITTING, ALEMITE 317400	1.000 ea
034690005AB	PPLG 3/4 PLATED	2.000 ea
078549001DA	FAN 400 078549001F	1.000 ea
083199082RA	G28 SHORT FAN COVER W/BAFFLE ASSEMBLY	1.000 ea
089490099A	G28 BRKT 089490098WCA KB	1.000 ea
410700004A	WSHR	1.000 ea
415045002A	SLGR	1.000 ea
415072001B	CLAMP	1.000 ea

415096002A	CPLG 1/8 HEX TYPE	1.000 ea
089490101A	G28 BRKT 089490100WCA	1.000 ea
415915007G	GASK, LAC	1.000 ft
415045002D	SLGR - 440 V1T45B	1.000 ea
415096002A	CPLG 1/8 HEX TYPE	1.000 ea
418151014H	RETAIN RING	1.000 ea
702623022A	G28 AIR DEFLECTOR DRIVE END -- PLASTIC	1.000 ea
032018004BK	HHCS 5/16-18X1/2 PLATED	3.000 ea
032018006BK	HHCS 5/16-18X3/4 PLATED	3.000 ea
034017013AB	LCKW 5/16 STD. PLATED	3.000 ea
034530056AB	1/8 X 7 PP NIPPLE	1.000 ea
034530056BB	P/NIP 1/4X7 SCHED 40	1.000 ea
034631002AB	BUSH 1/4 TO 1/8 PLTD.	1.000 ea
035000001G	GREASE RELIEF FITTING, ALEMITE 317400	1.000 ea
034017013AB	LCKW 5/16 STD. PLATED	3.000 ea
702623013A	THERMAL BARRIER -- G28 -- BRACKET MTD	1.000 ea
032018008BK	HHCS 5/16-18X1L PLATED	4.000 ea
032018008DK	HHCS 1/2-13X1 PLATED	4.000 ea
032130014DB	HSHCS1/2-13X1-3/4 PLATE	4.000 ea
032018005DL	1/2-13 X 5/8 SILICON BRONZE HHCS	1.000 ea
034000016AB	WSHR .531ID 1.062OD .095	4.000 ea
035000001A	ALFTG 1/8" 1610-BL	1.000 ea
035000001A	ALFTG 1/8" 1610-BL	1.000 ea
067053014A	GASK 440	1.000 ea
076870000BA	CONDUIT BOX - 440 - 1/2-13 GROUND	1.000 ea
076871000A	+CBOX CVR BLKT - 449	1.000 ea
406056007A	GASKET, 440	1.000 ea
406099000A	PLUG - FAN COVER 320-440	1.000 ea
415000115H	T/LUG #2AWG-4/0AWG	1.000 ea
415030115A	G28 C/BOX 415030114WCA	1.000 ea
418150003A	GREASE FITTING CAP	1.000 ea
418150003A	GREASE FITTING CAP	1.000 ea
033775004EA	DRSCR #6-1/4 304 S.S.	2.000 ea
034180054KA	7/8 SQ X 6.75 KEY	1.000 ea

MG1025N19	WILKO 778.50 BLUE GREEN - 55 GAL DRUMS	0.375 ga
004824003CBY	WILKO PAINT 060.02 - ACTIVATOR	0.094 ga
L482401016	SPRAY AC-29-7S	0.013 ga
421948051	LABEL, MYLAR	1.000 ea
415039027A	GASKET, G28 LEAD THROAT	2.000 ea
LB1449	DIV-2/NEC WARNING LABEL	1.000 ea
000613006PU	N/P (RELEASE QTY 10,000) UL CSA LABEL	1.000 ea
412118006A	DRAIN	2.000 ea

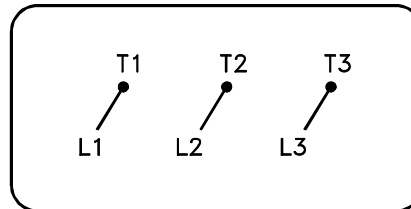






416820-036

A-C MOTOR  
CONNECTION DIAGRAM  
STANDARD 3 LEAD CONNECTED



(N.P. 1575-BA)

416820-036

REV. DESC: LOADED TO BUS, C/R 335225		
REV. LTR: -	VERSION: 00	TDR: 000000538207
FILE: \MGA\00000\682	REVISED: 11:54:06 04/30/2010	
MTL: -	BY: RAGRA	

**BALDOR**

CONN DIAG - STANDARD 3 LEAD  
SH 1 of 1