

BALDOR® • RELIANCE 

Product Information Packet

ECP82334T-4

20HP, 1760RPM, 3PH, 60HZ, 256T, TEFC, F1

Part Detail							
Revision:	M	Status:	PRD/A	Change #:		Proprietary:	No
Type:	AC	Elec. Spec:	09WGT417	CD Diagram:	CD0006	Mfg Plant:	
Mech. Spec:		Layout:	09LYJ287	Poles:	04	Created Date:	11-27-2018
Base:		Eff. Date:	02-28-2022	Leads:	3#12		

Specs			
Catalog Number:	ECP82334T-4	Inverter Code:	Inverter Duty
Enclosure:	TEFC	IP Rating:	IP56
Frame:	256T	KVA Code:	G
Frame Material:	Iron	Lifting Lugs:	Standard Lifting Lugs
Output @ Frequency:	20.000 HP @ 60 HZ	Locked Bearing Indicator:	Locked Bearing
Synchronous Speed @ Frequency:	1800 RPM @ 60 HZ	Motor Lead Quantity/Wire Size:	3 @ 12 AWG
Voltage @ Frequency:	460.0 V @ 60 HZ	Motor Lead Exit:	Ko Box
XP Class and Group:	CLI GP A,B,C,D	Motor Lead Termination:	Ring Terminals
XP Division:	Division II	Motor Type:	0964M
Agency Approvals:	CCSA US	Mounting Arrangement:	F1
	CSA EEV	Power Factor:	87
	UR	Product Family:	Chem Process S/P 32-8 IEEE 841
Auxillary Box:	No Auxillary Box	Pulley End Bearing Type:	Ball
Auxillary Box Lead Termination:	None	Pulley Face Code:	Standard
Base Indicator:	Rigid	Pulley Shaft Indicator:	Standard
Bearing Grease Type:	Polyrex EM (-20F +300F)	Rodent Screen:	None
Blower:	None	Shaft Extension Location:	Pulley End
Constant Torque Speed Range:	1.3	Shaft Ground Indicator:	No Shaft Grounding

Current @ Voltage:	23.000 A @ 460.0 V	Shaft Rotation:	Reversible
Design Code:	B	Shaft Slinger Indicator:	No Slinger
Drip Cover:	No Drip Cover	Speed Code:	Single Speed
Duty Rating:	CONT	Motor Standards:	NEMA
Electrically Isolated Bearing:	Not Electrically Isolated	Starting Method:	Direct on line
Enclosure Modification:	841	Thermal Device - Bearing:	None
Feedback Device:	NO FEEDBACK	Thermal Device - Winding:	None
Front Face Code:	Standard	Vibration Sensor Indicator:	No Vibration Sensor
Front Shaft Indicator:	None	Winding Thermal 1:	None
Heater Indicator:	No Heater	Winding Thermal 2:	None
Insulation Class:	F	XP Temp Code:	T3C

Nameplate NP3190											
STK.NO.	ECP82334T-4		P/N			ENCLOSURE	TEFC				
SPEC.	09-0000-0862		CC	010A	FRAME	256T	S/N				
HP	20		CLASS	F	HZ	60	ODE BRG	6309	DE BRG	6309	
RPM	1760	RPM MAX	2700	PH	3	DES	B	D.E. BRG.	45BC03X30X		
VOLT	460		KVA-CODE	G		O.D.E. BRG.	45BC03X30X				
AMP	23		MOTOR WEIGHT	322		GREASE	POLYREX EM				
RATING	40C AMB-CONT		MAX. KVAR	3.6		BLANK					
NEMA-NOM-EFF	93	# OF ROTOR BARS	40	SER.F.	1.15		IP	56			
G.MIN.EFF	91.7	# OF STATOR SLOTS	48	PF	87		INV.TYPE	PWM			
TEMP CODE	T3C		INVERTER-TEMP-CODE	160							
TEMP =	160		C HP FR	60	C HP TO	90					
CT HZ FROM	1.3	CT HZ TO	60								
HTR-VOLTS		HTR-AMPS		HTR-WATTS		MAX. SPACE HEATER TEMP.		VT HZ FROM	0-	VT HZ TO	60

Parts List		
Part Number	Description	Quantity
SA363332	SA 09-0000-0862	1.000 EA
RA352604	RA 09-0000-0862	1.000 EA
LB1115N	LABEL,LIFTING DEVICE (ON ROLLS)	1.000 EA
LB1119N	WARNING LABEL	1.000 EA
LC0006	CONNECTION LABEL	1.000 EA
LB1449	DIV-2/NEC WARNING LABEL	1.000 EA
NP3190	SS IEEE841 INV DIV-2 UL CSA-C US EEV	1.000 EA
85XU0407S04	4X1/4 U DRIVE PIN STAINLESS	4.000 EA
MN416A01	TAG-INSTAL-MAINT no wire (2100/bx) 4/22	1.000 EA
WD1000B49	T&B C73,RING TERMINAL 10-12 AWG 3/8 STUD	3.000 EA
HW3201A01	1/2-13 EYEBOLT	1.000 EA
HW1002A63	WASHER, 5/8 HI-COLLAR SPRICKWASHER	1.000 EA
WD1000B16	T&B CX70TN OR L70P TERMINAL LUG	1.000 EA
09FH1000LP5	FAN COVER, CAST W/EPOXY PRIMER & PAINT	1.000 EA
HW1001A38	LOCKWASHER 3/8, ZINC PLT .688 OD, .382 I	4.000 EA
XY3816A12	3/8-16 FINISHED NUT	4.000 EA
37FN3002B02	EXFN, PLASTIC, 7.50 OD, 1.503 ID	1.000 EA
HW2500A25	WOODRUFF KEY USA #1008 #BLOW CARBON STEE	1.000 EA
MJ1000A02	GREASE, MOBIL POLYREX EM - 124047	0.080 LB
10XN2520K06	1/4-20 X 3/8" HX HD SCREWGRADE 5, ZINC P	1.000 EA
80XN3118A12	5/16-18X3/4 HEX HEAD SET SCREW	4.000 EA
09EP1118A02LP5	FREP MACH, 309 BRG. EPOXY PRIMER & BLACK	1.000 EA
HA3400A39	STUD- 3/8-16 X 6.44 OAL HEX	4.000 EA
HW1001A38	LOCKWASHER 3/8, ZINC PLT .688 OD, .382 I	4.000 EA

Parts List (continued)		
Part Number	Description	Quantity
HW4601A61	INPRO SEAL #1698-A-17120-0, VBXX 309 BRG	1.000 EA
HW5100A11	W3917-042 WVY WSHR (WB)	1.000 EA
HA4017A02	.125X2.50 GREASER EXTENS.F/S	1.000 EA
HA4017A08	.125X3.50 GREASER EXTEN.	1.000 EA
HW4019A01	PIPE COUPLING 1/8 NPT,STEEL,ZINC COATING	1.000 EA
10XN2520K36	1/4-20 X 2.25" HX HD SCRWGRADE 5, ZINC P	4.000 EA
HA4051A00	PLASTIC CAP FOR GREASE FITTING	1.000 EA
HW4500A21	1618BALEMITE FITTING 825 UNIVERSAL	1.000 EA
HW4500A17	317400 ALEMITE GREASE RELIEF	1.000 EA
HW4500A20	1/8NPT SL PIPE PLUG	1.000 EA
HA4002A03	#304 S.S. DRAIN FITTING, .125 NPT (.44 H	1.000 EA
09EP1118A01P	PUEP MACH, 309 BRG.INPRO SEALS-EPOXY PRI	1.000 EA
HW1001A38	LOCKWASHER 3/8, ZINC PLT .688 OD, .382 I	4.000 EA
10XN3816K28	3/8-16 X 1.75 HEX HD CAP SCREW, GRADE 5	4.000 EA
HW4601A61	INPRO SEAL #1698-A-17120-0, VBXX 309 BRG	1.000 EA
HW4500A20	1/8NPT SL PIPE PLUG	1.000 EA
10XN2520K36	1/4-20 X 2.25" HX HD SCRWGRADE 5, ZINC P	4.000 EA
HA4051A00	PLASTIC CAP FOR GREASE FITTING	1.000 EA
HW4500A03	GREASE FITTING, .125 NPT 1610(ALEMITE) 8	1.000 EA
HW4500A17	317400 ALEMITE GREASE RELIEF	1.000 EA
HA4002A03	#304 S.S. DRAIN FITTING, .125 NPT (.44 H	1.000 EA
09CB1002A12P	KOBX W/1.25 NPT LEAD HOLE & 2.38 MTG HOL	1.000 EA
09GS1010	GASKET, DWG, LEADWIRE SEPERATOR	1.000 EA
10XN2520K12	1/4-20 X.75 GRD 5	4.000 EA

Product Information Packet: ECP82334T-4 - 20HP,1760RPM,3PH,60HZ,256T,TEFC,F1

HW1001A25	LOCKWASHER 1/4, ZINC PLT .493 OD, .255 I	4.000 EA
WD1000B16	T&B CX70TN OR L70P TERMINAL LUG	1.000 EA
59XW2520G07	.25-20X.44,HEX SER WSHR,TAPTITE 2,GREEN	1.000 EA
12CB1503P	CONDUIT BOX LID, CAST W/EPOXY PRIMER	1.000 EA
12GS1002	GASKET, CONDUIT BOX LID, NEOP	1.000 EA
10XN3118K16	5/16-18 X 1' GRADE #5, STL, ZINC PLATE	2.000 EA
HW1001A31	LOCKWASHER 5/16, ZINC PLT.591 OD, .319 I	2.000 EA
MG1025N19	WILKOFAS, 778.50, RELIANCE BLUE-GREEN	0.070 GA
MJ5001A27	32220KN GRAY SEALER *MIN BUY 4 QTS=1GAL	0.031 QT
MJ5002A01	SILICON RUBBER SEALANT, 732CL 10.3 OZ TU	0.033 EA
MJ5002A01	SILICON RUBBER SEALANT, 732CL 10.3 OZ TU	0.025 EA
40PA1005	PACKAGING GROUP, 09 STD	1.000 EA
HW2501G25	KEY, 3/8 SQ X 2.875	1.000 EA
MJ5004A59	ADHESIVE LOCTITE #401 SURFACE INSENSITIV	0.010 EA

AC Induction Motor Performance Data

Record # 72858

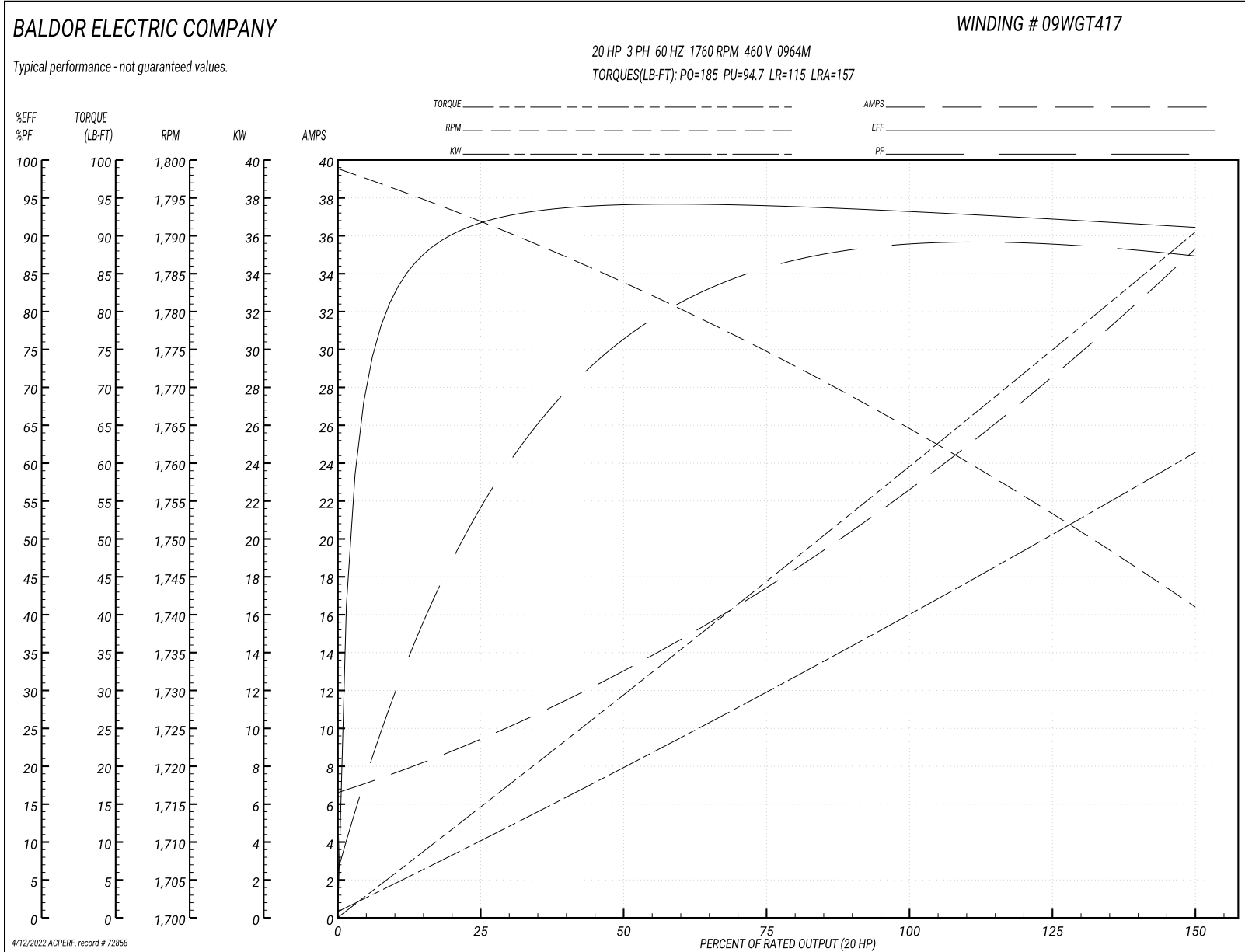
Typical performance - not guaranteed values

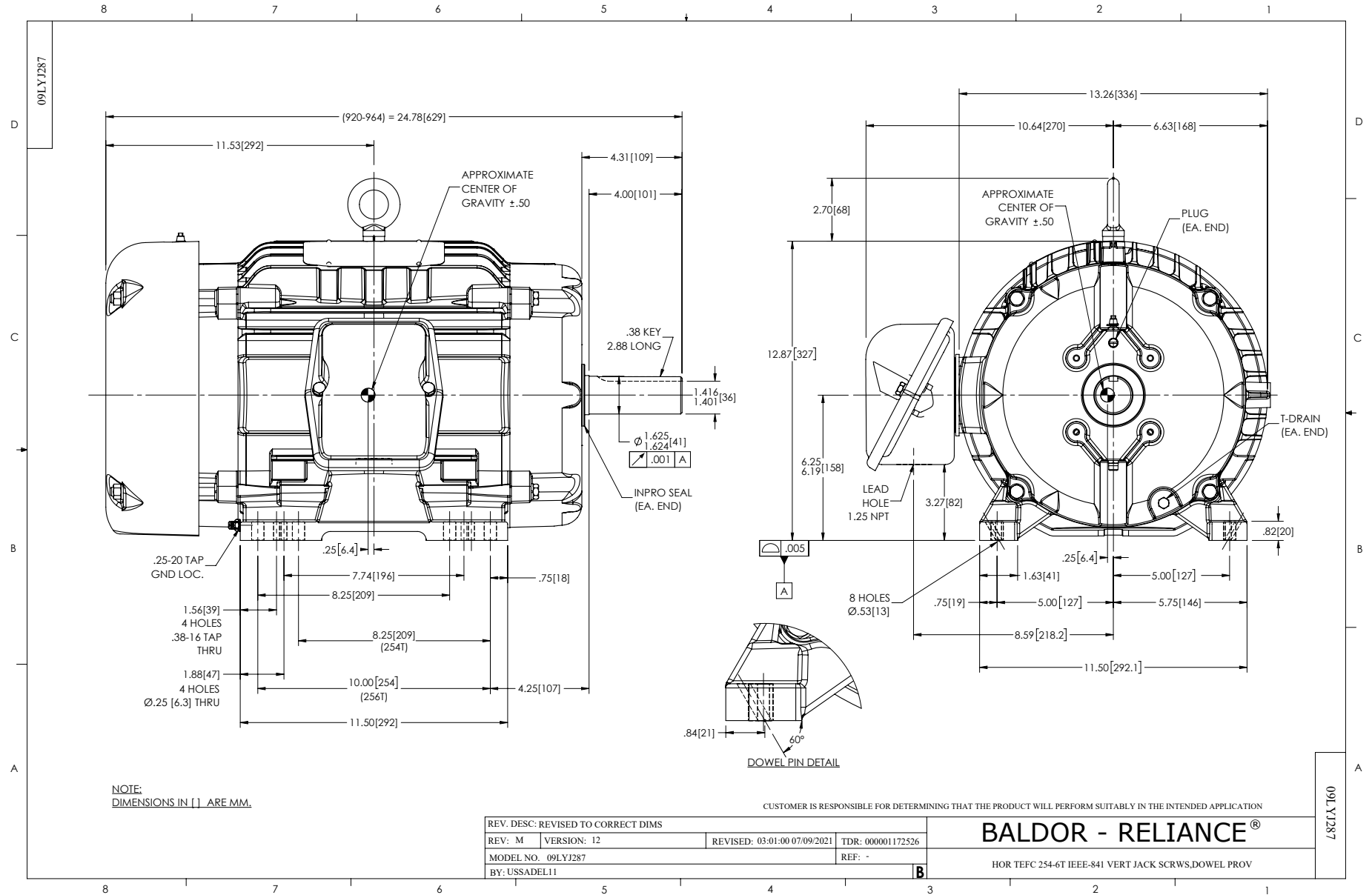
Winding: 09WGT417-R001		Type: 0964M		Enclosure: TEFC	
Nameplate Data			460 V, 60 Hz: Single Voltage Motor		
Rated Output (HP)	20	Full Load Torque	59.51 LB-FT		
Volts	460	Start Configuration	direct on line		
Full Load Amps	23	Breakdown Torque	185 LB-FT		
R.P.M.	1760	Pull-up Torque	94.7 LB-FT		
Hz	60 Phase	3	Locked-rotor Torque	115 LB-FT	
NEMA Design Code	B KVA Code	G	Starting Current	157 A	
Service Factor (S.F.)	1.15	No-load Current	7 A		
NEMA Nom. Eff.	93 Power Factor	87	Line-line Res. @ 25°C	0.41873 Ω	
Rating - Duty	40C AMB-CONT		Temp. Rise @ Rated Load	60°C	
S.F. Amps			Temp. Rise @ S.F. Load	76°C	
			Locked-rotor Power Factor	29.4	

Load Characteristics 460 V, 60 Hz, 20 HP

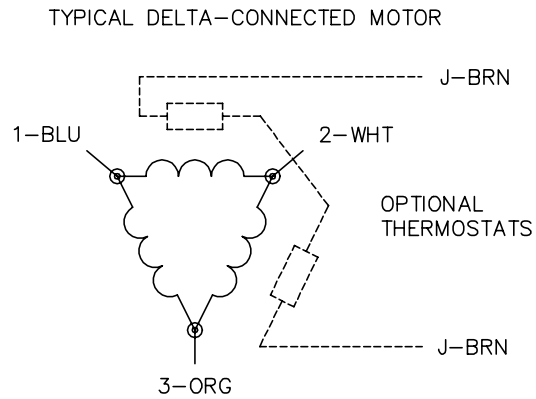
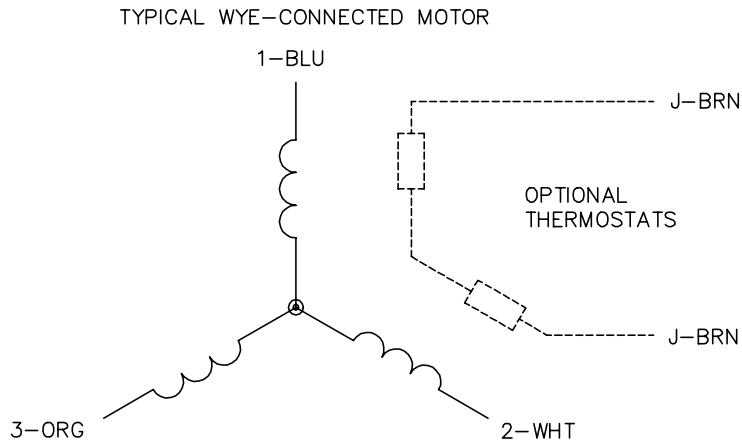
% of Rated Load	25	50	75	100	125	150	S.F.
Power Factor	58	78	85	88	88	88	88
Efficiency	91.4	93.8	93.9	93.3	92.3	91	92.7
Speed	1792.1	1783.4	1774.6	1764.6	1754	1740.6	1758
Line amperes	8.93	12.8	17.6	22.9	28.7	35.1	26.4

Performance Graph at 460V, 60Hz, 20.0HP Typical performance - Not guaranteed values





CD0006



NOTES:

1. THREE LEAD MOTOR MAY BE EITHER WYE CONNECTED OR DELTA CONNECTED.
2. INTERCHANGE ANY TWO LINE LEADS TO REVERSE ROTATION.
3. OPTIONAL THERMOSTATS ARE PROVIDED WHEN SPECIFIED.
4. ACTUAL NUMBER OF INTERNAL PARALLEL CIRCUITS MAY VARY.
5. LEAD COLORS ARE OPTIONAL. LEADS MUST BE NUMBERED AS SHOWN.

CD0006

REV. DESC: ADD CLASS CONN00000007		
REV. LTR: E	VERSION: 01	TDR: 000001099922
FILE: \AAA\00005\141	REVISED: 10:24:49 02/19/2019	BY: ENBRIRO
MTL: -		

BALDOR - RELIANCE®

3PH, SV, 3 LEADS, WYE OR DELTA CONNECTED

SH 1 of 1

Marketing maintained PDF of MN416:

<http://www.baldor.com/support/Literature/Load.ashx/MN416?ManNumber=MN416>