

**BALDOR® • RELIANCE** 

**Product Information Packet**

**ECP83774T-5**

**10HP,1760RPM,3PH,60HZ,215T,0748M,TEFC,F1**

Part Detail							
Revision:	AD	Status:	PRD/A	Change #:		Proprietary:	No
Type:	AC	Elec. Spec:	07WGY729	CD Diagram:	CD0006	Mfg Plant:	
Mech. Spec:	07K629	Layout:	07LYK629	Poles:	04	Created Date:	04-07-2010
Base:	RG	Eff. Date:	08-27-2021	Leads:	3#14		

Specs			
Catalog Number:	ECP83774T-5	Insulation Class:	F
Enclosure:	TEFC	Inverter Code:	Inverter Duty
Frame:	215T	KVA Code:	H
Frame Material:	Iron	Lifting Lugs:	Standard Lifting Lugs
Output @ Frequency:	10.000 HP @ 60 HZ	Locked Bearing Indicator:	Locked Bearing
Synchronous Speed @ Frequency:	1800 RPM @ 60 HZ	Motor Lead Quantity/Wire Size:	3 @ 14 AWG
Voltage @ Frequency:	575.0 V @ 60 HZ	Motor Lead Exit:	Ko Box
XP Class and Group:	CLI GP A,B,C,D	Motor Lead Termination:	Flying Leads
XP Division:	Division II	Motor Type:	0748M
Agency Approvals:	CSA	Mounting Arrangement:	F1
	CSA EEV	Power Factor:	83
	UR	Product Family:	Chem Process S/P 32-8 IEEE 841
Auxillary Box:	No Auxillary Box	Pulley End Bearing Type:	Ball
Auxillary Box Lead Termination:	None	Pulley Face Code:	Standard
Base Indicator:	Rigid	Pulley Shaft Indicator:	Standard
Bearing Grease Type:	Polyrex EM (-20F +300F)	Rodent Screen:	None
Blower:	None	Shaft Extension Location:	Pulley End
Constant Torque Speed Range:	1.3	Shaft Ground Indicator:	No Shaft Grounding

<b>Current @ Voltage:</b>	9.800 A @ 575.0 V	<b>Shaft Rotation:</b>	Reversible
<b>Design Code:</b>	B	<b>Shaft Slinger Indicator:</b>	Shaft Slinger
<b>Drip Cover:</b>	No Drip Cover	<b>Speed Code:</b>	Single Speed
<b>Duty Rating:</b>	CONT	<b>Motor Standards:</b>	NEMA
<b>Electrically Isolated Bearing:</b>	Not Electrically Isolated	<b>Starting Method:</b>	Direct on line
<b>Enclosure Modification:</b>	841	<b>Thermal Device - Bearing:</b>	None
<b>Feedback Device:</b>	NO FEEDBACK	<b>Thermal Device - Winding:</b>	None
<b>Front Face Code:</b>	Standard	<b>Vibration Sensor Indicator:</b>	No Vibration Sensor
<b>Front Shaft Indicator:</b>	None	<b>Winding Thermal 1:</b>	None
<b>Heater Indicator:</b>	No Heater	<b>Winding Thermal 2:</b>	None
		<b>XP Temp Code:</b>	T3C

<b>Nameplate NP3235E</b>			
<b>CAT.NO.</b>	ECP83774T-5		
<b>SPEC.</b>	07K629Y729G1		
<b>HP</b>	10	<b>TE</b>	<b>IP</b> 56
<b>VOLTS</b>	575		
<b>AMPS</b>	9.8		
<b>R.P.M.</b>	1760		
<b>FRAME</b>	215T	<b>HZ</b>	60
<b>SER.F.</b>	1.15	<b>CODE</b>	H <b>DES.</b> B
<b>RATING</b>	40C AMB-CONT		
<b>SN</b>			
<b>DE</b>	6307	<b>ODE</b>	6307
<b>NEMA NOM. EFF.</b>	91.7	<b>P.F.</b>	83
<b>GUAR. MIN. EFF.</b>	90.2	<b>CC</b>	010A
<b>T. CODE</b>	T3C	<b>TEMP=</b>	160
		<b>PH</b>	3
		<b>CLASS</b>	F

Nameplate NP3186E			
SPEC.	07K629Y729G1		
ABMA DE BRG	35BC03X30X		
ABMA ODE BRG	35BC03X30X		
GREASE	POLYREX EM		
MOTOR WEIGHT	231	ROTOR BARS	28
MAX. R.P.M.	2700	MAX. KVAR	1.53
		STATOR BARS	36
INV. TYPE	PWM		
T=	160	TO	90
CHP	60	TO	60
CT	1.3	TO	60
VT	0-		
HTR-VOLTS	N/A	HTR-AMPS	N/A
HTR-WATTS			
		MAX. SPACE HEATER TEMP.	N/A

Parts List		
Part Number	Description	Quantity
SA193400	SA 07K629Y729G1	1.000 EA
RA181010	RA 07K629Y729G1	1.000 EA
37FN3002C01	EXFN, PLASTIC, 6.00 OD, 1.155 ID	1.000 EA
HW3201A05	3/8-16 EYEBOLT	1.000 EA
09CB1002A05G	CONDUIT BOX, 1.00 N.P.T. (GRAY)	1.000 EA
RM1017	LEAD SEPERATOR GASKET MODEL 307 1/8" THK	1.000 EA
19XW2520A16	SCREW,1/4-20X1 TAPTITE-II OR ROLOC 91	2.000 EA
HW1001A25	LOCKWASHER 1/4, ZINC PLT .493 OD, .255 I	2.000 EA
11XW1032G06	10-32 X .38, TAPTITE II, HEX WSHR SLTD U	1.000 EA
HW3001B01	BRASS CUP WASHER, FOR #10 SCREW	1.000 EA
10XN2520S06	1/4 20X3/8 HX HD CAP S.S.	1.000 EA
WD1000B16	T&B CX70TN OR L70P TERMINAL LUG	1.000 EA
07EP1119A02G	307 BRG,C.I.FH,GRSR,RLF,DRAIN FITTING,IN	1.000 EA
HW4601B25	INPRO SEAL, 307 BRG, MINI66	1.000 EA
10XN2520A26	1/4-20X 1 5/8 HEX HD	4.000 EA
XY3118A12	5/16-18 HEX NUT DIRECTIONAL SERRATION	4.000 EA
HW4500A32	FIT./EXT 1698-B (ALEMITE)GREASE FITTING	1.000 EA
HA4051A00	PLASTIC CAP FOR GREASE FITTING	1.000 EA
HW4500A17	317400 ALEMITE GREASE RELIEF	1.000 EA
HA4010A01	T-DRAIN PLUG,416 S.S.,W/ 1/4-28 THD & .0	1.000 EA
HA3104A32	THRUBOLT- 5/16-18 X12.750	4.000 EA
HW5100A08	W3118-035 WVY WSHR (WB)	1.000 EA
07EP1119A01G	307 BRG,BRG RET,GRSR,RLF,DRAIN FITTING,I	1.000 EA
HW4601B25	INPRO SEAL, 307 BRG, MINI66	1.000 EA

Parts List (continued)		
Part Number	Description	Quantity
HW4500A01	1641B(ALEMITE)400 UNIV, GREASE FITT	1.000 EA
HA4051A00	PLASTIC CAP FOR GREASE FITTING	1.000 EA
HW4500A17	317400 ALEMITE GREASE RELIEF	1.000 EA
10XN2520A26	1/4-20X 1 5/8 HEX HD	4.000 EA
HA4010A01	T-DRAIN PLUG,416 S.S.,W/ 1/4-28 THD & .0	1.000 EA
07FH1001A01G	SPL FAN HOUSING, 307, W/GREASER, GRAY EP	1.000 EA
10XN2520A28	1/4-20X 1 3/4 HEX HD	3.000 EA
WD4100A02	DP-1000 HEYCO PLUG OR 62MP1000 MICRO PL	1.000 EA
12CB1503G	CONDUIT BOX CAST. (GRAY)	1.000 EA
09GS1013A01	09 GS FOR 09CB3501 LID - BLACK NEOPRENE	1.000 EA
10XN2520A12	1/4-20 X 3/4 HEX HEAD CAP	2.000 EA
MJ5004A59	ADHESIVE LOCTITE #401 SURFACE INSENSITIV	0.010 EA
HW2501F21	KEY, 5/16 SQ X 2.375	1.000 EA
HA7000A02	KEY RETAINER RING, 1 1/8 DIA, 1 3/8 DIA	1.000 EA
MJ5001A27	32220KN GRAY SEALER *MIN BUY 4 QTS=1GAL	0.001 QT
MJ1000A73	INPRO P-80 ASSEMBLY LUB./ 1 QT. CONTAIN	0.001 QT
85XU0407S04	4X1/4 U DRIVE PIN STAINLESS	4.000 EA
LB1115N	LABEL,LIFTING DEVICE (ON ROLLS)	1.000 EA
LT0019A00	MOTOR NO-LOAD PERFORMANCE DATA SHEET	1.000 EA
WD1000D21	TRM,T&B #B71M,RING,18-14,.25,NON-INSL	3.000 EA
MJ1000A02	GREASE, MOBIL POLYREX EM - 124047	0.050 LB
51XB1214A20	12-14X1.25 HXWSSLD SERTYB	1.000 EA
MG1025N19	WILKOFASST, 778.50, RELIANCE BLUE-GREEN	0.036 GA
LB1119N	WARNING LABEL	1.000 EA

Product Information Packet: ECP83774T-5 - 10HP,1760RPM,3PH,60HZ,215T,0748M,TEFC,F1

LB1002N	LABEL,MARINE DUTY (ON ROLLS)	1.000 EA
LC0006	CONNECTION LABEL	1.000 EA
LB1449	DIV-2/NEC WARNING LABEL	1.000 EA
NP3235E	SS IEEE841 DIV-2 UL CSA-C US EEV PREM	1.000 EA
NP3186E	SS IEEE841 INV AUX DATA INFORMATION	1.000 EA
07PA1011	PKG GRP, 07 CAST IRON PK1181	1.000 EA
10XL3808A28	3/8 X 1 3/4" LAG SCREW	2.000 EA
MN416A01	TAG-INSTAL-MAINT no wire (2100/bx) 4/22	1.000 EA



**AC Induction Motor Performance Data**

Record # 92589

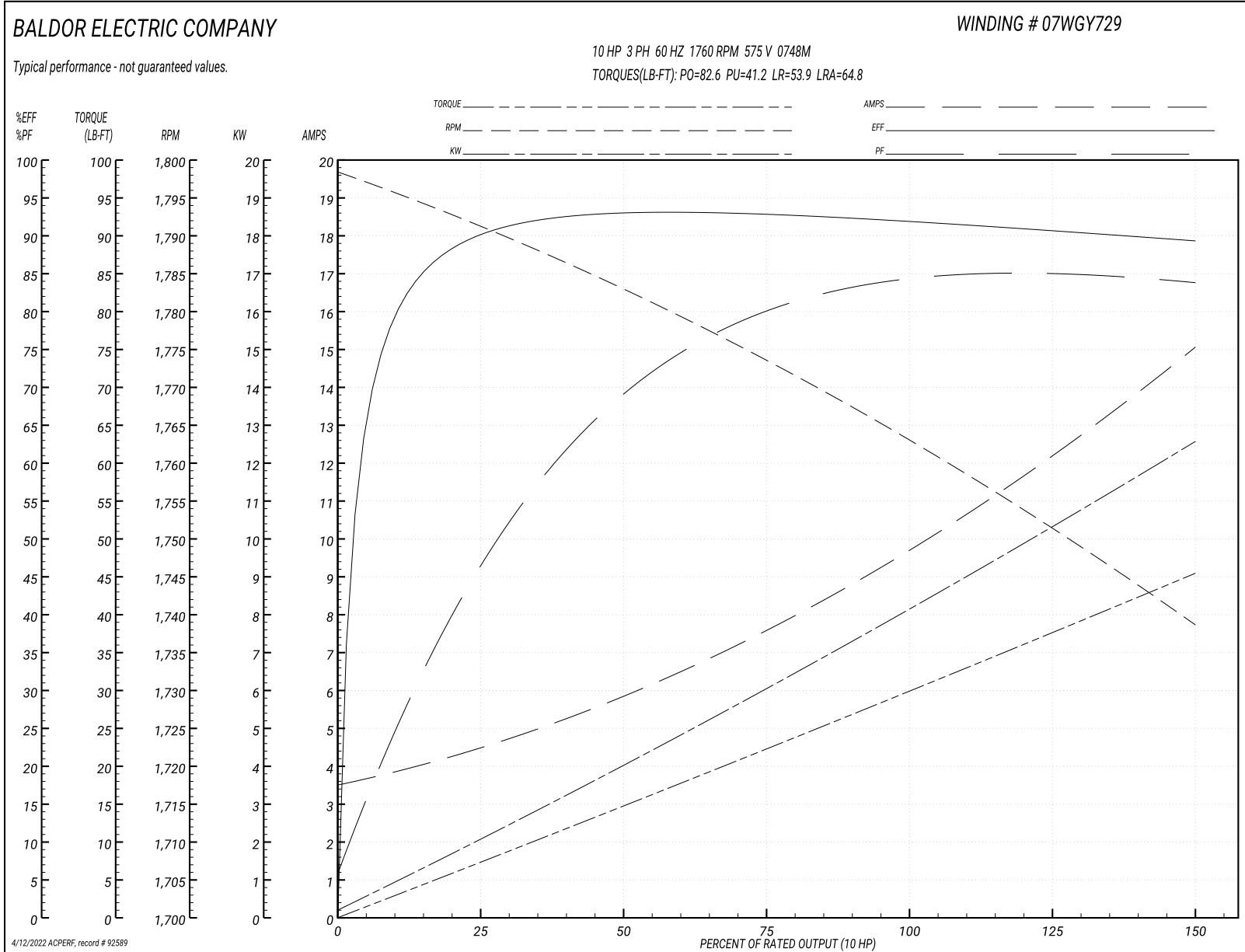
Typical performance - not guaranteed values

<b>Winding: 07WGY729-R027</b>		<b>Type: 0748M</b>		<b>Enclosure: TEFC</b>		
<b>Nameplate Data</b>			<b>575 V, 60 Hz: Single Voltage Motor</b>			
<b>Rated Output (HP)</b>	10	<b>Full Load Torque</b>	29.8 LB-FT			
<b>Volts</b>	575	<b>Start Configuration</b>	direct on line			
<b>Full Load Amps</b>	9.8	<b>Breakdown Torque</b>	82.6 LB-FT			
<b>R.P.M.</b>	1760	<b>Pull-up Torque</b>	41.2 LB-FT			
<b>Hz</b>	60 <b>Phase</b>	3	<b>Locked-rotor Torque</b>	53.9 LB-FT		
<b>NEMA Design Code</b>	B <b>KVA Code</b>	H	<b>Starting Current</b>	64.8 A		
<b>Service Factor (S.F.)</b>	1.15	<b>No-load Current</b>	3.65 A			
<b>NEMA Nom. Eff.</b>	91.7 <b>Power Factor</b>	83	<b>Line-line Res. @ 25°C</b>	1.68 Ω		
<b>Rating - Duty</b>	40C AMB-CONT	<b>Temp. Rise @ Rated Load</b>	64°C			
<b>S.F. Amps</b>		<b>Temp. Rise @ S.F. Load</b>	81°C			
		<b>Locked-rotor Power Factor</b>	35.4			
		<b>Rotor inertia</b>	1.18 lb-ft <sup>2</sup>			

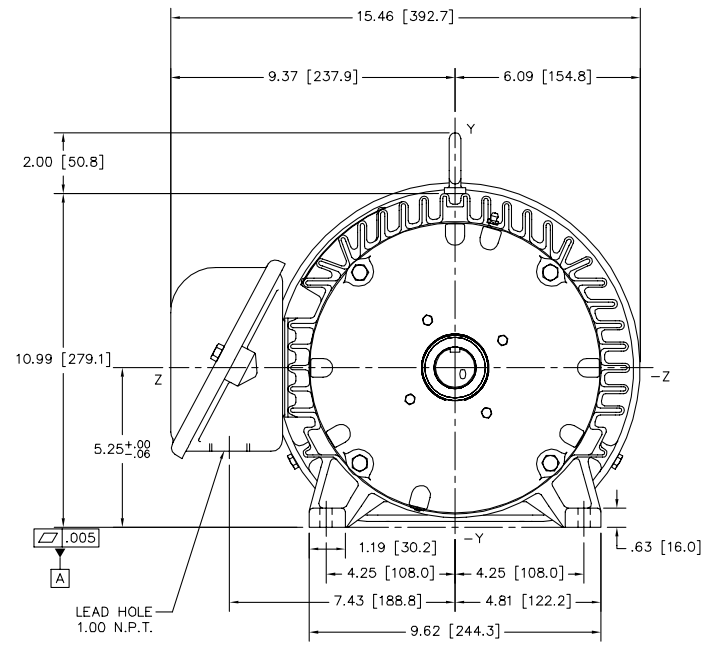
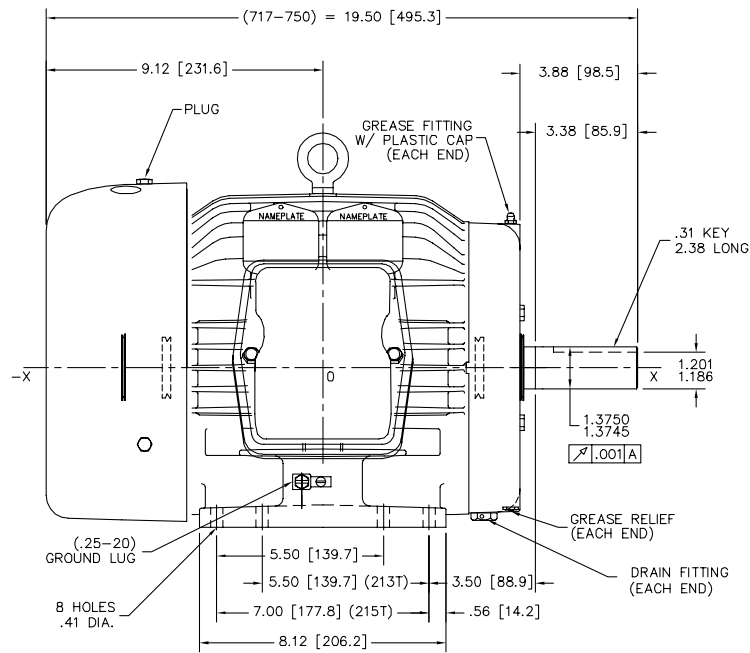
**Load Characteristics 575 V, 60 Hz, 10 HP**

<b>% of Rated Load</b>	<b>25</b>	<b>50</b>	<b>75</b>	<b>100</b>	<b>125</b>	<b>150</b>	<b>S.F.</b>
<b>Power Factor</b>	49	70	79	83	85	84	84
<b>Efficiency</b>	90.1	92.1	92.7	91.7	90.9	89.1	91.5
<b>Speed</b>	1791	1782	1774	1764	1752	1738	1757
<b>Line amperes</b>	4.28	5.74	7.6	9.79	12.2	15	11.2

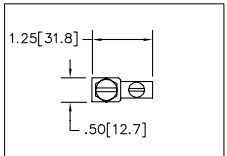
Performance Graph at 575V, 60Hz, 10.0HP Typical performance - Not guaranteed values



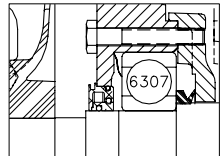
07LYK629



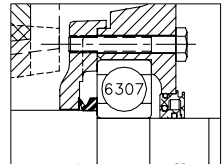
\*MAIN CONDUIT BOX VOLUME 70 CUBIC IN.



GROUND LUG DETAIL



FRONT END DETAIL



PULLEY END DETAIL

SPEC	MOTOR WEIGHT	C.O.G. FROM CENTERLINE
07K629X813G32	231 LBS	X=.01, Y=.48, Z=.24

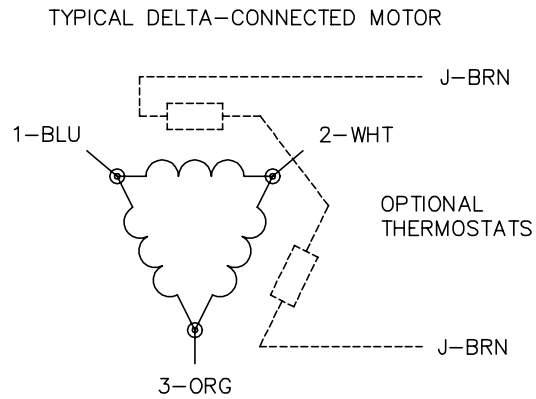
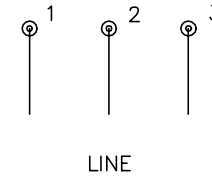
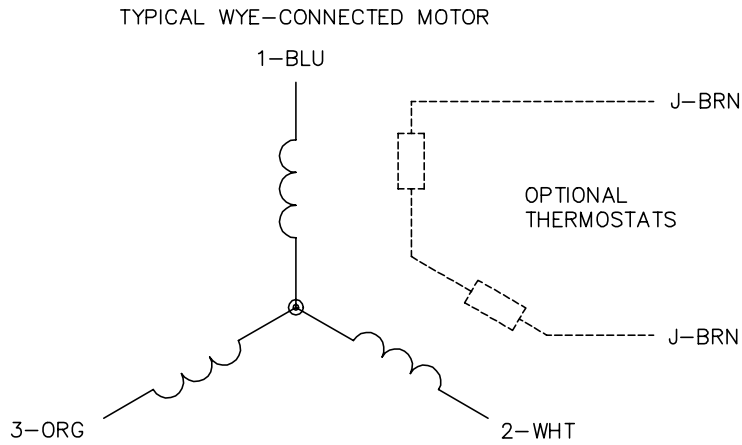
07LYK629

CUSTOMER IS RESPONSIBLE FOR DETERMINING THAT BALDOR'S PRODUCT WILL PERFORM SUITABLY IN THE INTENDED APPLICATION.

REV. DESC: ADD GRD LUG DETAIL	VERSION: 09	TDR: 000001134451
REV. LTR: J	REVISED: 04:28:35 04/30/2020	BY: USTRTAY1
FILE: \AAA\00118\406		
MTL: -		

**BALDOR - RELIANCE**<sup>®</sup>  
 STD HORZ 213-5T TEFC 07M (ECP) IEEE841  
 SH 1 of 1

CD0006



NOTES:

1. THREE LEAD MOTOR MAY BE EITHER WYE CONNECTED OR DELTA CONNECTED.
2. INTERCHANGE ANY TWO LINE LEADS TO REVERSE ROTATION.
3. OPTIONAL THERMOSTATS ARE PROVIDED WHEN SPECIFIED.
4. ACTUAL NUMBER OF INTERNAL PARALLEL CIRCUITS MAY VARY.
5. LEAD COLORS ARE OPTIONAL. LEADS MUST BE NUMBERED AS SHOWN.

CD0006

REV. DESC: ADD CLASS CONN00000007		
REV. LTR: E	VERSION: 01	TDR: 000001099922
FILE: \AAA\00005\141	REVISED: 10:24:49 02/19/2019	BY: ENBRIRO
MTL: -	© □	

**BALDOR - RELIANCE®**

3PH, SV, 3 LEADS, WYE OR DELTA CONNECTED

SH 1 of 1