



Customer information packet

ECP84312T-4

50HP, 1185RPM, 3PH, 60HZ, 365T, A36062M, TEFC

Class - CLI GP A,B,C,D

Division - Division II

Specifications

Enclosure	TEFC
Frame	365T
Frame Material	Iron
Frequency	60.00 Hz
Motor Letter Type	Three Phase
Output @ Frequency	50.000 HP @ 60 HZ
Phase	3
Synchronous Speed @ Frequency	1200 RPM @ 60 HZ
Voltage @ Frequency	460.0 V @ 60 HZ
XP Class and Group	CLIGP A,B,C,D
XP Division	Division II
Agency Approvals	CCSA US NEMA PREMIUM UR
Ambient Temperature	40 °C
Auxillary Box	No Auxillary Box
Base Indicator	Rigid
Bearing Grease Type	Polyrex EM (-20F +300F)
Constant Torque Speed Range	6-60
Current @ Voltage	61.700 A @ 460.0 V
Design Code	B
Drip Cover	No Drip Cover
Duty Rating	CONT
Efficiency @ 100% Load	94.1 %
Enclosure Modification	841
Feedback Device	NO FEEDBACK
Heater Indicator	No Heater
High Voltage Full Load Amps	61.7 a
Insulation Class	F
Inverter Code	Inverter Ready
IP Rating	IP56
KVA Code	F

Part detail

Revision	K
Type	AC
Mech. spec.	
Base	
Status	PRD/A
Elec. spec.	A36WG0777
Layout	617428-603
Eff. date	09-13-2021
CD Diagram	416820-036
Poles	06
Leads	3#4
Proprietary	False
Created date	11-27-2018

Lifting Lugs	No Lifting Lugs
Motor Lead Quantity/Wire Size	3 @ 4 AWG
Motor Standards	NEMA
Motor Type	A36062M
Mounting Arrangement	F1
No Load Current	20.8 a
Number of Poles	6
Overall Length	33.49 IN
Power Factor	81
Pulley End Bearing Type	Ball
Pulley Face Code	Standard
Service Factor	1.15
Shaft Diameter	2.375 IN
Shaft Ground Indicator	No Shaft Grounding
Shaft Rotation	Phase Seq-Std Rot (CCWODE)
Shaft Slinger Indicator	No Slinger
Speed	1185 rpm
Speed Code	Single Speed
Starting Method	Direct on line
Thermal Device - Bearing	None
Thermal Device - Winding	None
XP Temp Code	T3A

Nameplate

NP4139														
CAT #	ECP84312T-4					FR	365T			IP56				
SPEC	A36-6000-0777					ENCL	TEFC			DES	B			
HZ	60	PH	3	CL	F	HP	50	SF	1.15	PF	81	%	CODE	F
VOLTS	460					AMPS	61.7							
RPM	1185	MAX RPM			1800	SER								
NEMA-NOM-EFF	94.1	%	RATING			40C AMB-CONT								
GUAR MIN. EFF	93	%	BRG DE			6313	BRG ODE			6313				
CL I DIV 2 GRPS A,B,C,D	CL I ZONE 2 GRPS					IIA,IIB,IIC			TEMP T	3-200 C				
CT HZ	6-60		VT HZ			0-60								
CHP HZ	60-90		INV TEMP CL			200	C							
									MTR WT	928	LBS			

NP4140

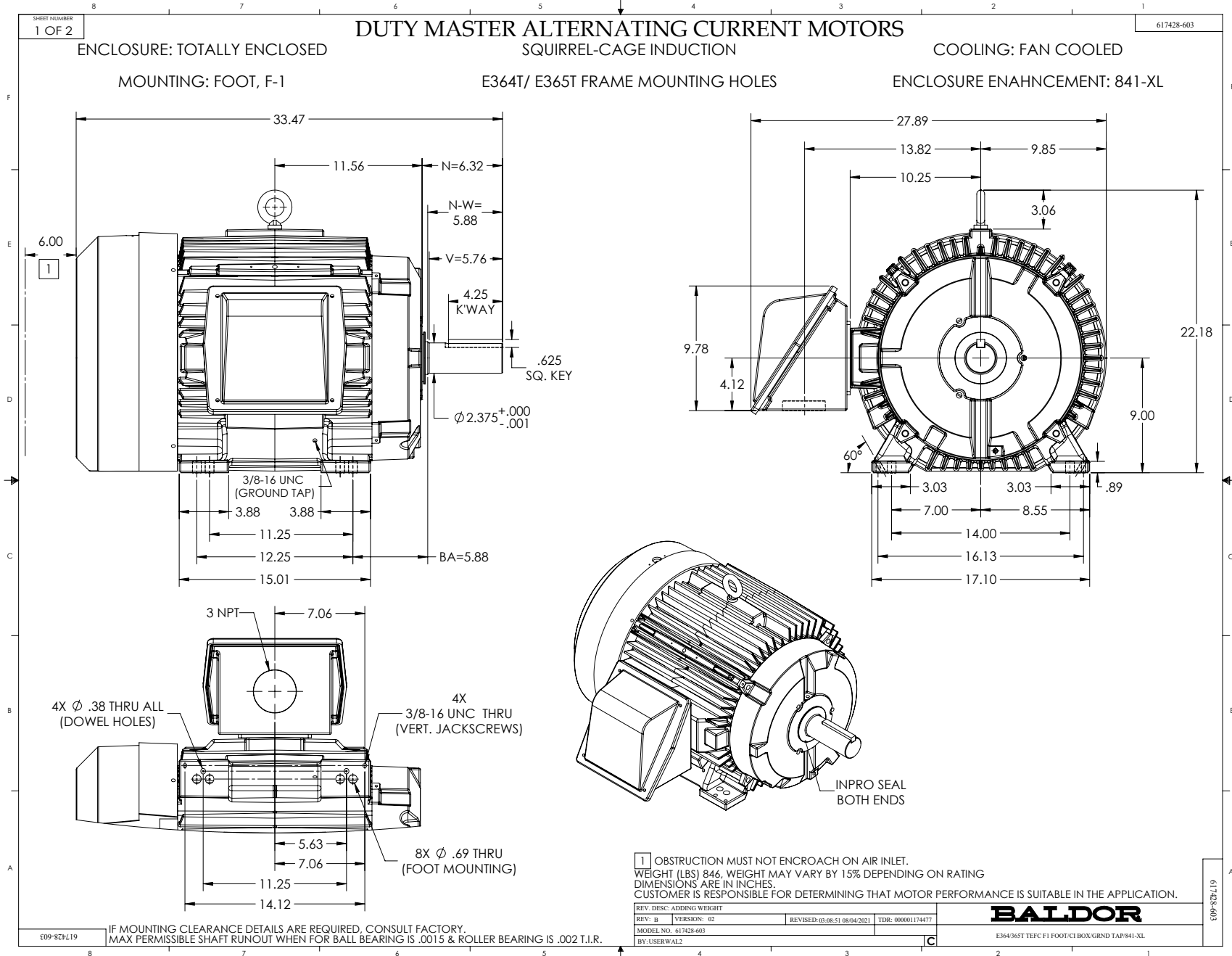
CAT #	ECP84312T-4	ROTOR BARS	55
SPEC	A36-6000-0777	STATOR SLOTS	72
SER		MAX CORR KVAR	14
GREASE	POLYREX EM		
ABMA DE BRG	65BC03J30X	ODE	65BC03J30X

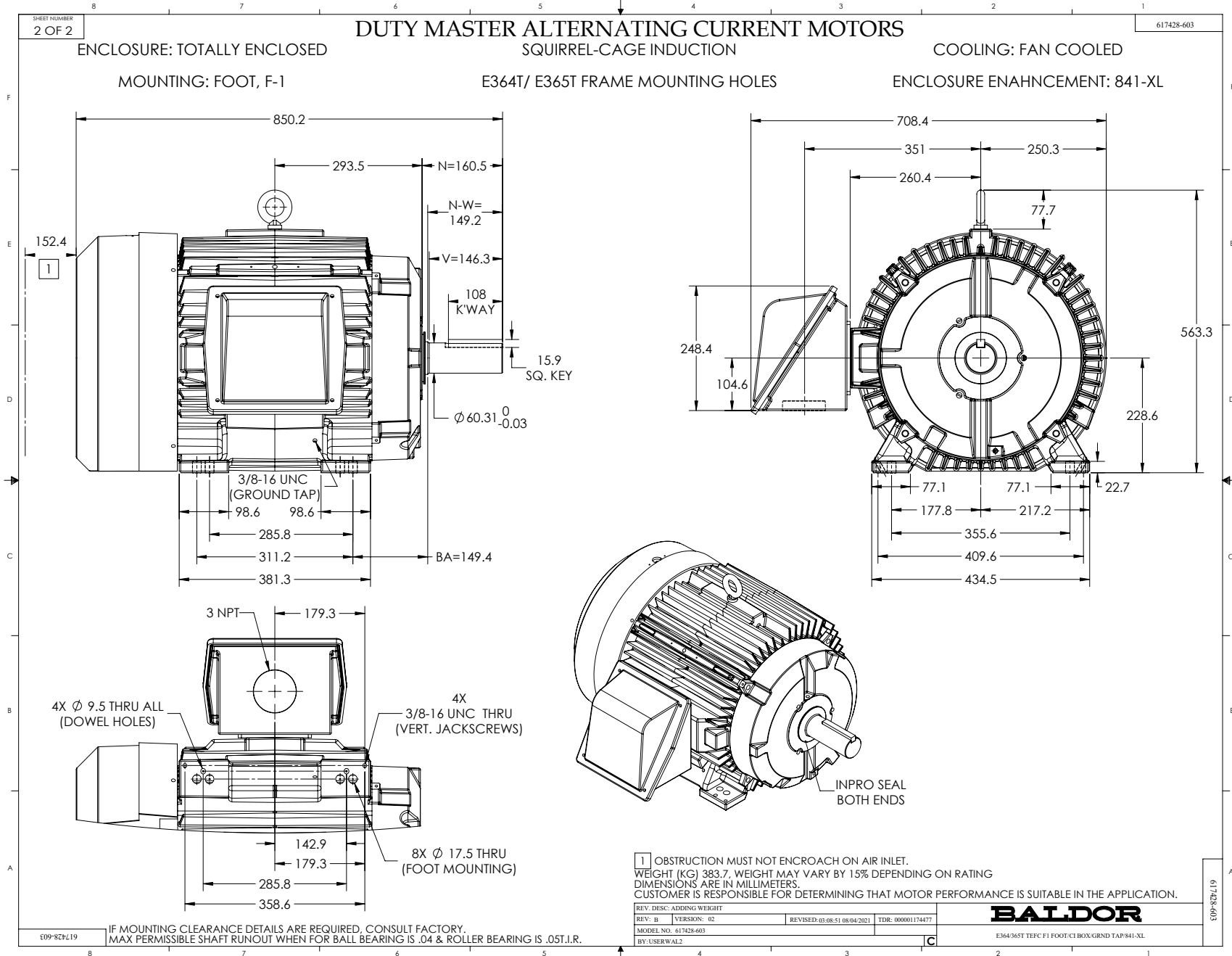
SPACE HEATER LEADS H1-H2:	TIE LIKE NUMBERS		TOGETHER	
MAX. SPACE HEATER TEMP.	C	V	A	W

Parts list

Part number	Description	Quantity
SA363400	SA A36-6000-0777	1.000 ea
RA352676	RA A36-6000-0777	1.000 ea
NP4139	SS SUPER E INVERTER DUTY IEEE 841 MAIN N	1.000 ea
NP4140	SS SUPER-E SD IEEE 841 CLI DIV2 UR CSA C	1.000 ea
000692000JP	N/P	1.000 ea
000692000VD	LABEL WARNING	1.000 ea
000692000VH	N/P (RELEASE 1000 PCS)	1.000 ea
004824015A	GREASE POLYREX EM	0.544 lb
032018008AK	HHCS 1/4-20X1 PLATED	4.000 ea
032018012DK	HHCS 1/2-13X1-1/2 PLTD. 032018012DR	4.000 ea
032018024CK	HHCS 3/8-16X3 PLTD.	3.000 ea
034180012DA	KEY 1X4X1/4X1-1/2 L	1.000 ea
034530032BB	P/NIP 1/4X4" SCHED 40	1.000 ea
034530052AB	P/NIP 1/8X6-1/2 Zinc	1.000 ea
034600001AA	BUSH 1/4TO1/8 BLACK	1.000 ea
034630002AB	CPLG 1/4" PLATED	1.000 ea
035000001G	GREASE RELIEF FITTING, ALEMITE 317400	1.000 ea
078550001M	FAN KB 60/30 (30) 360	1.000 ea
078559034A	+F/C A 078559001A - 360	1.000 ea
085922083BH	BRKT 360 085922072WCC KB	1.000 ea
410700004F	WSHR	1.000 ea
412118006A	DRAIN	1.000 ea
415028079E	INPRO SEAL,,625 WIDE,313 BRG	1.000 ea
415028079E	INPRO SEAL,,625 WIDE,313 BRG	1.000 ea
415072001B	CLAMP	1.000 ea
415096002A	CPLG 1/8 HEX TYPE	1.000 ea
423709011C	WASHER	3.000 ea
032018012DK	HHCS 1/2-13X1-1/2 PLTD. 032018012DR	4.000 ea
032018024CK	HHCS 3/8-16X3 PLTD.	3.000 ea
034530020BB	P/NIP 1/4X2-1/2 PLATED	1.000 ea
034530032AB	P/NIP 1/8X4 PLATED	1.000 ea

034600001AA	BUSH 1/4TO1/8 BLACK	1.000 ea
034630002AB	CPLG 1/4" PLATED	1.000 ea
035000001G	GREASE RELIEF FITTING, ALEMITE 317400	1.000 ea
085922083BH	BRKT 360 085922072WCC KB	1.000 ea
412118006A	DRAIN	1.000 ea
415096002A	CPLG 1/8 HEX TYPE	1.000 ea
423709011C	WASHER	3.000 ea
032018010CK	HHCS 3/8-16X1-1/4 PLTD. 032018010CR	4.000 ea
033512008LB	HHTTS 1/4-20X1 PLATED	4.000 ea
034000014AB	WSH ID.406 OD.812 TH.065	4.000 ea
035000001A	ALFTG 1/8" 1610-BL	1.000 ea
035000001A	ALFTG 1/8" 1610-BL	1.000 ea
067053000B	GASK 320-400	1.000 ea
076708000BB	CONDUIT BOX-360	1.000 ea
076709000A	C/B Cover - 360	1.000 ea
406099000A	PLUG - FAN COVER 320-440	1.000 ea
415000115H	T/LUG #2AWG-4/0AWG	1.000 ea
415039016A	TERBD, 360-400	1.000 ea
418150003A	GREASE FITTING CAP	1.000 ea
418150003A	GREASE FITTING CAP	1.000 ea
033775004EA	DRSCR #6-1/4 304 S.S.	4.000 ea
034180034HA	KEY 5/8X5/8X4-1/4 L	1.000 ea
MG1025N19	WILKO 778.50 BLUE GREEN - 55 GAL DRUMS	0.250 ga
004824003CBY	WILKO PAINT 060.02 - ACTIVATOR	0.063 ga
482403003BEF	RUST VETO 342	0.013 ga
MG1500G03-5	LACQUER PRIMER, GRAY	0.063 ga
421948051	LABEL, MYLAR	1.000 ea
LB1449	DIV-2/NEC WARNING LABEL	1.000 ea
000613006PU	N/P (RELEASE QTY 10,000) UL CSA LABEL	1.000 ea
032018005DL	1/2-13 X 5/8 SILICON BRONZE HHCS	1.000 ea
032509020C	CARRIAGE BOLT - 360	3.000 ea
14PA1000	PACKAGING 314 GROUP COMBINED PRINT	1.000 ea
HW1000A32	5/16 FL WASHER WIDE, ID=.344, OD=1.125	3.000 ea





416820-036

A-C MOTOR
CONNECTION DIAGRAM
STANDARD 3 LEAD CONNECTED



(N.P. 1575-BA)

416820-036

REV. DESC: LOADED TO BUS, C/R 335225		
REV. LTR: -	VERSION: 00	TDR: 000000538207
FILE: \MGA\00000\682	REVISED: 11:54:06 04/30/2010	
MTL: -	BY: RAGRA	

BALDOR

CONN DIAG - STANDARD 3 LEAD
SH 1 of 1