

BALDOR • RELIANCE

Customer information packet

ECP84407TR-5

200HP, 1785RPM, 3PH, 60HZ, 447T, TEFC

Class - CLI GP A,B,C,D

Division - Division II

Specifications

| | |
|-------------------------------|-------------------------------|
| Enclosure | TEFC |
| Frame | 447T |
| Frame Material | Iron |
| Frequency | 60.00 Hz |
| Motor Letter Type | Three Phase |
| Output @ Frequency | 200.000 HP @ 60 HZ |
| Phase | 3 |
| Synchronous Speed @ Frequency | 1800 RPM @ 60 HZ |
| Voltage @ Frequency | 575.0 V @ 60 HZ |
| XP Class and Group | CLIGP A,B,C,D |
| XP Division | Division II |
| Agency Approvals | CCSA US NEMA PREMIUM UR |
| Ambient Temperature | 40 °C |
| Auxillary Box | No Auxillary Box |
| Base Indicator | Rigid |
| Bearing Grease Type | Mobil SHC 220 (Athens Only) |
| Constant Torque Speed Range | 30-60 |
| Current @ Voltage | 178.000 A @ 575.0 V |
| Design Code | B |
| Drip Cover | No Drip Cover |
| Duty Rating | CONT |
| Efficiency @ 100% Load | 96.2 % |
| Enclosure Modification | 841 |
| Feedback Device | NO FEEDBACK |
| Heater Indicator | No Heater |
| High Voltage Full Load Amps | 178.0 a |
| Insulation Class | F |
| Inverter Code | Inverter Ready |
| IP Rating | IP56 |
| KVA Code | G |

Part detail

| | |
|--------------|--------------------|
| Revision | D |
| Type | AC |
| Mech. spec. | |
| Base | |
| Status | PRD/A |
| Elec. spec. | A44WG0891 |
| Layout | 617434-663 |
| Eff. date | 04-15-2021 |
| CD Diagram | 416820-036 |
| Poles | 04 |
| Leads | 3#1 (02 per group) |
| Proprietary | False |
| Created date | 12-10-2018 |

| | |
|--------------------------------------|----------------------------|
| Lifting Lugs | No Lifting Lugs |
| Motor Lead Quantity/Wire Size | 6 @ 1 AWG |
| Motor Standards | Other |
| Motor Type | A44120M |
| Mounting Arrangement | F1 |
| No Load Current | 48.3 a |
| Number of Poles | 4 |
| Overall Length | 48.24 IN |
| Power Factor | 88 |
| Pulley End Bearing Type | Roller |
| Pulley Face Code | C-Face |
| Service Factor | 1.15 |
| Shaft Diameter | 3.375 IN |
| Shaft Ground Indicator | No Shaft Grounding |
| Shaft Rotation | Phase Seq-Std Rot (CCWODE) |
| Shaft Slinger Indicator | No Slinger |
| Speed | 1785 rpm |
| Speed Code | Single Speed |
| Starting Method | Direct on line |
| Thermal Device - Winding | None |
| XP Temp Code | T3 |

Nameplate

NP3237

| | | | | | | | | | |
|---------------------------|--------------|------------------------|---------------|----------------------------|------|------------------------------|------|--------------------|------|
| CAT NO | ECP84407TR-5 | SPEC NO. | A44-0058-0891 | | | | | | |
| HP | 200 | AMPS | 178 | VOLTS | 575 | DESIGN | B | | |
| FRAME SIZE | 447T | RPM | 1785 | HZ | 60 | AMB | 40 | SF | 1.15 |
| D.E. BRG.DATA | NU222 | O.D.E. BRG.DATA | 6318 | PH | 3 | DUTY | CONT | INSUL.CLASS | F |
| D.E. BRG. | 110RU02M30X | TYPE P | P | ENCL | TEFC | CODE | G | | |
| O.D.E. BRG. | 90BC03J30X | POWER FACTOR | 88 | NEMA-NOM-EFFICIENCY | 96.2 | | | | |
| 3/4 LOAD EFF. | 96.5 | IP | 56 | MAX CORR KVAR | 32.0 | GUARANTEED EFFICIENCY | 95.4 | | |
| TEMP CODE | T3 | TEMP = | 200 | | | | | | |
| CHP HZ | 60-90 | CT HZ | 30-60 | VT HZ | 0-60 | | | | |
| INVERTER-TEMP-CODE | T3 | | | | | | | | |
| SER.NO. | | MOTOR WEIGHT | 2618 | | | | | | |

000613007EX

| | | | | |
|------------------------|--------------|---------------------------------|---------------|-------------|
| CAT NO | ECP84407TR-5 | SPEC NO. | A44-0058-0891 | |
| NO. ROTOR BARS | 58 | GREASE TYPE | MOBIL SHC 220 | |
| NO. SLOTS | 72 | NL AMPS AT RATED VOLTAGE | 48.3 | |
| 5 YEAR WARRANTY | | WINDING RES @25 C | .0326 | OHMS |
| MFG. DATE | | SER.NO | | |
| | | | | |
| | | | | |

NP2496L

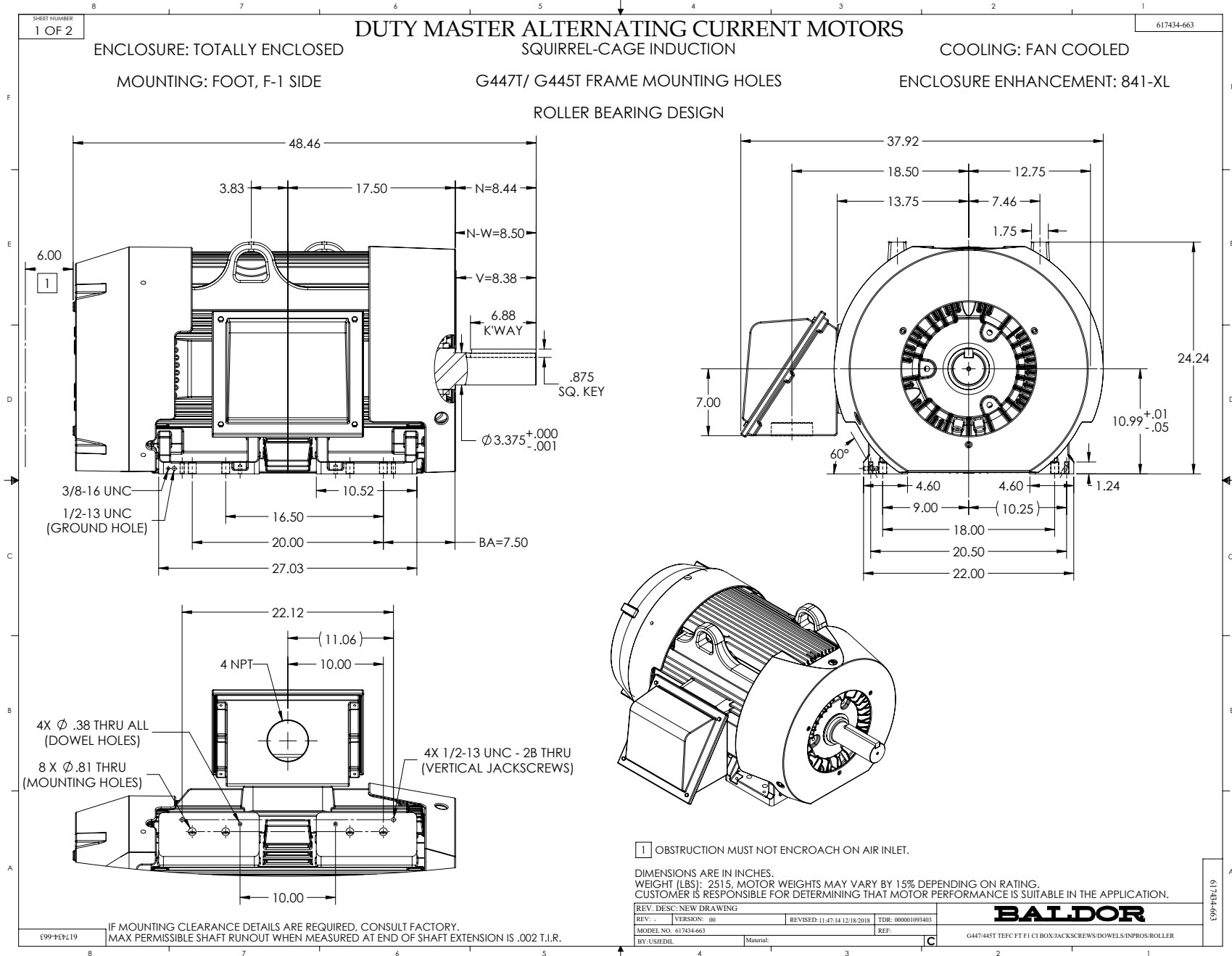
MOBIL SHC -220 GREASE

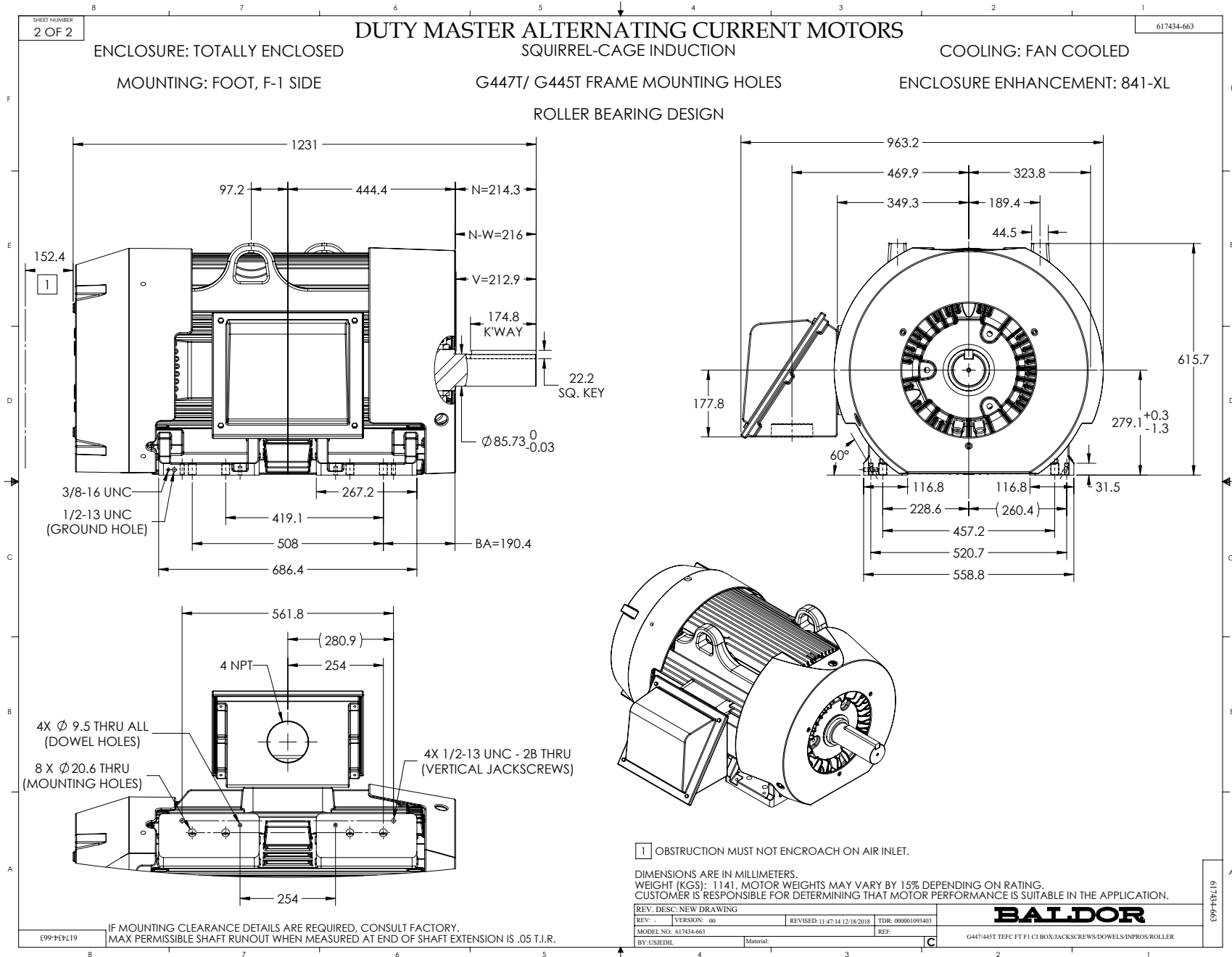
Parts list

| Part number | Description | Quantity |
|-------------|--|----------|
| SA364347 | SA A44-0058-0891 | 1.000 ea |
| RA353671 | RA A44-0058-0891 | 1.000 ea |
| 000613006PU | N/P (RELEASE QTY 10,000) UL CSA LABEL | 1.000 ea |
| NP3237 | SS SUPER E INVERTER DUTY IEEE 841 | 1.000 ea |
| 000613007EX | SS IEEE 841 EMBOSSED AUXILIARY NAMEPLATE | 1.000 ea |
| 000692000FF | N/P | 1.000 ea |
| 000692000JP | N/P | 1.000 ea |
| 000692000RT | N/P | 1.000 ea |
| 000692000VD | LABEL WARNING | 1.000 ea |
| NP2496L | MOTOR LUBE NAMEPLATE | 1.000 ea |
| 004824015AP | GREASE MOBILITH SHC 220 | 1.156 lb |
| 032018008CK | HHCS 3/8-16X1L PLATED | 4.000 ea |
| 032018020FK | HHCS 3/4-10X2-1/2 PLTD. | 4.000 ea |
| 032018030DK | HHCS 1/2-13X3-3/4 PLTD. | 3.000 ea |
| 032620016LA | SOCKET SET SCREW-449 | 3.000 ea |
| 034017014AB | LCKW 3/8 STD. PLATED | 4.000 ea |
| 034180014DA | KEY 1/4X1/4X1-3/4 L | 1.000 ea |
| 034530064AB | P/NIP 1/8 X 8" L Pipe Nipple | 1.000 ea |
| 034530064BB | P/NIP 1/4X8 PLATED | 1.000 ea |
| 034600001AA | BUSH 1/4TO1/8 BLACK | 1.000 ea |
| 034630002AB | CPLG 1/4" PLATED | 1.000 ea |
| 034690005AB | PPLG 3/4 PLATED | 2.000 ea |
| 035000001G | GREASE RELIEF FITTING, ALEMITE 317400 | 1.000 ea |
| 078548001R | FAN KB 234/150 (84) 400 | 1.000 ea |
| 083199082RA | G28 SHORT FAN COVER W/BAFFLE ASSEMBLY | 1.000 ea |
| 089490099D | G28 BRKT 089490098WCA | 1.000 ea |
| 415028079H | INPRO SEAL,.625 WIDE,318 BRG | 1.000 ea |
| 415072001B | CLAMP | 1.000 ea |
| 415096002A | CPLG 1/8 HEX TYPE | 1.000 ea |
| 418151014G | RETAIN RING | 1.000 ea |
| 423709011D | WASHER | 3.000 ea |

| | | |
|-------------|--|----------|
| 032018004BK | HHCS 5/16-18X1/2 PLATED | 3.000 ea |
| 032018020FK | HHCS 3/4-10X2-1/2 PLTD. | 4.000 ea |
| 032018030DK | HHCS 1/2-13X3-3/4 PLTD. | 3.000 ea |
| 034017013AB | LCKW 5/16 STD. PLATED | 3.000 ea |
| 415915007G | GASK, LAC | 1.000 ft |
| 034530056AB | 1/8 X 7 PP NIPPLE | 1.000 ea |
| 034530056BB | P/NIP 1/4X7 SCHED 40 | 1.000 ea |
| 034600001AA | BUSH 1/4TO1/8 BLACK | 1.000 ea |
| 034630002AB | CPLG 1/4" PLATED | 1.000 ea |
| 035000001G | GREASE RELIEF FITTING, ALEMITE 317400 | 1.000 ea |
| 089490101C | G28 BRKT 089490100WCA | 1.000 ea |
| 415028079J | INPRO SEAL, .625 WIDE, 222 BRG | 1.000 ea |
| 415096002A | CPLG 1/8 HEX TYPE | 1.000 ea |
| 418151014H | RETAIN RING | 1.000 ea |
| 423709011D | WASHER | 3.000 ea |
| 702623013A | THERMAL BARRIER -- G28 -- BRACKET MTD | 1.000 ea |
| 702623022A | G28 AIR DEFLECTOR DRIVE END -- PLASTIC | 1.000 ea |
| 034001013AB | FLTW BAFFLE | 3.000 ea |
| 032018006BK | HHCS 5/16-18X3/4 PLATED | 3.000 ea |
| 032018008BK | HHCS 5/16-18X1L PLATED | 4.000 ea |
| 032018008DK | HHCS 1/2-13X1 PLATED | 4.000 ea |
| 032018005DL | 1/2-13 X 5/8 SILICON BRONZE HHCS | 1.000 ea |
| 035000001A | ALFTG 1/8" 1610-BL | 1.000 ea |
| 035000001A | ALFTG 1/8" 1610-BL | 1.000 ea |
| 067053014A | GASK 440 | 1.000 ea |
| 076870000BA | CONDUIT BOX - 440 - 1/2-13 GROUND | 1.000 ea |
| 076871000A | +CBOX CVR BLKT - 449 | 1.000 ea |
| 415039018A | TERBD, 440 | 1.000 ea |
| 406099000A | PLUG - FAN COVER 320-440 | 1.000 ea |
| 415000115H | T/LUG #2AWG-4/0AWG | 1.000 ea |
| 418150003A | GREASE FITTING CAP | 1.000 ea |
| 418150003A | GREASE FITTING CAP | 1.000 ea |
| 033775004EA | DRSCR #6-1/4 304 S.S. | 2.000 ea |
| 034180054KA | 7/8 SQ X 6.75 KEY | 1.000 ea |

| | | |
|------------|--|----------|
| MG1025N19 | WILKO 778.50 BLUE GREEN - 55 GAL DRUMS | 0.500 ga |
| 604797056 | WOOD BASE 447 60 X 41-1/2 BLT 20 X 18 | 1.000 ea |
| 421948051 | LABEL, MYLAR | 1.000 ea |
| LB1449 | DIV-2/NEC WARNING LABEL | 1.000 ea |
| 412118006A | DRAIN | 2.000 ea |





416820-036

A-C MOTOR
CONNECTION DIAGRAM
STANDARD 3 LEAD CONNECTED



(N.P. 1575-BA)

416820-036

| | | |
|--------------------------------------|--------------------------------|-------------------|
| REV. DESC: LOADED TO BUS, C/R 335225 | | |
| REV. LTR: - | VERSION: 00 | TDR: 000000538207 |
| FILE: \MGA\00000\682 | REVISED: 11: 54: 06 04/30/2010 | |
| MTL: - | BY: RAGRA | |

BALDOR

CONN DIAG - STANDARD 3 LEAD
SH 1 of 1