

BALDOR • RELIANCE

Customer information packet

ECP84408T-5

250HP, 1785RPM, 3PH, 60HZ, 449T, TEFC

Class - CLI GP A,B,C,D

Division - Division II

Specifications

Enclosure	TEFC
Frame	449T
Frame Material	Iron
Frequency	60.00 Hz
Motor Letter Type	Three Phase
Output @ Frequency	250.000 HP @ 60 HZ
Phase	3
Synchronous Speed @ Frequency	1800 RPM @ 60 HZ
Voltage @ Frequency	575.0 V @ 60 HZ
XP Class and Group	CLI GP A,B,C,D
XP Division	Division II
Agency Approvals	CCSA US NEMA PREMIUM UR
Ambient Temperature	40 °C
Auxillary Box	No Auxillary Box
Base Indicator	Rigid
Bearing Grease Type	Polyrex EM (-20F +300F)
Constant Torque Speed Range	30-60
Current @ Voltage	220.000 A @ 575.0 V
Design Code	B
Drip Cover	No Drip Cover
Duty Rating	CONT
Efficiency @ 100% Load	96.2 %
Enclosure Modification	841
Feedback Device	NO FEEDBACK
Heater Indicator	No Heater
High Voltage Full Load Amps	220.0 a
Insulation Class	F
Inverter Code	Inverter Ready
IP Rating	IP56
KVA Code	G

Part detail

Revision	D
Type	AC
Mech. spec.	
Base	
Status	PRD/A
Elec. spec.	A44WG0176
Layout	617434-665
Eff. date	04-08-2021
CD Diagram	416820-036
Poles	04
Leads	3#1/0 (02 per group)
Proprietary	False
Created date	12-10-2018

Lifting Lugs	No Lifting Lugs
Motor Lead Quantity/Wire Size	6 @ 1/0 AWG
Motor Standards	None
Motor Type	A44144M
Mounting Arrangement	F1
No Load Current	57.9 a
Number of Poles	4
Overall Length	53.24 IN
Power Factor	89
Pulley End Bearing Type	Ball
Pulley Face Code	Standard
Service Factor	1.15
Shaft Diameter	3.375 IN
Shaft Ground Indicator	No Shaft Grounding
Shaft Rotation	Phase Seq-Std Rot (CCWODE)
Shaft Slinger Indicator	No Slinger
Speed	1780 rpm
Speed Code	Single Speed
Starting Method	Direct on line
Thermal Device - Winding	None
XP Temp Code	T3

Nameplate

NP3237

CAT NO	ECP84408T-5	SPEC NO.	A44-5005-0176						
HP	250	AMPS	220	VOLTS	575	DESIGN	B		
FRAME SIZE	449T	RPM	1780	HZ	60	AMB	40	SF	1.15
D.E. BRG.DATA	6318	O.D.E. BRG.DATA	6318	PH	3	DUTY	CONT	INSUL.CLASS	F
D.E. BRG.	90BC03J30X	TYPE P	P	ENCL	TEFC	CODE	G		
O.D.E. BRG.	90BC03J30X	POWER FACTOR	89	NEMA-NOM-EFFICIENCY	96.2				
3/4 LOAD EFF.	96.6	IP	56	MAX CORR KVAR	37	GUARANTEED EFFICIENCY	95.4		
TEMP CODE	T3	TEMP =	200						
CHP HZ	60-90	CT HZ	30-60	VT HZ	0-60				
INVERTER-TEMP-CODE	T3								
SER.NO.		MOTOR WEIGHT	2932						

000613007EX

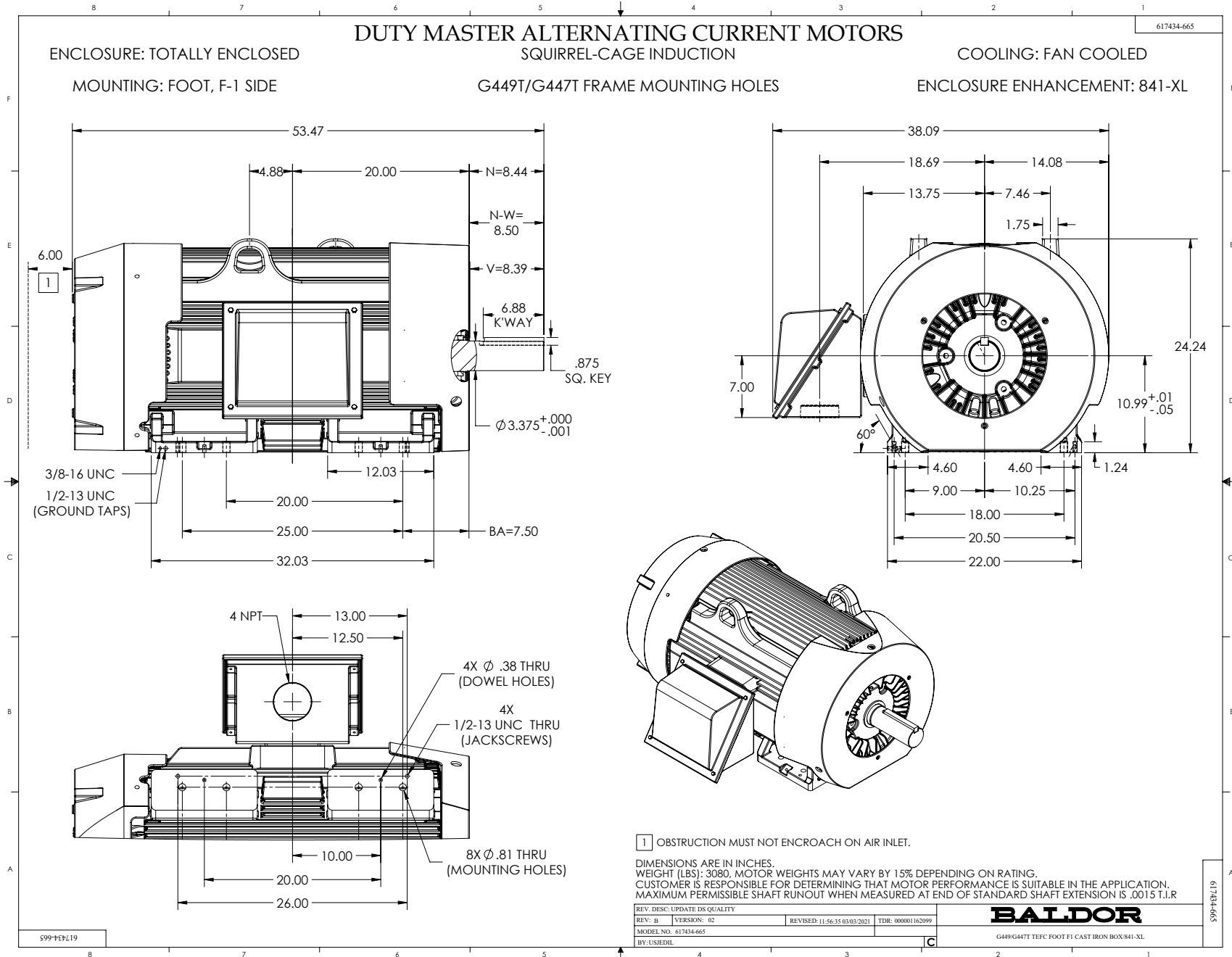
CAT NO	ECP84408T-5	SPEC NO.	A44-5005-0176
NO. ROTOR BARS	58	GREASE TYPE	POLYREX EM
NO. SLOTS	72	NL AMPS AT RATED VOLTAGE	57.9
5 YEAR WARRANTY		WINDING RES @25 C	.0241 OHMS
MFG. DATE		SER.NO	

Parts list

Part number	Description	Quantity
SA364350	SA A44-5005-0176	1.000 ea
RA353674	RA A44-5005-0176	1.000 ea
000613006PU	N/P (RELEASE QTY 10,000) UL CSA LABEL	1.000 ea
NP3237	SS SUPER E INVERTER DUTY IEEE 841	1.000 ea
000613007EX	SS IEEE 841 EMBOSSED AUXILIARY NAMEPLATE	1.000 ea
000692000FF	N/P	1.000 ea
000692000JP	N/P	1.000 ea
000692000VD	LABEL WARNING	1.000 ea
004824015A	GREASE POLYREX EM	1.156 lb
032018008CK	HHCS 3/8-16X1L PLATED	4.000 ea
032018020FK	HHCS 3/4-10X2-1/2 PLTD.	4.000 ea
032018030DK	HHCS 1/2-13X3-3/4 PLTD.	3.000 ea
032620016LA	SOCKET SET SCREW-449	3.000 ea
034017014AB	LCKW 3/8 STD. PLATED	4.000 ea
034180014DA	KEY 1/4X1/4X1-3/4 L	1.000 ea
034530064AB	P/NIP 1/8 X 8" L Pipe Nipple	1.000 ea
034530064BB	P/NIP 1/4X8 PLATED	1.000 ea
034600001AA	BUSH 1/4TO1/8 BLACK	1.000 ea
034630002AB	CPLG 1/4" PLATED	1.000 ea
034690005AB	PPLG 3/4 PLATED	2.000 ea
035000001G	GREASE RELIEF FITTING, ALEMITE 317400	1.000 ea
078548001R	FAN KB 234/150 (84) 400	1.000 ea
083199082RA	G28 SHORT FAN COVER W/BAFFLE ASSEMBLY	1.000 ea
089490099D	G28 BRKT 089490098WCA	1.000 ea
410700004A	WSHR	1.000 ea
415028079H	INPRO SEAL,,625 WIDE,318 BRG	1.000 ea
415072001B	CLAMP	1.000 ea
415096002A	CPLG 1/8 HEX TYPE	1.000 ea
423709011D	WASHER	3.000 ea
032018004BK	HHCS 5/16-18X1/2 PLATED	3.000 ea
032018006BK	HHCS 5/16-18X3/4 PLATED	3.000 ea

032018020FK	HHCS 3/4-10X2-1/2 PLTD.	4.000 ea
032018036DK	HHCS 1/2-13X4-1/2 PLTD.	3.000 ea
034017013AB	LCKW 5/16 STD. PLATED	3.000 ea
034530064AB	P/NIP 1/8 X 8" L Pipe Nipple	1.000 ea
415915007G	GASK, LAC	1.000 ft
034530064BB	P/NIP 1/4X8 PLATED	1.000 ea
034600001AA	BUSH 1/4TO1/8 BLACK	1.000 ea
034630002AB	CPLG 1/4" PLATED	1.000 ea
035000001G	GREASE RELIEF FITTING, ALEMITE 317400	1.000 ea
089490099D	G28 BRKT 089490098WCA	1.000 ea
415028079H	INPRO SEAL,,625 WIDE,318 BRG	1.000 ea
415096002A	CPLG 1/8 HEX TYPE	1.000 ea
418151014G	RETAIN RING	1.000 ea
423709011D	WASHER	3.000 ea
702623022A	G28 AIR DEFLECTOR DRIVE END -- PLASTIC	1.000 ea
702623013A	THERMAL BARRIER -- G28 -- BRACKET MTD	1.000 ea
032018008BK	HHCS 5/16-18X1L PLATED	4.000 ea
032018008DK	HHCS 1/2-13X1 PLATED	4.000 ea
032018005DL	1/2-13 X 5/8 SILICON BRONZE HHCS	1.000 ea
035000001A	ALFTG 1/8" 1610-BL	1.000 ea
035000001A	ALFTG 1/8" 1610-BL	1.000 ea
067053014A	GASK 440	1.000 ea
076870000BA	CONDUIT BOX - 440 - 1/2-13 GROUND	1.000 ea
076871000A	+CBOX CVR BLKT - 449	1.000 ea
415039018A	TERBD, 440	1.000 ea
406099000A	PLUG - FAN COVER 320-440	1.000 ea
415000115H	T/LUG #2AWG-4/0AWG	1.000 ea
418150003A	GREASE FITTING CAP	1.000 ea
418150003A	GREASE FITTING CAP	1.000 ea
033775004EA	DRSCR #6-1/4 304 S.S.	2.000 ea
034180054KA	7/8 SQ X 6.75 KEY	1.000 ea
MG1025N19	WILKO 778.50 BLUE GREEN - 55 GAL DRUMS	0.500 ga
004824003CBY	WILKO PAINT 060.02 - ACTIVATOR	0.094 ga
PK5005A01	WOOD BASE 449 60 X 41-1/2 BLT 25 X 18	1.000 ea

MG1500G03-5	LACQUER PRIMER, GRAY	0.094 ga
421948051	LABEL, MYLAR	1.000 ea
LB1449	DIV-2/NEC WARNING LABEL	1.000 ea
412118006A	DRAIN	2.000 ea



617434-665

ENCLOSURE: TOTALLY ENCLOSED

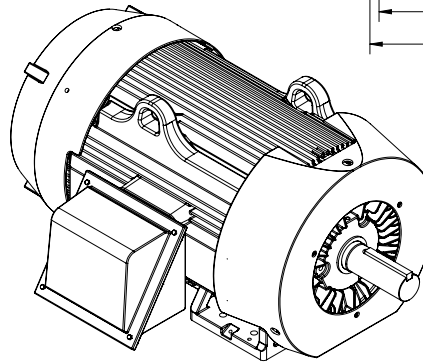
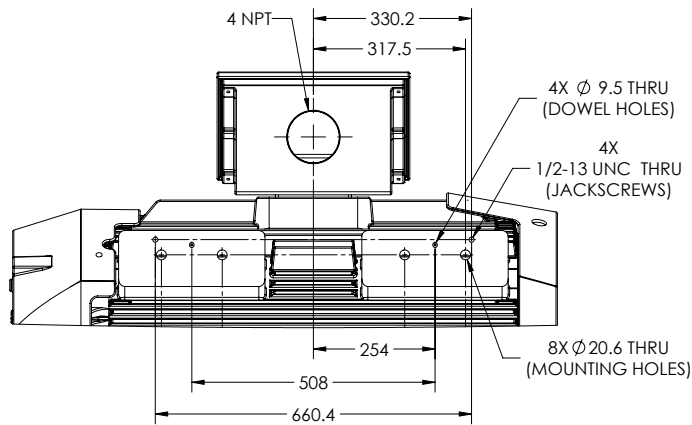
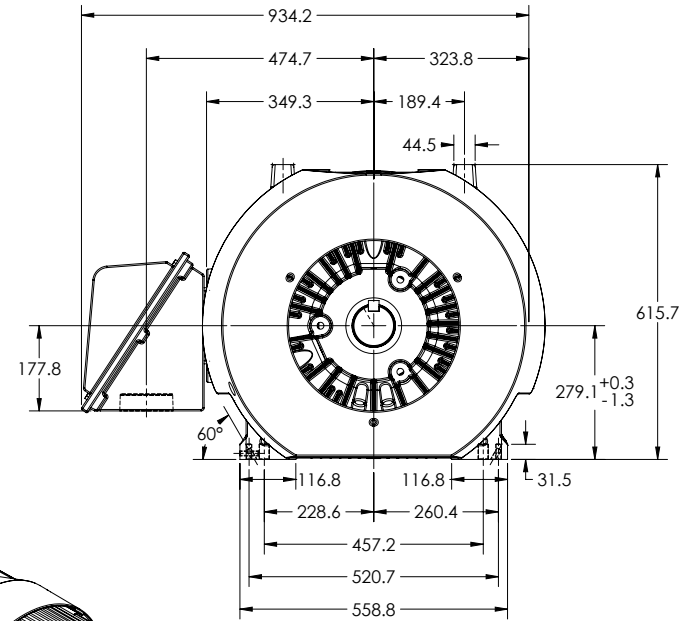
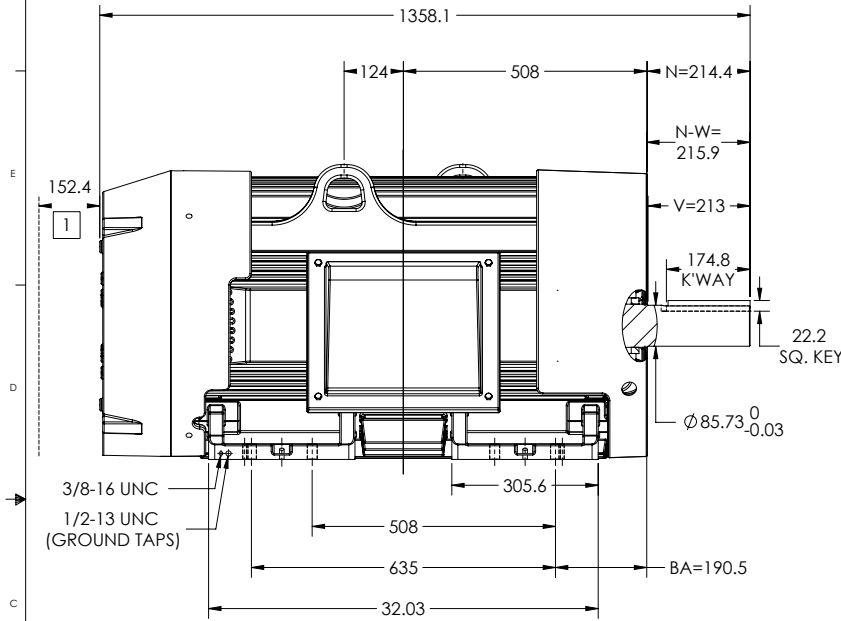
DUTY MASTER ALTERNATING CURRENT MOTORS
SQUIRREL-CAGE INDUCTION

COOLING: FAN COOLED

MOUNTING: FOOT, F-1 SIDE

G449T/G447T FRAME MOUNTING HOLES

ENCLOSURE ENHANCEMENT: 841-XL



1 OBSTRUCTION MUST NOT ENCROACH ON AIR INLET.

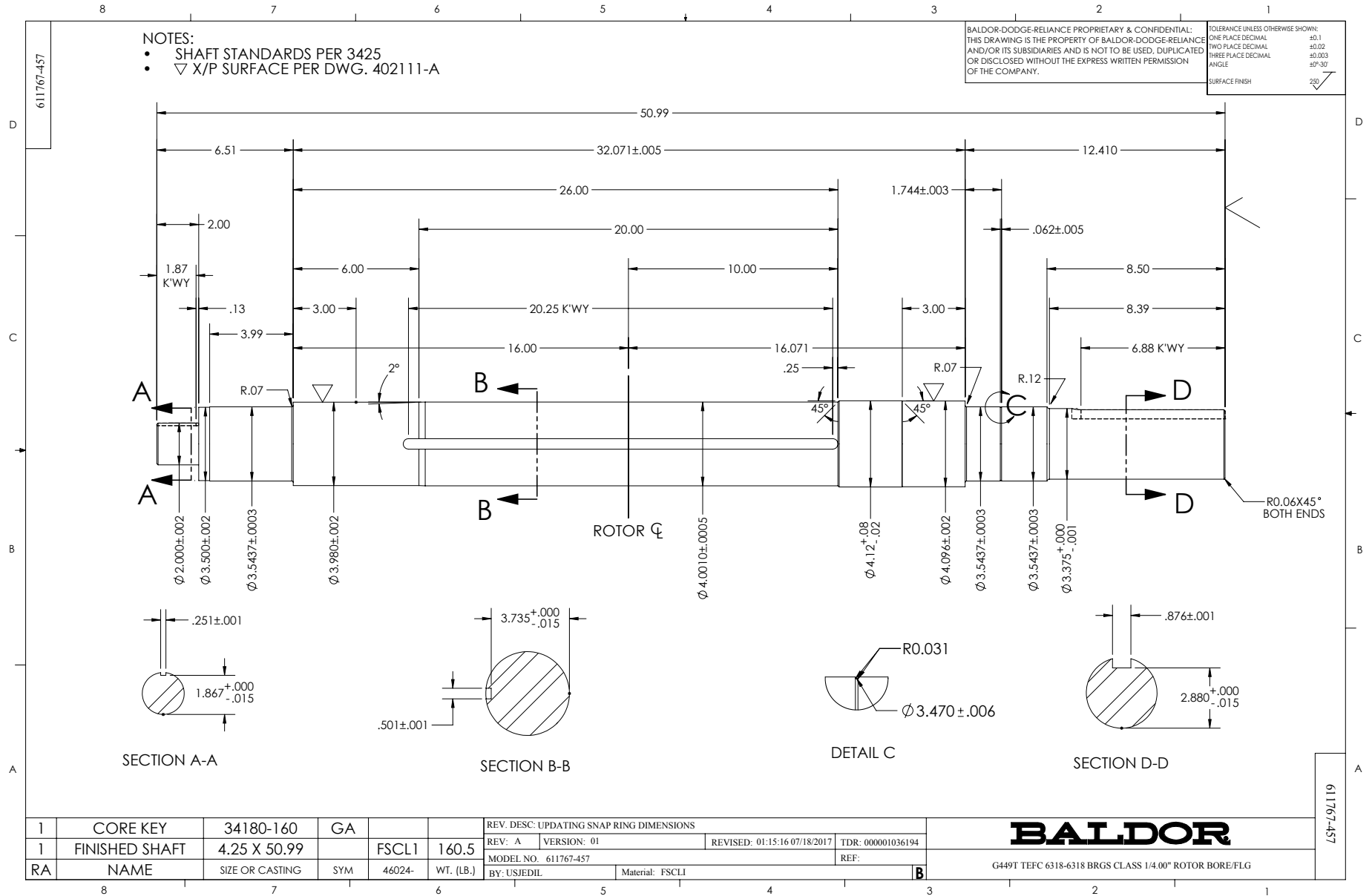
DIMENSIONS ARE IN MILLIMETERS.
WEIGHT (KGS): 1400. MOTOR WEIGHTS MAY VARY BY 15% DEPENDING ON RATING.
CUSTOMER IS RESPONSIBLE FOR DETERMINING THAT MOTOR PERFORMANCE IS SUITABLE IN THE APPLICATION.
MAXIMUM PERMISSIBLE SHAFT RUNOUT WHEN MEASURED AT END OF STANDARD SHAFT EXTENSION IS .04 T.I.R.

REV. DESC. UPDATE DS QUALITY			
REV: B	VERSION: 02	REVISED: 11-56-35 03/03/2021	TDR: 00000162099
MODEL NO. 617434-665			
BY: USJEDIL			

BALDOR

G449/G447T TEFC FOOT F1 CAST IRON BOX/841-XL

617434-665



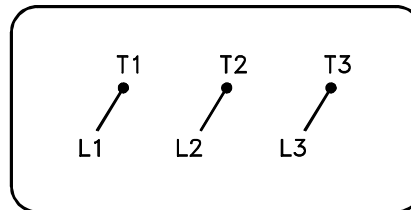
1	CORE KEY	34180-160	GA			REV. DESC: UPDATING SNAP RING DIMENSIONS
1	FINISHED SHAFT	4.25 X 50.99	FSCL1	160.5		REV: A VERSION: 01 REVISED: 01:15:16 07/18/2017 TDR: 000001036194
RA	NAME	SIZE OR CASTING	SYM	46024-	WT. (LB.)	MODEL NO. 611767-457 REF: BY: USJEDIL Material: FSCL1

BALDOR

G449T TEFC 6318-6318 BRGS CLASS 1/4.00" ROTOR BORE/FLG

416820-036

A-C MOTOR
CONNECTION DIAGRAM
STANDARD 3 LEAD CONNECTED



(N.P. 1575-BA)

416820-036

REV. DESC: LOADED TO BUS, C/R 335225		
REV. LTR: -	VERSION: 00	TDR: 000000538207
FILE: \MGA\00000\682	REVISED: 11: 54: 06 04/30/2010	
MTL: -	BY: RAGRA	

BALDOR

CONN DIAG - STANDARD 3 LEAD
SH 1 of 1