



Customer information packet

ECP84409T-5

100HP, 1190RPM, 3PH, 60HZ, 444T, A44064M, TEFC

Class - CLI GP A,B,C,D

Division - Division II

Specifications

Enclosure	TEFC
Frame	444T
Frame Material	Iron
Frequency	60.00 Hz
Motor Letter Type	Three Phase
Output @ Frequency	100.000 HP @ 60 HZ
Phase	3
Synchronous Speed @ Frequency	1200 RPM @ 60 HZ
Voltage @ Frequency	575.0 V @ 60 HZ
XP Class and Group	CLIGP A,B,C,D
XP Division	Division II
Agency Approvals	CCSA US UR
Ambient Temperature	40 °C
Auxillary Box	No Auxillary Box
Base Indicator	Rigid
Bearing Grease Type	Polyrex EM (-20F +300F)
Constant Torque Speed Range	15-60
Current @ Voltage	95.000 A @ 575.0 V
Design Code	B
Drip Cover	No Drip Cover
Duty Rating	CONT
Efficiency @ 100% Load	95.0 %
Feedback Device	NO FEEDBACK
Heater Indicator	No Heater
High Voltage Full Load Amps	95.0 a
Insulation Class	F
Inverter Code	Inverter Ready
KVA Code	G
Lifting Lugs	Standard Lifting Lugs
Motor Lead Quantity/Wire Size	3 @ 2 AWG
Motor Standards	None

Part detail

Revision	-
Type	AC
Mech. spec.	
Base	
Status	PRD/A
Elec. spec.	A44WG4105
Layout	617434-660
Eff. date	06-28-2022
CD Diagram	416820-036
Poles	06
Leads	3#2
Proprietary	False
Created date	03-04-2022

Motor Type	A44064M
Mounting Arrangement	F1
No Load Current	31.9 a
Number of Poles	6
Overall Length	44.97 IN
Power Factor	82
Pulley End Bearing Type	Ball
Pulley Face Code	Standard
Service Factor	1.15
Shaft Diameter	3.375 IN
Shaft Ground Indicator	No Shaft Grounding
Shaft Rotation	Reversible
Shaft Slinger Indicator	No Slinger
Speed	1190 rpm
Speed Code	Single Speed
Starting Method	Direct on line
Thermal Device - Bearing	None
Thermal Device - Winding	None
XP Temp Code	T3

Nameplate

NP3237

CAT NO	ECP84409T-5	SPEC NO.	A44-0000-4105						
HP	100	AMPS	95	VOLTS	575	DESIGN	B		
FRAME SIZE	444T	RPM	1190	HZ	60	AMB	40	SF	1.15
D.E. BRG.DATA	6318	O.D.E. BRG.DATA	6318	PH	3	DUTY	CONT	INSUL.CLASS	F
D.E. BRG.	90BC03J30X	TYPE P	P	ENCL	TEFC	CODE	G		
O.D.E. BRG.	90BC03J30X	POWER FACTOR	82	NEMA-NOM-EFFICIENCY	95				
3/4 LOAD EFF.	95.2	IP	56	MAX CORR KVAR	27	GUARANTEED EFFICIENCY	94.1		
TEMP CODE	T3	TEMP =	200						
CHP HZ	60-90	CT HZ	15-60	VT HZ	0-60				
INVERTER-TEMP-CODE	T3								
SER.NO.		MOTOR WEIGHT							

000613007EX

CAT NO	ECP84409T-5	SPEC NO.	A44-0000-4105	
NO. ROTOR BARS	71	GREASE TYPE	POLYREX EM	
NO. SLOTS	90	NL AMPS AT RATED VOLTAGE	31.9	
5 YEAR WARRANTY		WINDING RES @25 C	0.0839	OHMS
MFG. DATE		SER.NO		

Parts list

Part number	Description	Quantity
SA405173	SA A44-0000-4105	1.000 ea
RA396573	RA A44-0000-4105	1.000 ea
000613006PU	N/P (RELEASE QTY 10,000) UL CSA LABEL	1.000 ea
NP3237	SS SUPER E INVERTER DUTY IEEE 841	1.000 ea
000613007EX	SS IEEE 841 EMBOSSED AUXILIARY NAMEPLATE	1.000 ea
000692000FF	N/P	1.000 ea
000692000JP	N/P	1.000 ea
000692000VD	LABEL WARNING	1.000 ea
000692000VH	N/P (RELEASE 1000 PCS)	1.000 ea
421948051	LABEL, MYLAR	1.000 ea
004824015A	GREASE POLYREX EM	1.160 lb
032018008CK	HHCS 3/8-16X1L PLATED	4.000 ea
032018020FK	HHCS 3/4-10X2-1/2 PLTD.	4.000 ea
032018030DK	HHCS 1/2-13X3-3/4 PLTD.	3.000 ea
032620016LA	SOCKET SET SCREW-449	3.000 ea
034017014AB	LCKW 3/8 STD. PLATED	4.000 ea
034180014DA	KEY 1/4X1/4X1-3/4 L	1.000 ea
034530064AB	P/NIP 1/8 X 8" L Pipe Nipple	1.000 ea
034530064BB	P/NIP 1/4X8 PLATED	1.000 ea
034600001AA	BUSH 1/4TO1/8 BLACK	1.000 ea
034630002AB	CPLG 1/4" PLATED	1.000 ea
034690005AB	PPLG 3/4 PLATED	2.000 ea
035000001G	GREASE RELIEF FITTING, ALEMITE 317400	1.000 ea
078549001DA	FAN 400 078549001F	1.000 ea
083199082RA	G28 SHORT FAN COVER W/BAFFLE ASSEMBLY	1.000 ea
089490099D	G28 BRKT 089490098WCA	1.000 ea
410700004A	WSHR	1.000 ea
415028079H	INPRO SEAL,,625 WIDE,318 BRG	1.000 ea
415072001B	CLAMP	1.000 ea
415096002A	CPLG 1/8 HEX TYPE	1.000 ea
423709011D	WASHER	3.000 ea

032018004BK	HHCS 5/16-18X1/2 PLATED	3.000 ea
032018020FK	HHCS 3/4-10X2-1/2 PLTD.	4.000 ea
032018036DK	HHCS 1/2-13X4-1/2 PLTD.	3.000 ea
034017013AB	LCKW 5/16 STD. PLATED	3.000 ea
415915007G	GASK, LAC	1.000 ft
034530044AB	P/NIP 1/8X5-1/2L GALV.	1.000 ea
034530044BB	P/NIP 1/4X5-1/2L PLT	1.000 ea
034600001AA	BUSH 1/4TO1/8 BLACK	1.000 ea
034630002AB	CPLG 1/4" PLATED	1.000 ea
035000001G	GREASE RELIEF FITTING, ALEMITE 317400	1.000 ea
089490099D	G28 BRKT 089490098WCA	1.000 ea
415028079H	INPRO SEAL, .625 WIDE, 318 BRG	1.000 ea
415096002A	CPLG 1/8 HEX TYPE	1.000 ea
418151014G	RETAIN RING	1.000 ea
423709011D	WASHER	3.000 ea
702623013A	THERMAL BARRIER -- G28 -- BRACKET MTD	1.000 ea
032018008BK	HHCS 5/16-18X1L PLATED	4.000 ea
032018008DK	HHCS 1/2-13X1 PLATED	4.000 ea
033512006LB	HHTTS 1/4-20X3/4 PLTD.	1.000 ea
035000001A	ALFTG 1/8" 1610-BL	1.000 ea
035000001A	ALFTG 1/8" 1610-BL	1.000 ea
067053001C	GASK 440	1.000 ea
076863000C	+CBCST BLKT - 440	1.000 ea
076864000A	CBCST BLKT - 440	1.000 ea
406056007A	GASKET, 440	1.000 ea
406099000A	PLUG - FAN COVER 320-440	1.000 ea
415000103D	T/LUG #4AWG-1/0AWG W/HOLE FOR .250 BOLT	1.000 ea
418150003A	GREASE FITTING CAP	1.000 ea
418150003A	GREASE FITTING CAP	1.000 ea
MG1025N19	WILKO 778.50 BLUE GREEN - 55 GAL DRUMS	0.440 ga
033775004EA	DRSCR #6-1/4 304 S.S.	2.000 ea
034180054KA	7/8 SQ X 6.75 KEY	1.000 ea
MN416	TAG-INSTAL-MAINT w/wire. (1200/bx) 3/19	1.000 ea
PK5004A09	BASE 48 X 39-1/4 STACK 2 X 4 RUNNER	1.000 ea

LB1449	DIV-2/NEC WARNING LABEL	1.000 ea
412118006A	DRAIN	2.000 ea

617434-660

ENCLOSURE: TOTALLY ENCLOSED

DUTY MASTER ALTERNATING CURRENT MOTORS

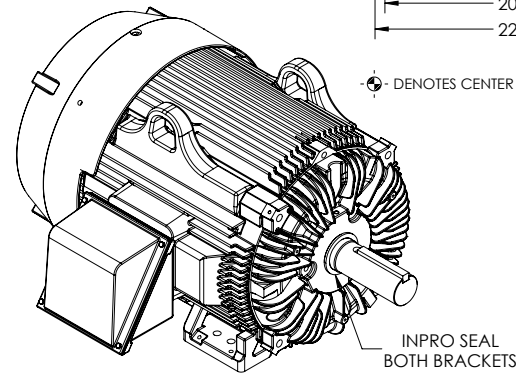
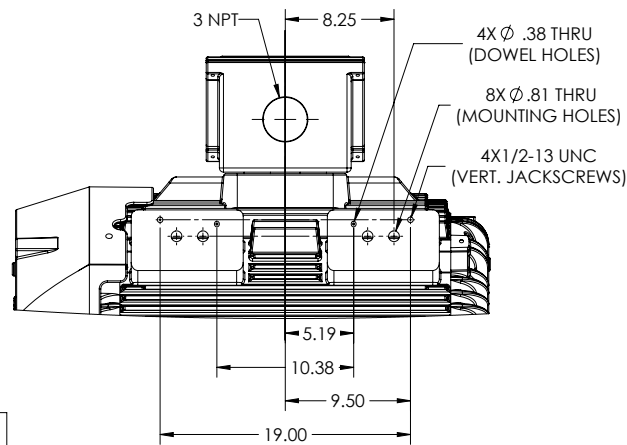
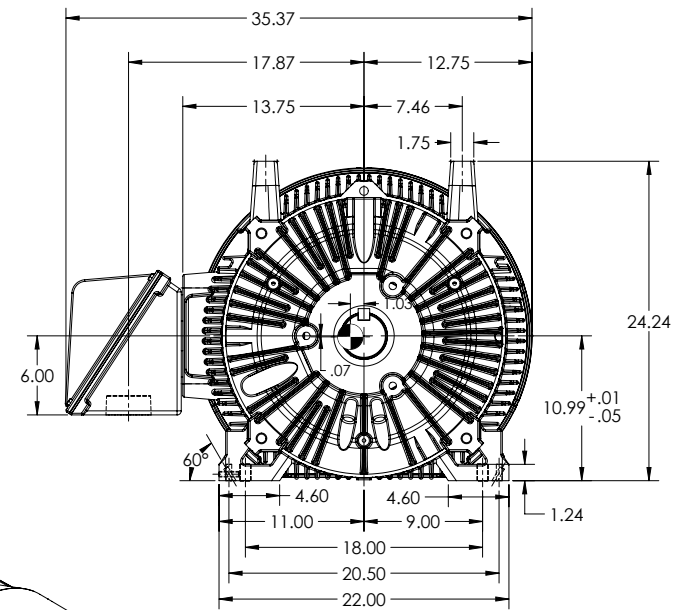
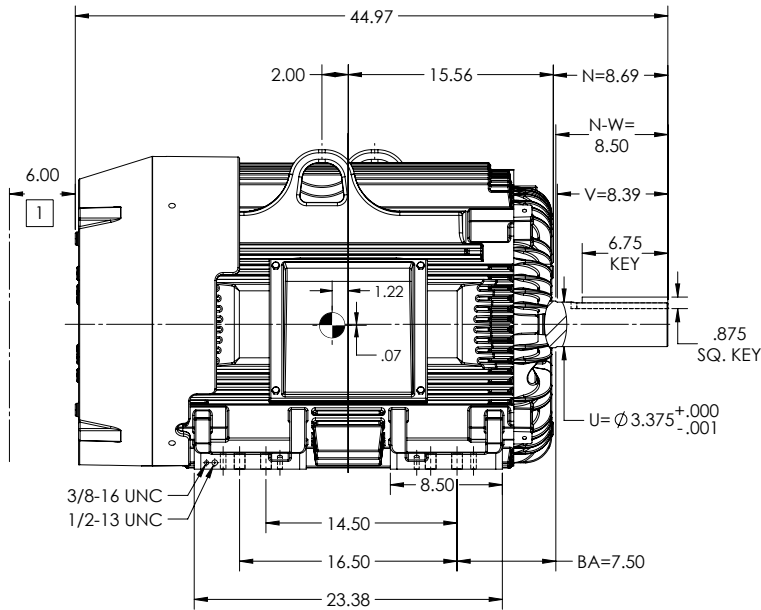
SQUIRREL-CAGE INDUCTION

COOLING: FAN COOLED

MOUNTING: FOOT, F-1 SIDE

G445T/G444T FRAME MOUNTING HOLES
CENTER OF GRAVITY

841-XL ENHANCEMENT



⊙ DENOTES CENTER OF GRAVITY WHICH VARIES BY ±1.00 INCH

1 OBSTRUCTION MUST NOT ENCR OACH ON AIR INLET.

DIMENSIONS ARE IN INCHES.
MOTOR WEIGHTS (LBS) = 2130 ± 15% DEPENDING ON RATING.
IF MOUNTING CLEARANCE DETAILS ARE REQUIRED, CONSULT FACTORY.
MAX PERMISSIBLE SHAFT RUNOUT WHEN MEASURED AT END OF STANDARD SHAFT EXTENSION IS .0015 T.I.R.(BALL)
OR .002 T.I.R.(ROLLER)
CUSTOMER IS RESPONSIBLE FOR DETERMINING THAT MOTOR PERFORMANCE IS SUITABLE IN THE APPLICATION.

SHEET NUMBER
1 OF 2

099-F72-119

REV. DESC: ADD CENTER GRAVITY		TDR: 000001134943	
REV: C	VERSION: 03	REVISED: 08-56-38 03/10/2020	REF:
MODEL NO. 617434-660	BY: RAGGDM	Material:	

BALDOR

G445/444T TEFC F1 FTD C1 BX JACKSCREWS/DOWEL PINS-INPRO/CG

617434-660

617434-660

ENCLOSURE: TOTALLY ENCLOSED

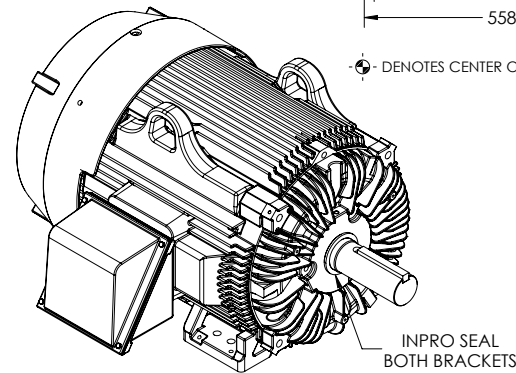
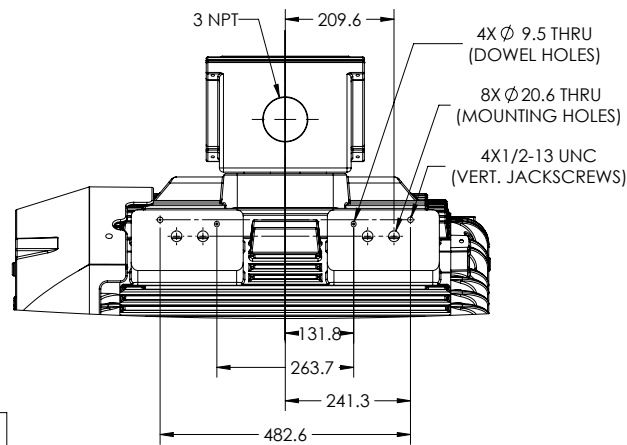
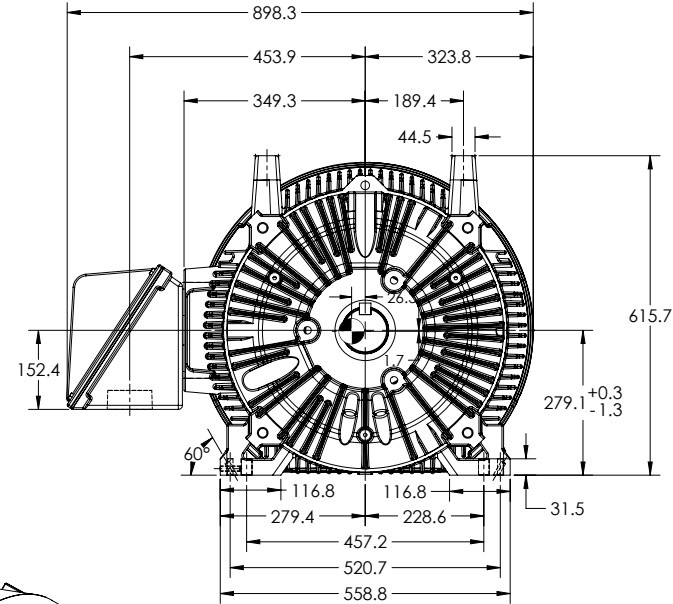
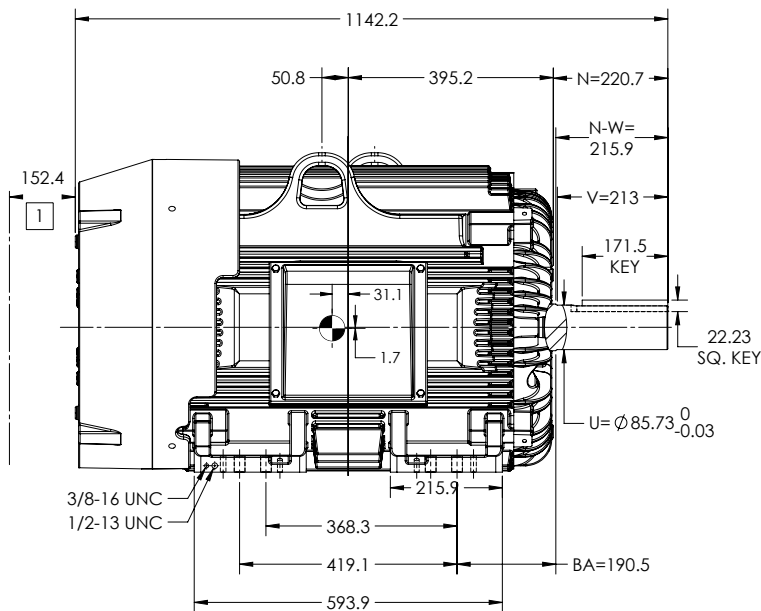
DUTY MASTER ALTERNATING CURRENT MOTORS
SQUIRREL-CAGE INDUCTION

COOLING: FAN COOLED

MOUNTING: FOOT, F-1 SIDE

G445T/G444T FRAME MOUNTING HOLES
CENTER OF GRAVITY

841-XL ENHANCEMENT



⊙ DENOTES CENTER OF GRAVITY WHICH VARIES BY ±1.00 INCH

1 OBSTRUCTION MUST NOT ENCR OACH ON AIR INLET.

DIMENSIONS ARE IN MILLIMETERS.
MOTOR WEIGHTS (KGS) = 970 ±15% DEPENDING ON RATING.
IF MOUNTING CLEARANCE DETAILS ARE REQUIRED, CONSULT FACTORY.
MAX PERMISSIBLE SHAFT RUNOUT WHEN MEASURED AT END OF STANDARD SHAFT EXTENSION IS .04 T.I.R.(BALL)
OR .05 T.I.R.(ROLLER)
CUSTOMER IS RESPONSIBLE FOR DETERMINING THAT MOTOR PERFORMANCE IS SUITABLE IN THE APPLICATION.

SHEET NUMBER
2 OF 2

099-F72119

REV. DESC: ADD CENTER GRAVITY			
REV: c	VERSION: 03	REVISED: 08-26-38 03:10:2020	TDR: 000001134943
MODEL NO. 617434-660		REF:	
BY: RAGGDM	Material:	C	

BALDOR

G445/444T TEFC F1 FTD C1 BX JACKSCREWS/DOWEL PINS-INPROS/CG

617434-660

416820-036

A-C MOTOR
CONNECTION DIAGRAM
STANDARD 3 LEAD CONNECTED



(N.P. 1575-BA)

416820-036

REV. DESC: LOADED TO BUS, C/R 335225		
REV. LTR: -	VERSION: 00	TDR: 000000538207
FILE: \MGA\00000\682	REVISED: 11:54:06 04/30/2010	
MTL: -	BY: RAGRA	

BALDOR

CONN DIAG - STANDARD 3 LEAD
SH 1 of 1