

**BALDOR • RELIANCE**

---

# Customer information packet

## ECP84410TR-4

125HP, 1785, 3PH, 60HZ, 444T, TEFC, F1

Class - CLI GP A,B,C,D

Division - Division II

## Specifications

|                               |                               |
|-------------------------------|-------------------------------|
| Enclosure                     | TEFC                          |
| Frame                         | 444T                          |
| Frame Material                | Iron                          |
| Frequency                     | 60.00 Hz                      |
| Motor Letter Type             | Three Phase                   |
| Output @ Frequency            | 125.000 HP @ 60 HZ            |
| Phase                         | 3                             |
| Synchronous Speed @ Frequency | 1800 RPM @ 60 HZ              |
| Voltage @ Frequency           | 460.0 V @ 60 HZ               |
| XP Class and Group            | CLI GP A,B,C,D                |
| XP Division                   | Division II                   |
| Agency Approvals              | CCSA US<br>NEMA PREMIUM<br>UR |
| Ambient Temperature           | 40 °C                         |
| Auxillary Box                 | No Auxillary Box              |
| Base Indicator                | Rigid                         |
| Bearing Grease Type           | Mobil SHC 220 (Athens Only)   |
| Constant Torque Speed Range   | 10-60                         |
| Current @ Voltage             | 144.000 A @ 460.0 V           |
| Design Code                   | B                             |
| Drip Cover                    | No Drip Cover                 |
| Duty Rating                   | CONT                          |
| Efficiency @ 100% Load        | 95.4 %                        |
| Enclosure Modification        | 841                           |
| Feedback Device               | NO FEEDBACK                   |
| Heater Indicator              | No Heater                     |
| High Voltage Full Load Amps   | 144.0 a                       |
| Insulation Class              | F                             |
| Inverter Code                 | Inverter Ready                |
| IP Rating                     | IP56                          |
| KVA Code                      | G                             |

## Part detail

|              |            |
|--------------|------------|
| Revision     | E          |
| Type         | AC         |
| Mech. spec.  |            |
| Base         |            |
| Status       | PRD/A      |
| Elec. spec.  | A44WG3870  |
| Layout       | 617434-660 |
| Eff. date    | 11-24-2020 |
| CD Diagram   | 416820-036 |
| Poles        | 04         |
| Leads        | 3#1/0      |
| Proprietary  | False      |
| Created date | 08-06-2019 |

| Lifting Lugs                  | Standard Lifting Lugs      |
|-------------------------------|----------------------------|
| Motor Lead Quantity/Wire Size | 3 @ 1/0 AWG                |
| Motor Standards               | None                       |
| Motor Type                    | A44076M                    |
| Mounting Arrangement          | F1                         |
| No Load Current               | 44.8 a                     |
| Number of Poles               | 4                          |
| Overall Length                | 44.97 IN                   |
| Power Factor                  | 85                         |
| Pulley End Bearing Type       | Roller                     |
| Pulley Face Code              | Standard                   |
| Service Factor                | 1.15                       |
| Shaft Diameter                | 3.375 IN                   |
| Shaft Ground Indicator        | No Shaft Grounding         |
| Shaft Rotation                | Phase Seq-Std Rot (CCWODE) |
| Shaft Slinger Indicator       | No Slinger                 |
| Speed                         | 1785 rpm                   |
| Speed Code                    | Single Speed               |
| Starting Method               | Direct on line             |
| Thermal Device - Bearing      | None                       |
| Thermal Device - Winding      | None                       |
| XP Temp Code                  | T3                         |

**Nameplate**

**NP3237**

|                           |              |                        |               |                            |      |                              |      |                    |      |
|---------------------------|--------------|------------------------|---------------|----------------------------|------|------------------------------|------|--------------------|------|
| <b>CAT NO</b>             | ECP84410TR-4 | <b>SPEC NO.</b>        | A44-9303-3870 |                            |      |                              |      |                    |      |
| <b>HP</b>                 | 125          | <b>AMPS</b>            | 144           | <b>VOLTS</b>               | 460  | <b>DESIGN</b>                | B    |                    |      |
| <b>FRAME SIZE</b>         | 444T         | <b>RPM</b>             | 1785          | <b>HZ</b>                  | 60   | <b>AMB</b>                   | 40   | <b>SF</b>          | 1.15 |
| <b>D.E. BRG.DATA</b>      | NU222        | <b>O.D.E. BRG.DATA</b> | 6318          | <b>PH</b>                  | 3    | <b>DUTY</b>                  | CONT | <b>INSUL.CLASS</b> | F    |
| <b>D.E. BRG.</b>          | 110RU02M30X  | <b>TYPE P</b>          | P             | <b>ENCL</b>                | TEFC | <b>CODE</b>                  | G    |                    |      |
| <b>O.D.E. BRG.</b>        | 90BC03J30X   | <b>POWER FACTOR</b>    | 85            | <b>NEMA-NOM-EFFICIENCY</b> | 95.4 |                              |      |                    |      |
| <b>3/4 LOAD EFF.</b>      | 95.8         | <b>IP</b>              | 56            | <b>MAX CORR KVAR</b>       | 27   | <b>GUARANTEED EFFICIENCY</b> | 94.5 |                    |      |
| <b>TEMP CODE</b>          | T3           | <b>TEMP =</b>          | 200           |                            |      |                              |      |                    |      |
| <b>CHP HZ</b>             | 60-90        | <b>CT HZ</b>           | 10-60         | <b>VT HZ</b>               | 0-60 |                              |      |                    |      |
| <b>INVERTER-TEMP-CODE</b> | T3           |                        |               |                            |      |                              |      |                    |      |
| <b>SER.NO.</b>            |              | <b>MOTOR WEIGHT</b>    |               |                            |      |                              |      |                    |      |

---

**000613007EX**

---

|                        |              |                                 |               |             |
|------------------------|--------------|---------------------------------|---------------|-------------|
| <b>CAT NO</b>          | ECP84410TR-4 | <b>SPEC NO.</b>                 | A44-9303-3870 |             |
| <b>NO. ROTOR BARS</b>  | 58           | <b>GREASE TYPE</b>              | MOBIL SHC 220 |             |
| <b>NO. SLOTS</b>       | 72           | <b>NL AMPS AT RATED VOLTAGE</b> |               | 44.8        |
| <b>5 YEAR WARRANTY</b> |              | <b>WINDING RES @25 C</b>        | .03840        | <b>OHMS</b> |
| <b>MFG. DATE</b>       |              | <b>SER.NO</b>                   |               |             |
|                        |              |                                 |               |             |
|                        |              |                                 |               |             |

---

## Parts list

| Part number | Description                              | Quantity |
|-------------|--|----------|
| SA373112    | SA A44-9303-3870                         | 1.000 ea |
| RA362895    | RA A44-9303-3870                         | 1.000 ea |
| 000692000RT | N/P                                      | 1.000 ea |
| 418151014G  | RETAIN RING                              | 1.000 ea |
| 000613006PU | N/P (RELEASE QTY 10,000) UL CSA LABEL    | 1.000 ea |
| NP3237      | SS SUPER E INVERTER DUTY IEEE 841        | 1.000 ea |
| 000613007EX | SS IEEE 841 EMBOSSED AUXILIARY NAMEPLATE | 1.000 ea |
| 000692000FF | N/P                                      | 1.000 ea |
| 000692000JP | N/P                                      | 1.000 ea |
| 000692000VD | LABEL WARNING                            | 1.000 ea |
| 000692000VH | N/P (RELEASE 1000 PCS)                   | 1.000 ea |
| 421948051   | LABEL, MYLAR                             | 1.000 ea |
| 004824015AP | GREASE MOBILITH SHC 220                  | 1.160 lb |
| 032018008CK | HHCS 3/8-16X1L PLATED                    | 4.000 ea |
| 032018020FK | HHCS 3/4-10X2-1/2 PLTD.                  | 4.000 ea |
| 032018030DK | HHCS 1/2-13X3-3/4 PLTD.                  | 3.000 ea |
| 032620016LA | SOCKET SET SCREW-449                     | 3.000 ea |
| 034017014AB | LCKW 3/8 STD. PLATED                     | 4.000 ea |
| 034180014DA | KEY 1/4X1/4X1-3/4 L                      | 1.000 ea |
| 034530064AB | P/NIP 1/8 X 8" L Pipe Nipple             | 1.000 ea |
| 034530064BB | P/NIP 1/4X8 PLATED                       | 1.000 ea |
| 034631002AB | BUSH 1/4 TO 1/8 PLTD.                    | 1.000 ea |
| 034690005AB | PPLG 3/4 PLATED                          | 2.000 ea |
| 035000001G  | GREASE RELIEF FITTING, ALEMITE 317400    | 1.000 ea |
| 078548001R  | FAN KB 234/150 (84) 400                  | 1.000 ea |
| 083199082RA | G28 SHORT FAN COVER W/BAFFLE ASSEMBLY    | 1.000 ea |
| 089490099D  | G28 BRKT 089490098WCA                    | 1.000 ea |
| 415028079H  | INPRO SEAL,,625 WIDE,318 BRG             | 1.000 ea |
| 415072001B  | CLAMP                                    | 1.000 ea |
| 415096002A  | CPLG 1/8 HEX TYPE                        | 1.000 ea |
| 423709011D  | WASHER                                   | 3.000 ea |

|             |   |          |
|-------------|---|----------|
| 032018020FK | HHCS 3/4-10X2-1/2 PLTD.                 | 4.000 ea |
| 032018030DK | HHCS 1/2-13X3-3/4 PLTD.                 | 3.000 ea |
| 034530036AB | P/NIP 1/8 X4-1/2 Yellow Zinc46114-BM    | 1.000 ea |
| 034530036BB | P/NIP 1/4X4-1/2 GALV.                   | 1.000 ea |
| 034631002AB | BUSH 1/4 TO 1/8 PLTD.                   | 1.000 ea |
| 035000001G  | GREASE RELIEF FITTING, ALEMITE 317400   | 1.000 ea |
| 089490101C  | G28 BRKT 089490100WCA                   | 1.000 ea |
| 415028079J  | INPRO SEAL, .625 WIDE,222 BRG           | 1.000 ea |
| 415096002A  | CPLG 1/8 HEX TYPE                       | 1.000 ea |
| 418151014H  | RETAIN RING                             | 1.000 ea |
| 423709011D  | WASHER                                  | 3.000 ea |
| 032620016LA | SOCKET SET SCREW-449                    | 3.000 ea |
| 032018008BK | HHCS 5/16-18X1L PLATED                  | 4.000 ea |
| 032018008DK | HHCS 1/2-13X1 PLATED                    | 4.000 ea |
| 033512004LB | HHTTS 1/4-20X1/2 PLTD.                  | 1.000 ea |
| 035000001A  | ALFTG 1/8" 1610-BL                      | 1.000 ea |
| 035000001A  | ALFTG 1/8" 1610-BL                      | 1.000 ea |
| 067053001C  | GASK 440                                | 1.000 ea |
| 076863000C  | +CBCST BLKT - 440                       | 1.000 ea |
| 076864000A  | CBCST BLKT - 440                        | 1.000 ea |
| 406056007A  | GASKET, 440                             | 1.000 ea |
| 406099000A  | PLUG - FAN COVER 320-440                | 1.000 ea |
| 415000103D  | T/LUG #4AWG-1/0AWG W/HOLE FOR .250 BOLT | 1.000 ea |
| 418150003A  | GREASE FITTING CAP                      | 1.000 ea |
| 418150003A  | GREASE FITTING CAP                      | 1.000 ea |
| MG1025N19   | WILKO 778.50 BLUE GREEN - 55 GAL DRUMS  | 0.440 ga |
| 033775004EA | DRSCR #6-1/4 304 S.S.                   | 2.000 ea |
| 034180054KA | 7/8 SQ X 6.75 KEY                       | 1.000 ea |
| MN416       | TAG-INSTAL-MAINT w/wire. (1200/bx) 3/19 | 1.000 ea |
| 604797056   | 400-447 FRAME 60 X 42                   | 1.000 ea |
| 032510024D  | CARRIAGE BOLT - 444                     | 2.000 ea |
| 034001014AB | FLAT WASHER 3/8"PLATED                  | 2.000 ea |
| 033300014AC | HEX NUT, SHIPPING - 400                 | 2.000 ea |
| 604799003C  | PLASTIC BAG 42X32X46                    | 1.000 ea |

---

|            |                         |          |
|------------|-------------------------|----------|
| LB1449     | DIV-2/NEC WARNING LABEL | 1.000 ea |
| 412118006A | DRAIN                   | 2.000 ea |

---



617434-660

ENCLOSURE: TOTALLY ENCLOSED

**DUTY MASTER ALTERNATING CURRENT MOTORS**

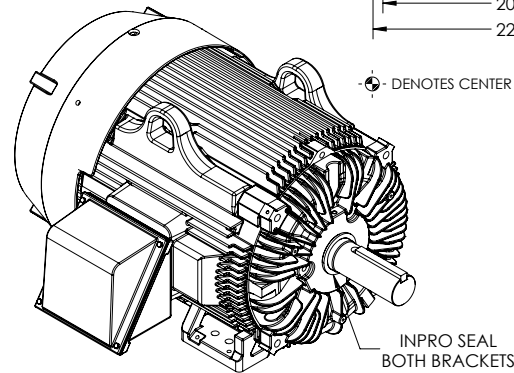
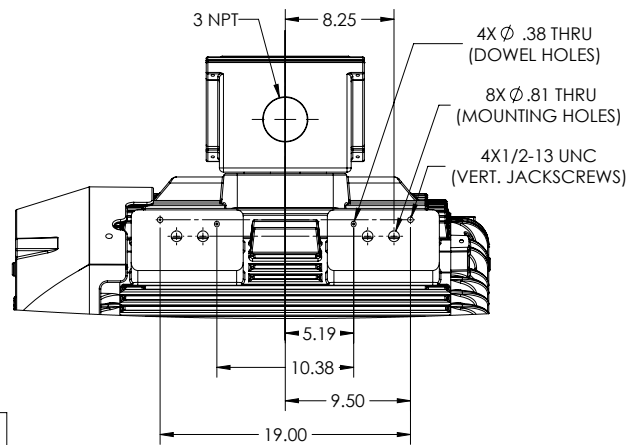
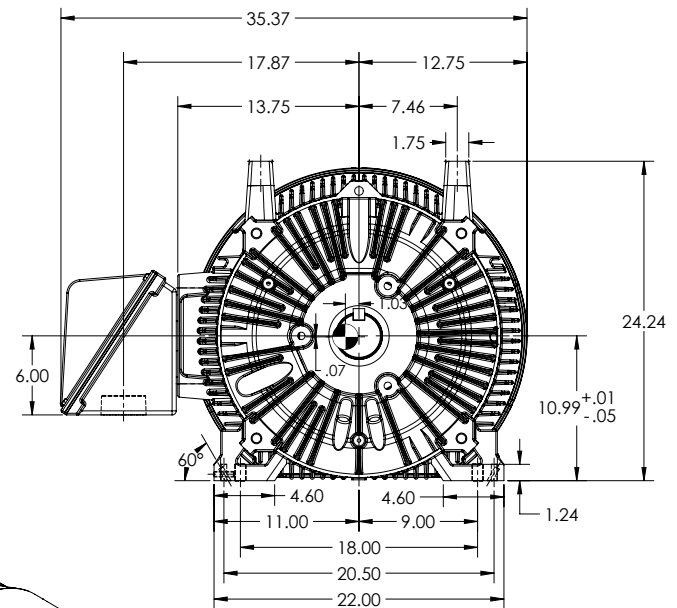
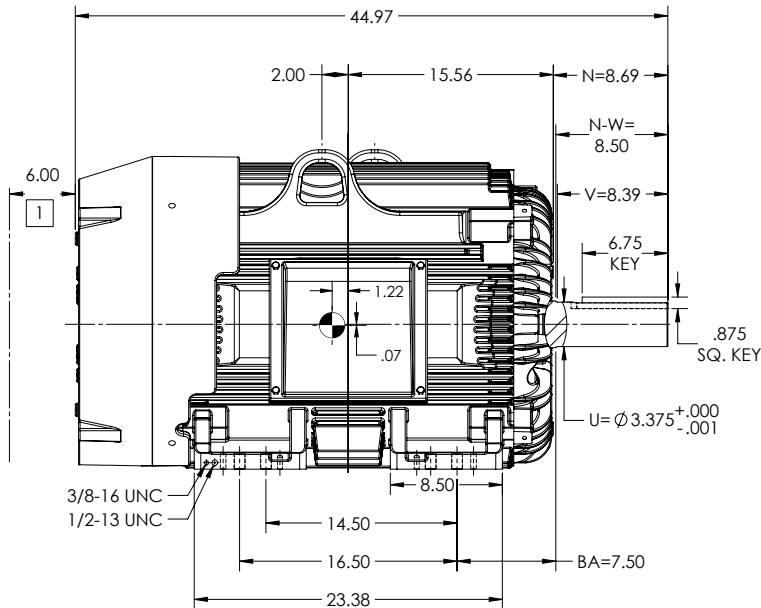
SQUIRREL-CAGE INDUCTION

COOLING: FAN COOLED

MOUNTING: FOOT, F-1 SIDE

G445T/G444T FRAME MOUNTING HOLES  
CENTER OF GRAVITY

841-XL ENHANCEMENT



⊙ DENOTES CENTER OF GRAVITY WHICH VARIES BY ±1.00 INCH

1 OBSTRUCTION MUST NOT ENCR OACH ON AIR INLET.

DIMENSIONS ARE IN INCHES.  
MOTOR WEIGHTS (LBS) = 2130 ±15% DEPENDING ON RATING.  
IF MOUNTING CLEARANCE DETAILS ARE REQUIRED, CONSULT FACTORY.  
MAX PERMISSIBLE SHAFT RUNOUT WHEN MEASURED AT END OF STANDARD SHAFT EXTENSION IS .0015 T.I.R.(BALL)  
OR .002 T.I.R.(ROLLER)  
CUSTOMER IS RESPONSIBLE FOR DETERMINING THAT MOTOR PERFORMANCE IS SUITABLE IN THE APPLICATION.

SHEET NUMBER  
1 OF 2

099-F17L19

|                               |             |                              |                   |
|-------------------------------|-------------|------------------------------|-------------------|
| REV. DESC: ADD CENTER GRAVITY |             |                              |                   |
| REV: C                        | VERSION: 03 | REVISED: 08-56-38 03/10/2020 | TDR: 000001134943 |
| MODEL NO. 617434-660          |             | REF:                         |                   |
| BY: RAGGDM                    | Material:   | C                            |                   |

**BALDOR**

G445/444T TEFC F1 FTD C1 BX JACKSCREWS/DOWEL PINS-INPRO/CSG

617434-660

617434-660

ENCLOSURE: TOTALLY ENCLOSED

**DUTY MASTER ALTERNATING CURRENT MOTORS**

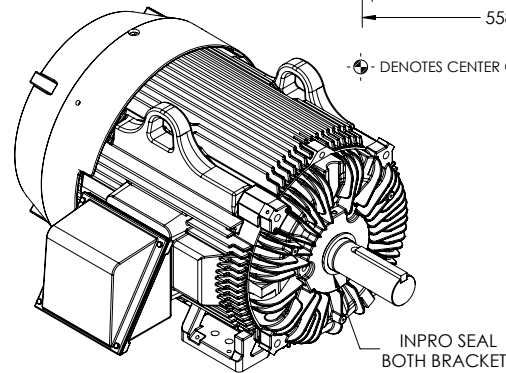
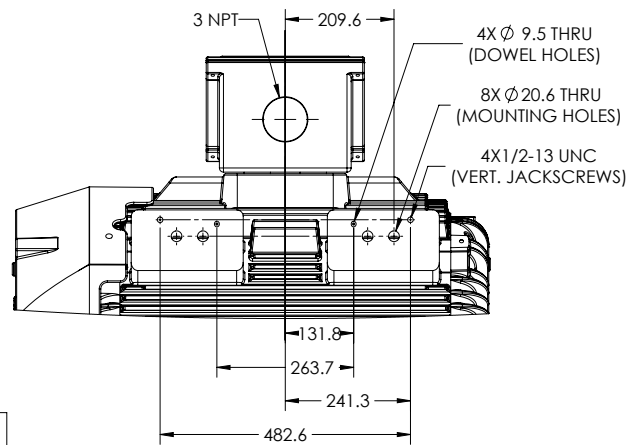
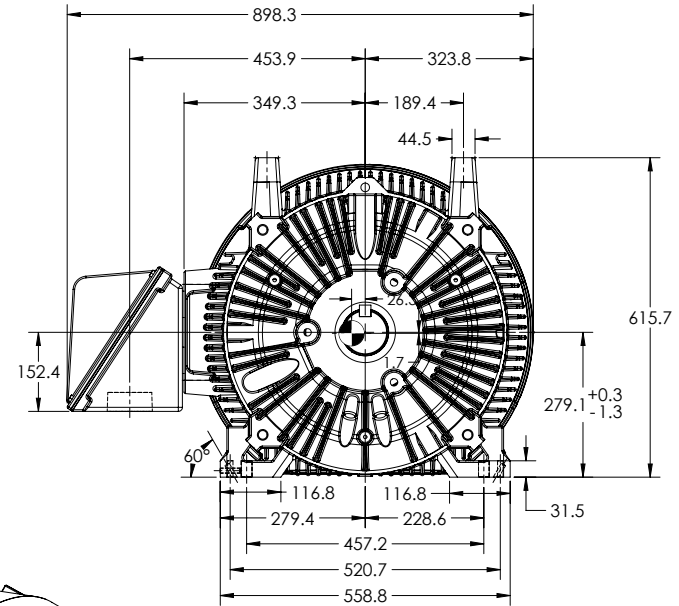
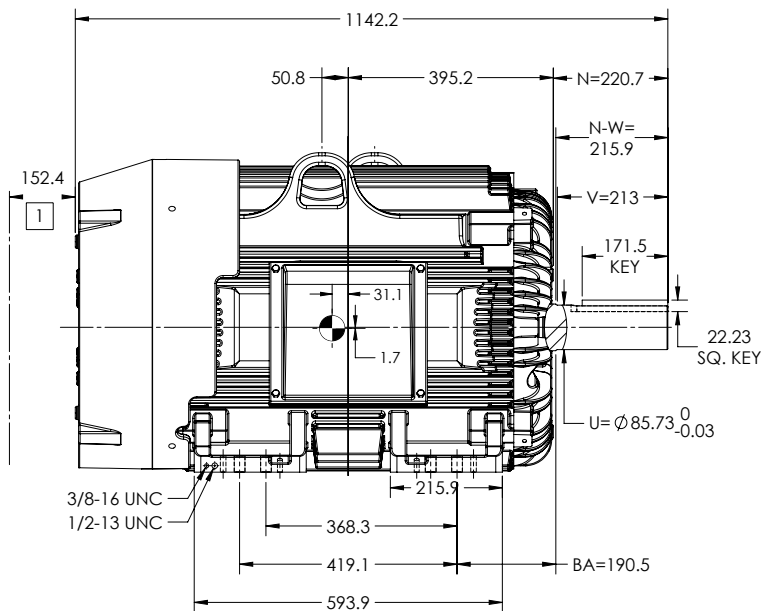
SQUIRREL-CAGE INDUCTION

COOLING: FAN COOLED

MOUNTING: FOOT, F-1 SIDE

G445T/G444T FRAME MOUNTING HOLES  
CENTER OF GRAVITY

841-XL ENHANCEMENT



⊙ DENOTES CENTER OF GRAVITY WHICH VARIES BY ±1.00 INCH

1 OBSTRUCTION MUST NOT ENCR OACH ON AIR INLET.

DIMENSIONS ARE IN MILLIMETERS.  
MOTOR WEIGHTS (KGS) = 970 ±15% DEPENDING ON RATING.  
IF MOUNTING CLEARANCE DETAILS ARE REQUIRED, CONSULT FACTORY.  
MAX PERMISSIBLE SHAFT RUNOUT WHEN MEASURED AT END OF STANDARD SHAFT EXTENSION IS .04 T.I.R.(BALL)  
OR .05 T.I.R.(ROLLER)  
CUSTOMER IS RESPONSIBLE FOR DETERMINING THAT MOTOR PERFORMANCE IS SUITABLE IN THE APPLICATION.

SHEET NUMBER  
2 OF 2

099-F72-119

|                               |             |                              |      |
|-------------------------------|-------------|------------------------------|------|
| REV. DESC: ADD CENTER GRAVITY |             | TDR: 000001134943            |      |
| REV: C                        | VERSION: 03 | REVISED: 08-56-38 03/10/2020 | REF: |
| MODEL NO. 617434-660          |             | REF:                         |      |
| BY: RAGGDM                    | Material:   | C                            |      |

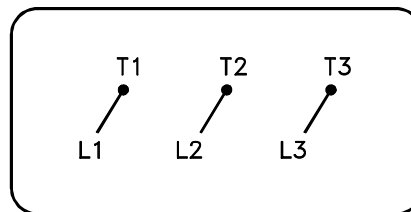
**BALDOR**

G445/444T TEFC F1 FTD C1 BX JACKSCREWS/DOWEL PINS-INPROS/CG

617434-660

416820-036

A-C MOTOR  
CONNECTION DIAGRAM  
STANDARD 3 LEAD CONNECTED



(N.P. 1575-BA)

416820-036

|                                      |                                |                   |
|--------------------------------------|--------------------------------|-------------------|
| REV. DESC: LOADED TO BUS, C/R 335225 |                                |                   |
| REV. LTR: -                          | VERSION: 00                    | TDR: 000000538207 |
| FILE: \MGA\00000\682                 | REVISED: 11: 54: 06 04/30/2010 |                   |
| MTL: -                               | BY: RAGRA                      |                   |

**BALDOR**

CONN DIAG - STANDARD 3 LEAD  
SH 1 of 1