

BALDOR® • RELIANCE®

Customer information packet

ECP844252T-5

250HP, 3575RPM, 3PH, 60HZ, 449TS, TEFC, FOOT,
Class - CLI GP A,B,C,D
Division - Division II

Specifications

Enclosure	TEFC
Frame	449TS
Frame Material	Iron
Frequency	60.00 Hz
Motor Letter Type	Three Phase
Output @ Frequency	250.000 HP @ 60 HZ
Phase	3
Synchronous Speed @ Frequency	3600 RPM @ 60 HZ
Voltage @ Frequency	575.0 V @ 60 HZ
XP Class and Group	CLI GP A,B,C,D
XP Division	Division II
Agency Approvals	CCSA US NEMA PREMIUM UR
Ambient Temperature	40 °C
Auxillary Box	No Auxillary Box
Base Indicator	Rigid
Bearing Grease Type	Polyrex EM (-20F +300F)
Constant Torque Speed Range	30-60
Current @ Voltage	212.000 A @ 575.0 V
Design Code	B
Drip Cover	No Drip Cover
Duty Rating	CONT
Efficiency @ 100% Load	96.2 %
Enclosure Modification	841
Feedback Device	NO FEEDBACK
Heater Indicator	No Heater
High Voltage Full Load Amps	212.0 a
Insulation Class	F
Inverter Code	Inverter Ready
IP Rating	IP56
KVA Code	G

Part detail

Revision	B
Type	AC
Mech. spec.	
Base	
Status	PRD/A
Elec. spec.	A44WG1506
Layout	617434-664
Eff. date	11-13-2020
CD Diagram	416820-036
Poles	02
Leads	3#1/0 (02 per group)
Proprietary	False
Created date	12-10-2018

Lifting Lugs	No Lifting Lugs
Motor Lead Quantity/Wire Size	6 @ 1/0 AWG
Motor Standards	None
Motor Type	A44128M
Mounting Arrangement	F1
No Load Current	37.3 a
Number of Poles	2
Overall Length	49.48 IN
Power Factor	91
Pulley End Bearing Type	Ball
Pulley Face Code	Standard
Service Factor	1.15
Shaft Diameter	2.375 IN
Shaft Ground Indicator	No Shaft Grounding
Shaft Rotation	Phase Seq-Std Rot (CCWODE)
Shaft Slinger Indicator	No Slinger
Speed	3570 rpm
Speed Code	Single Speed
Starting Method	Direct on line
Thermal Device - Winding	None
XP Temp Code	T2C

Nameplate

NP3237

CAT NO	ECP844252T-5	SPEC NO.	A44-5000-1506						
HP	250	AMPS	212	VOLTS	575	DESIGN	B		
FRAME SIZE	449TS	RPM	3570	HZ	60	AMB	40	SF	1.15
D.E. BRG.DATA	6313	O.D.E. BRG.DATA	6313	PH	3	DUTY	CONT	INSUL.CLASS	
D.E. BRG.	65BC03J30X	TYPE P	P	ENCL	TEFC	CODE	G		
O.D.E. BRG.	65BC03J30X	POWER FACTOR	91	NEMA-NOM-EFFICIENCY	96.2				
3/4 LOAD EFF.	96.6	IP	56	MAX CORR KVAR	23.0	GUARANTEED EFFICIENCY	95.4		
TEMP CODE	T2C	TEMP =	230						
CHP HZ	60-75	CT HZ	30-60	VT HZ	0-60				
INVERTER-TEMP-CODE	T2C								
SER.NO.		MOTOR WEIGHT	2784						

000613007EX

CAT NO	ECP844252T-5	SPEC NO.	A44-5000-1506
NO. ROTOR BARS	40	GREASE TYPE	POLYREX EM
NO. SLOTS	48	NL AMPS AT RATED VOLTAGE	37.3
5 YEAR WARRANTY		WINDING RES @25 C	.0182 OHMS
MFG. DATE		SER.NO	

Parts list

Part number	Description	Quantity
SA364349	SA A44-5000-1506	1.000 ea
RA353673	RA A44-5000-1506	1.000 ea
000613006PU	N/P (RELEASE QTY 10,000) UL CSA LABEL	1.000 ea
NP3237	SS SUPER E INVERTER DUTY IEEE 841	1.000 ea
000613007EX	SS IEEE 841 EMBOSSED AUXILIARY NAMEPLATE	1.000 ea
000692000FF	N/P	1.000 ea
000692000JP	N/P	1.000 ea
000692000VD	LABEL WARNING	1.000 ea
000692000VH	N/P (RELEASE 1000 PCS)	1.000 ea
034690005AB	PPLG 3/4 PLATED	1.000 ea
004824015A	GREASE POLYREX EM	0.544 lb
032018008CK	HHCS 3/8-16X1L PLATED	4.000 ea
032018020FK	HHCS 3/4-10X2-1/2 PLTD.	4.000 ea
032018022CK	HHCS 3/8-16X2-3/4 PLTD	3.000 ea
032620016LA	SOCKET SET SCREW-449	3.000 ea
034017014AB	LCKW 3/8 STD. PLATED	4.000 ea
034180014DA	KEY 1/4X1/4X1-3/4 L	1.000 ea
034530072AB	P/NIP 1/8X9"L Threaded both ends	1.000 ea
034530072BB	PIPE NIPPLE,DE - 440-BS	1.000 ea
034600001AA	BUSH 1/4TO1/8 BLACK	1.000 ea
034630002AB	CPLG 1/4" PLATED	1.000 ea
034690005AB	PPLG 3/4 PLATED	2.000 ea
035000001G	GREASE RELIEF FITTING, ALEMITE 317400	1.000 ea
083199082RA	G28 SHORT FAN COVER W/BAFFLE ASSEMBLY	1.000 ea
089490097C	BRKT,DE	1.000 ea
410700004F	WSHR	1.000 ea
415028079E	INPRO SEAL,.625 WIDE,313 BRG	1.000 ea
415072001B	CLAMP	1.000 ea
415096002A	CPLG 1/8 HEX TYPE	1.000 ea
423709011C	WASHER	3.000 ea
702675001D	FAN 250-440	1.000 ea

032018004BK	HHCS 5/16-18X1/2 PLATED	3.000 ea
032018006BK	HHCS 5/16-18X3/4 PLATED	3.000 ea
032018020FK	HHCS 3/4-10X2-1/2 PLTD.	4.000 ea
032018022CK	HHCS 3/8-16X2-3/4 PLTD	3.000 ea
034017013AB	LCKW 5/16 STD. PLATED	3.000 ea
415915007K	GASK, 26" LAC	1.000 ea
034530072AB	P/NIP 1/8X9"L Threaded both ends	1.000 ea
034530072BB	PIPE NIPPLE,DE - 440-BS	1.000 ea
034600001AA	BUSH 1/4TO1/8 BLACK	1.000 ea
034630002AB	CPLG 1/4" PLATED	1.000 ea
035000001G	GREASE RELIEF FITTING, ALEMITE 317400	1.000 ea
089490097C	BRKT,DE	1.000 ea
415028079E	INPRO SEAL,,625 WIDE,313 BRG	1.000 ea
415096002A	CPLG 1/8 HEX TYPE	1.000 ea
423709011C	WASHER	3.000 ea
702623022A	G28 AIR DEFLECTOR DRIVE END -- PLASTIC	1.000 ea
702623012A	THERMAL BARRIER, G28	1.000 ea
032018008BK	HHCS 5/16-18X1L PLATED	4.000 ea
032018008DK	HHCS 1/2-13X1 PLATED	4.000 ea
033512004LB	HHTTS 1/4-20X1/2 PLTD.	1.000 ea
035000001A	ALFTG 1/8" 1610-BL	1.000 ea
035000001A	ALFTG 1/8" 1610-BL	1.000 ea
067053014A	GASK 440	1.000 ea
076870000B	+CBCST BLKT - 440	1.000 ea
076871000A	+CBOX CVR BLKT - 449	1.000 ea
415039018A	TERBD, 440	1.000 ea
406099000A	PLUG - FAN COVER 320-440	1.000 ea
415000103D	T/LUG #4AWG-1/0AWG W/HOLE FOR .250 BOLT	1.000 ea
418150003A	GREASE FITTING CAP	1.000 ea
418150003A	GREASE FITTING CAP	1.000 ea
033775004EA	DRSCR #6-1/4 304 S.S.	2.000 ea
034180024HA	KEY 5/8X5/8X3 L	1.000 ea
MG1025N19	WILKO 778.50 BLUE GREEN - 55 GAL DRUMS	0.500 ga
004824003CBY	WILKO PAINT 060.02 - ACTIVATOR	0.094 ga

PK5005A01	WOOD BASE 449 60 X 41-1/2 BLT 25 X 18	1.000 ea
MG1500G03-5	LACQUER PRIMER, GRAY	0.094 ga
421948051	LABEL, MYLAR	1.000 ea
LB1449	DIV-2/NEC WARNING LABEL	1.000 ea
412118006A	DRAIN	2.000 ea

617434-664

ENCLOSURE: TOTALLY ENCLOSED

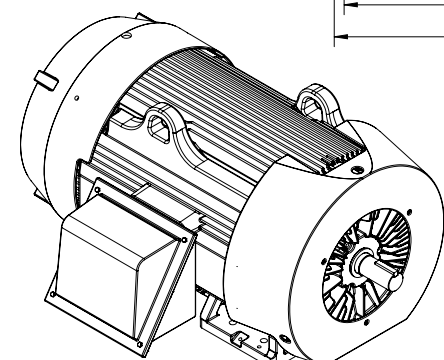
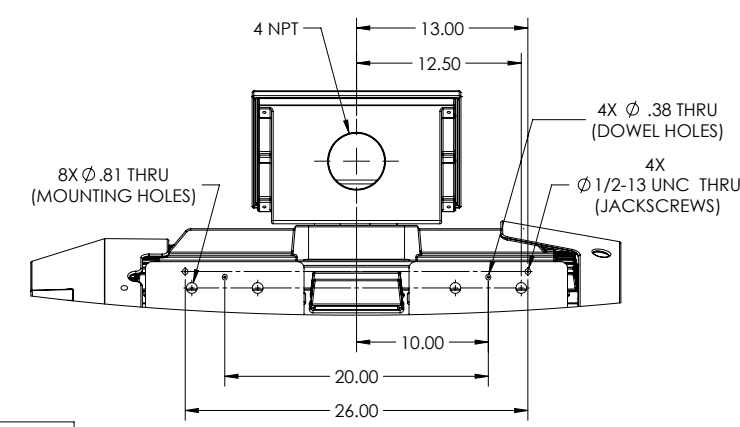
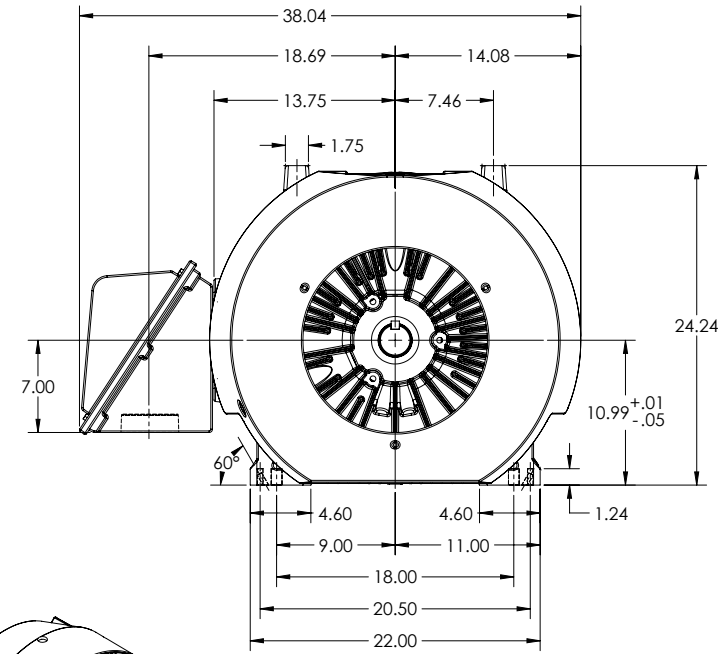
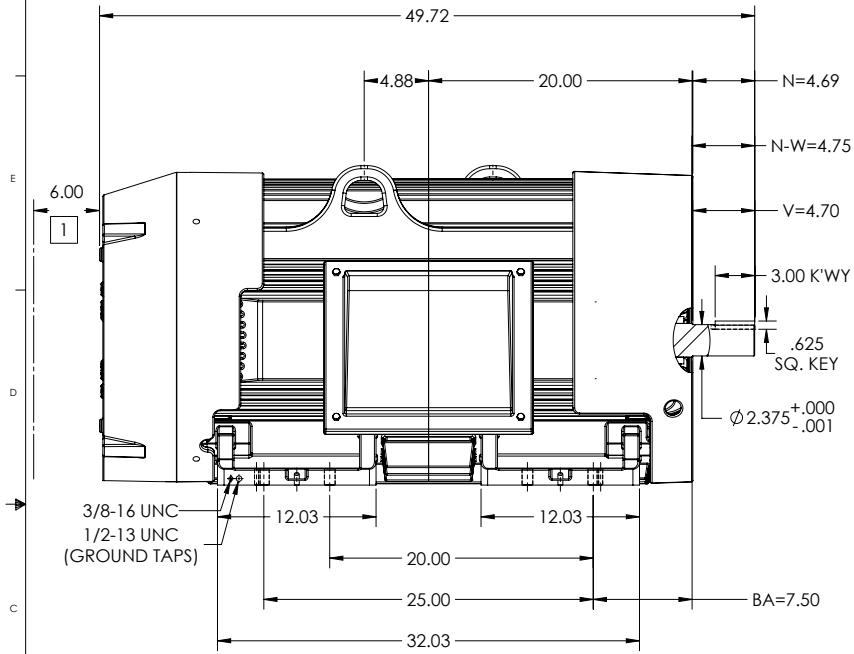
DUTY MASTER ALTERNATING CURRENT MOTORS
SQUIRREL-CAGE INDUCTION

COOLING: FAN COOLED

MOUNTING: FOOT, F-1 SIDE

G449TS/G447TS FRAME MOUNTING HOLES

ENCLOSURE ENHANCEMENT: 841-XL



1 OBSTRUCTION MUST NOT ENCR OACH ON AIR INLET.

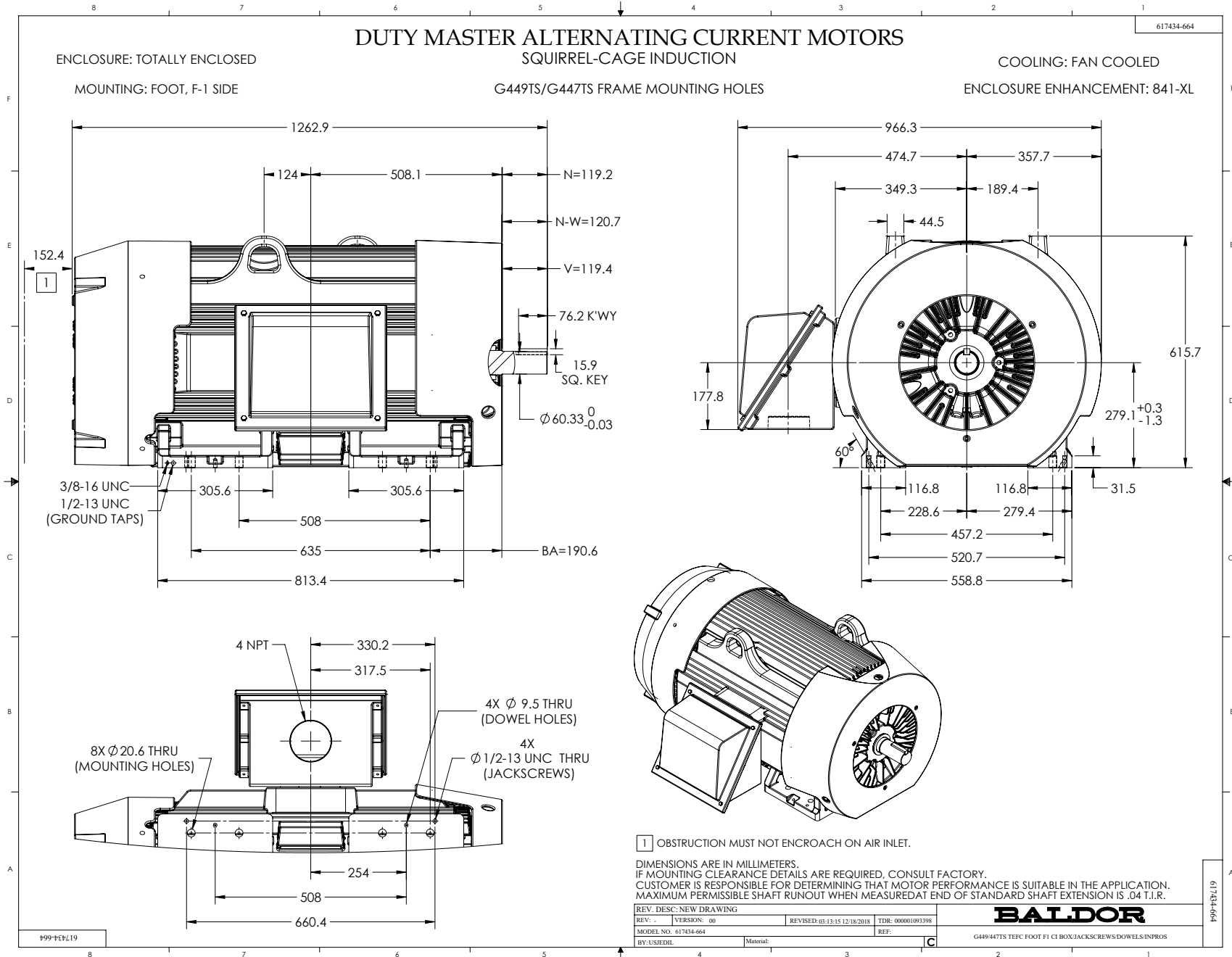
DIMENSIONS ARE IN INCHES.
IF MOUNTING CLEARANCE DETAILS ARE REQUIRED, CONSULT FACTORY.
CUSTOMER IS RESPONSIBLE FOR DETERMINING THAT MOTOR PERFORMANCE IS SUITABLE IN THE APPLICATION.
MAXIMUM PERMISSIBLE SHAFT RUNOUT WHEN MEASURED AT END OF STANDARD SHAFT EXTENSION IS .0015" T.I.R.

REV. DESC: NEW DRAWING		TDR: 00001093398	
REV: -	VERSION: 00	REVISED: 03-13-15 12/18/2018	REF:
MODEL NO. 617434-664		REF:	
BY: USJEDIL	Material:	C	

BALDOR

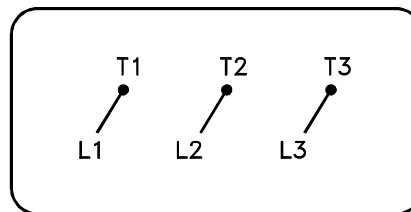
G449/447TS TEFC FOOT F1 C1 BOX/JACKSCREWS/DOWELS/INPROS

617434-664



416820-036

A-C MOTOR
CONNECTION DIAGRAM
STANDARD 3 LEAD CONNECTED



(N.P. 1575-BA)

416820-036

REV. DESC: LOADED TO BUS, C/R 335225		
REV. LTR: -	VERSION: 00	TDR: 000000538207
FILE: \MGA\00000\682	REVISED: 11: 54: 06 04/30/2010	
MTL: -	BY: RAGRA	

BALDOR

CONN DIAG - STANDARD 3 LEAD
SH 1 of 1