

BALDOR® • RELIANCE 

Product Information Packet

ECR9254T

25HP,1770RPM,3PH,60HZ,284T,1072M,TEFC,F1

| Part Detail | | | | | | | |
|-------------|--------|-------------|------------|-------------|--------|---------------|------------|
| Revision: | Q | Status: | PRD/A | Change #: | | Proprietary: | No |
| Type: | AC | Elec. Spec: | 10WGZ352 | CD Diagram: | CD0180 | Mfg Plant: | |
| Mech. Spec: | 10J907 | Layout: | 10LYJ907 | Poles: | 04 | Created Date: | 01-14-2015 |
| Base: | RG | Eff. Date: | 01-05-2021 | Leads: | 9#10 | | |

| Specs | | | |
|---------------------------------|-------------------------|--------------------------------|-----------------------------|
| Catalog Number: | ECR9254T | Heater Indicator: | No Heater |
| Enclosure: | TEFC | Insulation Class: | F |
| Frame: | 284T | Inverter Code: | Inverter Duty |
| Frame Material: | Iron | KVA Code: | G |
| Output @ Frequency: | 25.000 HP @ 60 HZ | Lifting Lugs: | Standard Lifting Lugs |
| Synchronous Speed @ Frequency: | 1800 RPM @ 60 HZ | Locked Bearing Indicator: | Locked Bearing |
| Voltage @ Frequency: | 460.0 V @ 60 HZ | Motor Lead Quantity/Wire Size: | 9 @ 10 AWG |
| | 230.0 V @ 60 HZ | Motor Lead Exit: | Ko Box |
| XP Class and Group: | None | Motor Lead Termination: | Flying Leads |
| XP Division: | Not Applicable | Motor Type: | 1072M |
| Agency Approvals: | CSA | Mounting Arrangement: | F1 |
| | CSA EEV | Power Factor: | 81 |
| | UR | Product Family: | Super-E Chemical Processing |
| Auxillary Box: | No Auxillary Box | Pulley End Bearing Type: | Ball |
| Auxillary Box Lead Termination: | None | Pulley Face Code: | Standard |
| Base Indicator: | Rigid | Pulley Shaft Indicator: | Standard |
| Bearing Grease Type: | Polyrex EM (-20F +300F) | Rodent Screen: | None |
| Blower: | None | Shaft Extension Location: | Pulley End |

| | | | |
|---------------------------------------|---------------------------|------------------------------------|---------------------|
| Constant Torque Speed Range: | 6 | Shaft Ground Indicator: | No Shaft Grounding |
| Current @ Voltage: | 68.000 A @ 208.0 V | Shaft Rotation: | Reversible |
| | 62.000 A @ 230.0 V | Shaft Slinger Indicator: | Shaft Slinger |
| | 31.000 A @ 460.0 V | Speed Code: | Single Speed |
| Design Code: | A | Motor Standards: | NEMA |
| Drip Cover: | No Drip Cover | Starting Method: | Direct on line |
| Duty Rating: | CONT | Thermal Device - Bearing: | None |
| Electrically Isolated Bearing: | Not Electrically Isolated | Thermal Device - Winding: | None |
| Feedback Device: | NO FEEDBACK | Vibration Sensor Indicator: | No Vibration Sensor |
| Front Face Code: | Standard | Winding Thermal 1: | None |
| Front Shaft Indicator: | None | Winding Thermal 2: | None |

| Nameplate NP3293 | | | | | | | | | | | | |
|------------------|--------------|--|----------|--------------|------|-----------|------------|------------|----------|----------|------|--|
| CAT.NO. | ECR9254T | | | P/N | | | | ENCLOSURE | TEFC | | | |
| SPEC. | 10J907Z352G1 | | CC | 010A | | FRAME | 284T | | S/N | | | |
| HP | 25 | | CLASS | F | | HZ | 60 | | DES | A | | |
| RPM | 1770 | | RPM MAX | 2700 | | PH | 3 | | KVA-CODE | G | | |
| VOLT | 230/460 | | | I.P. | 55 | | | | | | | |
| AMP | 62/31 | | | SER.F. | 1.25 | | PF | 81 | | ODE BRG | 6311 | |
| RATING | 40C AMB-CONT | | | NEMA-NOM-EFF | 93.6 | | GREASE | POLYREX EM | | | | |
| HTR-VOLTS | | | HTR-AMPS | | | HTR-WATTS | | | INV.TYPE | | | |
| | SFA 76/38 | | | C HP FR | 60 | | C HP TO | 90 | | | | |
| | | | | CT HZ FROM | 6 | | CT HZ TO | 60 | | | | |
| | | | | MOTOR WEIGHT | 380 | | VT HZ FROM | 6 | | VT HZ TO | 60 | |

| Parts List | | |
|--------------|--|----------|
| Part Number | Description | Quantity |
| SA292289 | SA 10J907Z352G1 | 1.000 EA |
| RA278406 | RA 10J907Z352G1 | 1.000 EA |
| 09FN3001C02 | EXTERNAL FAN, PLASTIC (COMES W/SCREW FRO | 1.000 EA |
| 10CB1000A09P | KOBX, MACH W/1.50 NPT & PRIMER | 1.000 EA |
| 09GS1010 | GASKET, DWG, LEADWIRE SEPERATOR | 1.000 EA |
| 10XN3118K16 | 5/16-18 X 1' GRADE #5, STL, ZINC PLATE | 4.000 EA |
| HW1001A31 | LOCKWASHER 5/16, ZINC PLT.591 OD, .319 I | 4.000 EA |
| WD1000B16 | T&B CX70TN OR L70P TERMINAL LUG | 1.000 EA |
| 10XN2520K06 | 1/4-20 X 3/8" HX HD SCREWGRADE 5, ZINC P | 1.000 EA |
| HW1001A25 | LOCKWASHER 1/4, ZINC PLT .493 OD, .255 I | 1.000 EA |
| 10XN3816K28 | 3/8-16 X 1.75 HEX HD CAP SCREW, GRADE 5 | 4.000 EA |
| HW1001A38 | LOCKWASHER 3/8, ZINC PLT .688 OD, .382 I | 4.000 EA |
| HW4600B41 | V-RING SLINGER 2.125 X 2.880 X 0.280 | 1.000 EA |
| HA4017A11 | 1/8 X 2.75 GREASE EXT (F/S) | 1.000 EA |
| HA4017A02 | .125X2.50 GREASER EXTENS.F/S | 1.000 EA |
| HW4019A01 | PIPE COUPLING 1/8 NPT,STEEL,ZINC COATING | 1.000 EA |
| HW4600B67 | V-RING SLINGER 1.770 X 2.170 X .28 VITON | 1.000 EA |
| HW5100A13 | W4627-047 WVY WSHER | 1.000 EA |
| 10XN3118K40 | 5/16-18 X 2.25" HEX HD, GRADE 5 | 4.000 EA |
| 10XN3118K40 | 5/16-18 X 2.75" HEX HD, GRADE 5 | 4.000 EA |
| 10EP1108A01P | PULLEY ENDPLATE - 312 BRG.- ENCL., EPOXY | 1.000 EA |
| 10XN3816K28 | 3/8-16 X 1.75 HEX HD CAP SCREW, GRADE 5 | 4.000 EA |
| HW1001A38 | LOCKWASHER 3/8, ZINC PLT .688 OD, .382 I | 4.000 EA |
| 10FH1007A24P | FAN COVER, MACH W/EPOXY PRIMER | 1.000 EA |

| Parts List (continued) | | |
|------------------------|---|----------|
| Part Number | Description | Quantity |
| 10XN3118K20 | 5/16-18 X 1 1/4 GRADE 5 STEEL ZC PLATED | 3.000 EA |
| HW1001A31 | LOCKWASHER 5/16, ZINC PLT.591 OD, .319 I | 3.000 EA |
| 10CB1503A01P | CONDUIT BOX LIPPED LID, MACH W/EPXY PRMR | 1.000 EA |
| 14GS1003 | GASKET CONDUIT BOX LID, NEOP | 1.000 EA |
| 10XN2520K16 | 1/4-20 X 1" HX HD SCRW GRADE 5, ZINC P | 4.000 EA |
| HW1001A25 | LOCKWASHER 1/4, ZINC PLT .493 OD, .255 I | 4.000 EA |
| HW2501H28 | KEY, 1/2 SQ X 3.250 | 1.000 EA |
| MJ5001A27 | 32220KN GRAY SEALER *MIN BUY 4 QTS=1GAL | 0.031 QT |
| MJ5002A01 | SILICON RUBBER SEALANT, 732CL 10.3 OZ TU | 0.026 EA |
| MJ5002A01 | SILICON RUBBER SEALANT, 732CL 10.3 OZ TU | 0.025 EA |
| LB1115N | LABEL,LIFTING DEVICE (ON ROLLS) | 1.000 EA |
| 10EP1110A06PP44 | FREP, MACH W/PRIMER & MG1025G96 | 1.000 EA |
| HW4500A21 | 1618BALEMITE FITTING 825 UNIVERSAL | 1.000 EA |
| HA4051A00 | PLASTIC CAP FOR GREASE FITTING | 1.000 EA |
| HW4500A17 | 317400 ALEMITE GREASE RELIEF | 1.000 EA |
| HA4054 | SHORT T-DRAIN FITTING, .125" N.P.T. | 1.000 EA |
| MJ1000A02 | GREASE, MOBIL POLYREX EM - 124047 | 0.130 LB |
| HW4500A17 | 317400 ALEMITE GREASE RELIEF | 1.000 EA |
| HW4500A03 | GREASE FITTING, .125 NPT 1610(ALEMITE) 8 | 1.000 EA |
| HA4051A00 | PLASTIC CAP FOR GREASE FITTING | 1.000 EA |
| HA4054 | SHORT T-DRAIN FITTING, .125" N.P.T. | 1.000 EA |
| HW2500A25 | WOODRUFF KEY USA #1008 #BLOW CARBON STEE | 1.000 EA |
| MG1025G96 | WILKOFASST SG, 779.7048, MOUSE GRAY #7048 | 0.070 GA |
| 85XU0407S04 | 4X1/4 U DRIVE PIN STAINLESS | 2.000 EA |

Product Information Packet: ECR9254T - 25HP,1770RPM,3PH,60HZ,284T,1072M,TEFC,F1

| | | |
|----------|--|----------|
| LB1002N | LABEL,MARINE DUTY (ON ROLLS) | 1.000 EA |
| LB1119N | WARNING LABEL | 1.000 EA |
| LC0181 | CONNECTION LABEL | 1.000 EA |
| NP3293 | SS CRUSHER DUTY INV UL CSA-EEV PREM CC | 1.000 EA |
| 10PA1000 | PACKAGING GROUP COMBINED PRINT PK1023A06 | 1.000 EA |
| MN416A01 | TAG-INSTAL-MAINT no wire (2100/bx) 4/22 | 1.000 EA |

AC Induction Motor Performance Data

Record # 50324

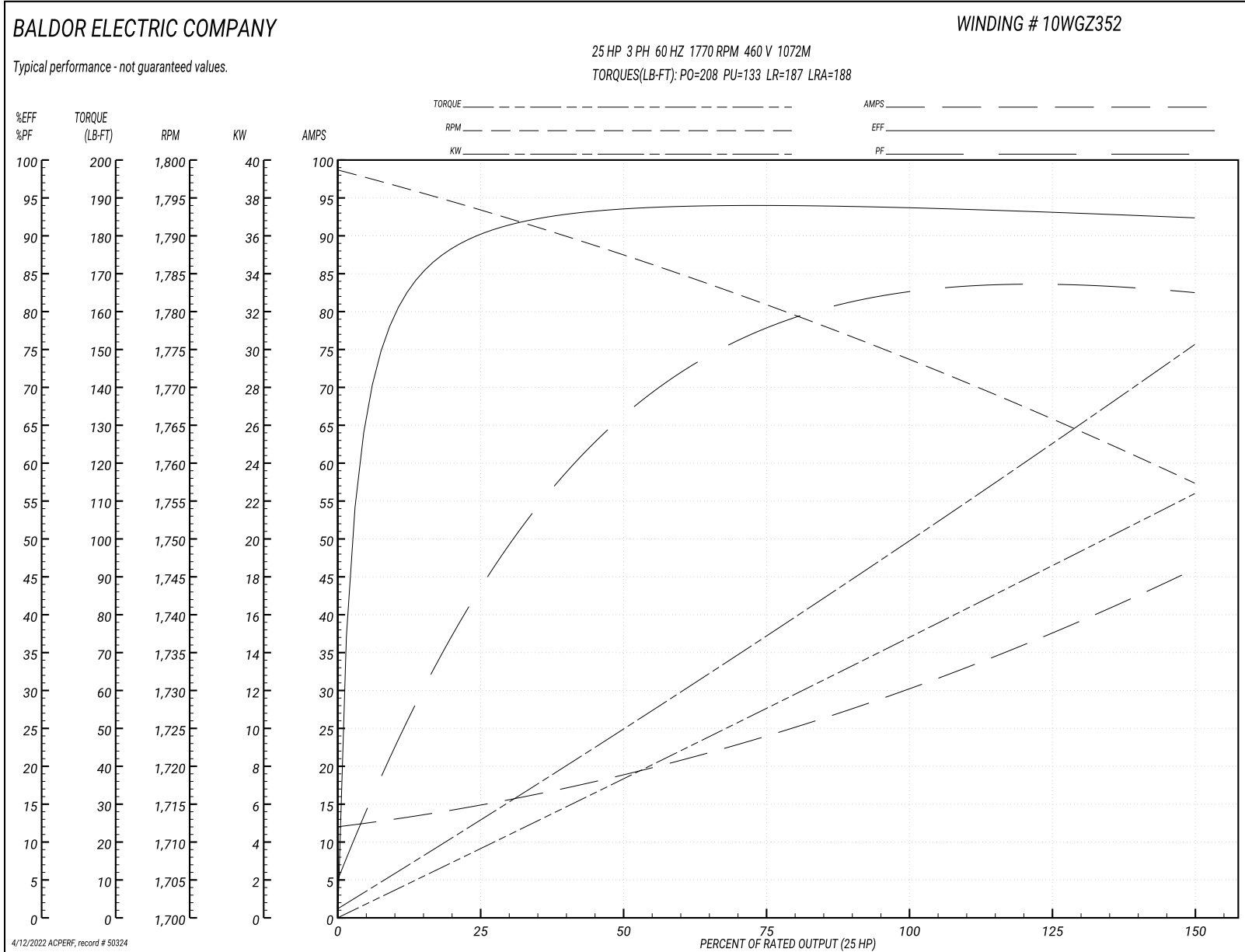
Typical performance - not guaranteed values

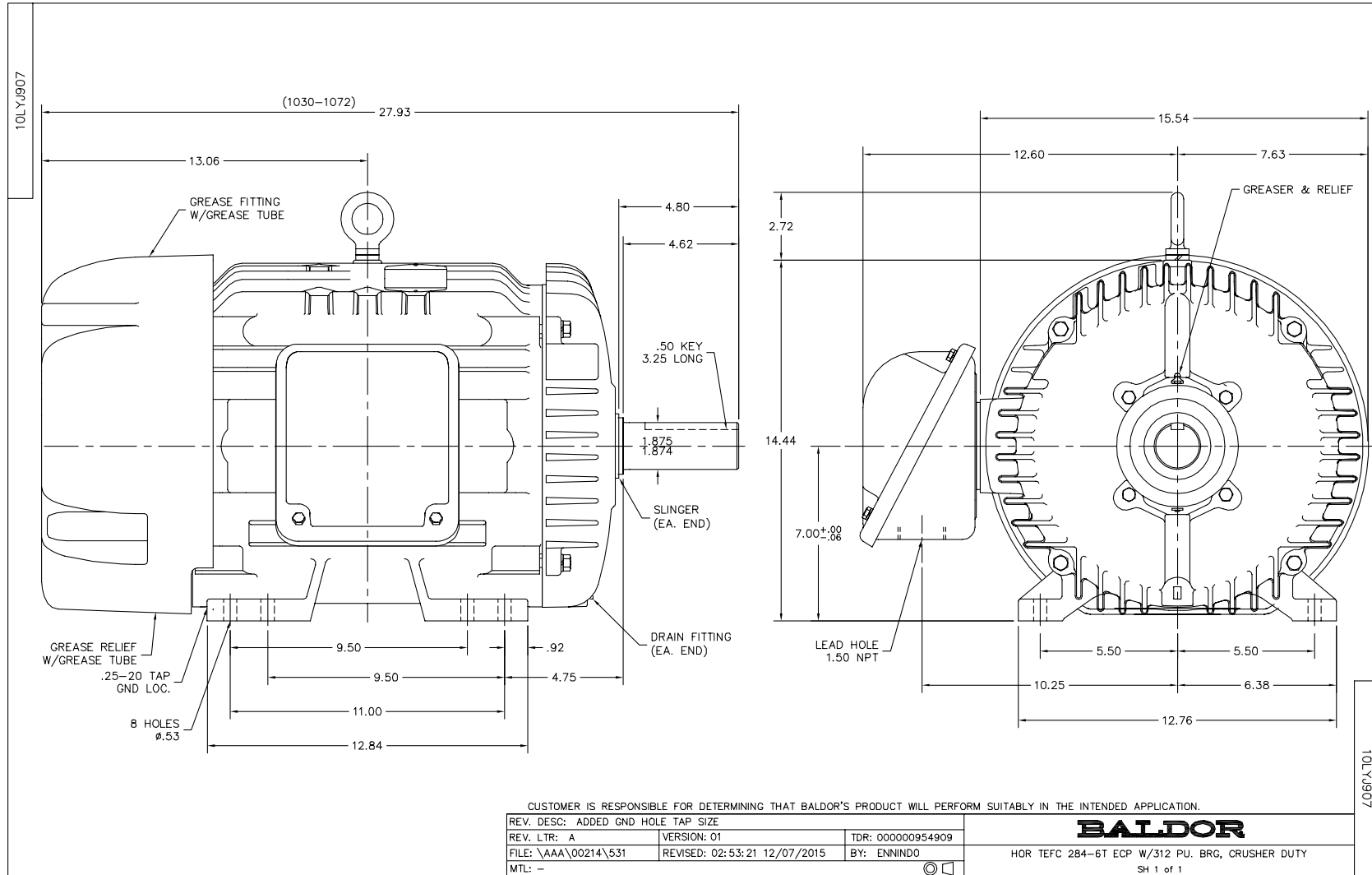
| Winding: 10WGZ352-R001 | | Type: 1072M | Enclosure: TEFC |
|------------------------|-------------------|--|-----------------|
| Nameplate Data | | 460 V, 60 Hz: High Voltage Connection | |
| Rated Output (HP) | 25 | Full Load Torque | 73.8 LB-FT |
| Volts | 230/460 | Start Configuration | direct on line |
| Full Load Amps | 62/31 | Breakdown Torque | 208 LB-FT |
| R.P.M. | 1770 | Pull-up Torque | 133 LB-FT |
| Hz | 60 Phase | Locked-rotor Torque | 187 LB-FT |
| NEMA Design Code | A KVA Code | Starting Current | 188 A |
| Service Factor (S.F.) | 1.25 | No-load Current | 12.5 A |
| NEMA Nom. Eff. | 93.6 Power Factor | Line-line Res. @ 25°C | 0.26065 Ω |
| Rating - Duty | 40C AMB-CONT | Temp. Rise @ Rated Load | 51°C |
| S.F. Amps | 76/38 | Temp. Rise @ S.F. Load | 70°C |
| | | Locked-rotor Power Factor | 34.7 |

Load Characteristics 460 V, 60 Hz, 25 HP

| % of Rated Load | 25 | 50 | 75 | 100 | 125 | 150 | S.F. |
|-----------------|--------|--------|--------|--------|--------|--------|------|
| Power Factor | 45 | 67 | 77 | 81 | 83 | 83 | 83 |
| Efficiency | 90 | 93.5 | 94.1 | 93.8 | 93.2 | 92.3 | 93.2 |
| Speed | 1793.1 | 1787.4 | 1781.1 | 1773.7 | 1766.2 | 1757.2 | 1766 |
| Line amperes | 14.3 | 18.5 | 24.1 | 30.6 | 37.7 | 45.7 | 37.7 |

Performance Graph at 460V, 60Hz, 25.0HP Typical performance - Not guaranteed values

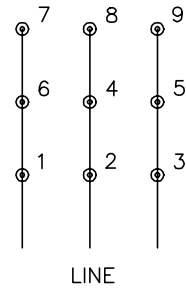




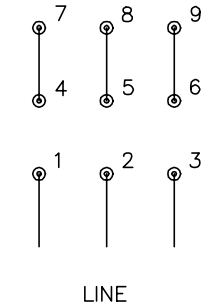
CD0180



LOW VOLTAGE
(2D)



HIGH VOLTAGE
(1D)



NOTES:

1. INTERCHANGE ANY TWO LINE LEADS TO REVERSE ROTATION.
2. OPTIONAL THERMOSTATS ARE PROVIDED WHEN SPECIFIED.
3. ACTUAL NUMBER OF INTERNAL PARALLEL CIRCUITS MAY BE A MULTIPLE OF THOSE SHOWN ABOVE.
4. LEAD COLORS ARE OPTIONAL. LEADS MUST ALWAYS BE NUMBERED AS SHOWN.

CD0180

| | | |
|-----------------------------------|------------------------------|-------------------|
| REV. DESC: ADD CLASS CONN00000007 | | |
| REV. LTR: D | VERSION: 01 | TDR: 000001099922 |
| FILE: \AAA\00005\148 | REVISED: 10:25:29 02/19/2019 | BY: ENBRIRO |
| MTL: - | © □ | |

BALDOR - RELIANCE®

3PH, DV, 9 LEADS, DELTA CONNECTION

SH 1 of 1

Marketing maintained PDF of MN416:

<http://www.baldor.com/support/Literature/Load.ashx/MN416?ManNumber=MN416>