

BALDOR® • RELIANCE 

Product Information Packet

ECR9304T

30HP,1770RPM,3PH,60HZ,286T,1072M,TEFC,F1

Part Detail							
Revision:	N	Status:	PRD/A	Change #:		Proprietary:	No
Type:	AC	Elec. Spec:	10WGZ351	CD Diagram:	CD0180	Mfg Plant:	
Mech. Spec:	10J907	Layout:	10LYJ907	Poles:	04	Created Date:	01-08-2015
Base:	RG	Eff. Date:	01-05-2021	Leads:	9#10		

Specs			
Catalog Number:	ECR9304T	Heater Indicator:	No Heater
Enclosure:	TEFC	Insulation Class:	F
Frame:	286T	Inverter Code:	Inverter Duty
Frame Material:	Iron	KVA Code:	G
Output @ Frequency:	30.000 HP @ 60 HZ	Lifting Lugs:	Standard Lifting Lugs
Synchronous Speed @ Frequency:	1800 RPM @ 60 HZ	Locked Bearing Indicator:	Locked Bearing
Voltage @ Frequency:	460.0 V @ 60 HZ	Motor Lead Quantity/Wire Size:	9 @ 10 AWG
	230.0 V @ 60 HZ	Motor Lead Exit:	Ko Box
XP Class and Group:	None	Motor Lead Termination:	Flying Leads
XP Division:	Not Applicable	Motor Type:	1072M
Agency Approvals:	UR	Mounting Arrangement:	F1
	CSA EEV	Power Factor:	81
	CSA	Product Family:	Super-E Chemical Processing
Auxillary Box:	No Auxillary Box	Pulley End Bearing Type:	Ball
Auxillary Box Lead Termination:	None	Pulley Face Code:	Standard
Base Indicator:	Rigid	Pulley Shaft Indicator:	Standard
Bearing Grease Type:	Polyrex EM (-20F +300F)	Rodent Screen:	None
Blower:	None	Shaft Extension Location:	Pulley End

Constant Torque Speed Range:	6	Shaft Ground Indicator:	No Shaft Grounding
Current @ Voltage:	37.000 A @ 460.0 V	Shaft Rotation:	Reversible
	74.000 A @ 230.0 V	Shaft Slinger Indicator:	Shaft Slinger
Design Code:	A	Speed Code:	Single Speed
Drip Cover:	No Drip Cover	Motor Standards:	NEMA
Duty Rating:	CONT	Starting Method:	Direct on line
Electrically Isolated Bearing:	Not Electrically Isolated	Thermal Device - Bearing:	None
Feedback Device:	NO FEEDBACK	Thermal Device - Winding:	None
Front Face Code:	Standard	Vibration Sensor Indicator:	No Vibration Sensor
Front Shaft Indicator:	None	Winding Thermal 1:	None
		Winding Thermal 2:	None

Nameplate NP3293														
CAT.NO.	ECR9304T			P/N				ENCLOSURE	TEFC					
SPEC.	10J907Z351G1		CC	010A	FRAME	286T		S/N						
HP	30		CLASS	F	HZ	60		DES	A					
RPM	1770		RPM MAX	2700		PH	3		KVA-CODE	G				
VOLT	230/460			I.P.	55									
AMP	74/37			SER.F.	1.25		PF	81		ODE BRG	6311	DE BRG	6312	
RATING	40C AMB-CONT			NEMA-NOM-EFF	93.6		GREASE	POLYREX EM						
HTR-VOLTS			HTR-AMPS			HTR-WATTS			INV.TYPE					
	SFA 92/46			C HP FR	60		C HP TO	90		CT HZ TO	60		VT HZ TO	60
				CT HZ FROM	6		VT HZ FROM	6						
				MOTOR WEIGHT	465									

Parts List		
Part Number	Description	Quantity
SA292169	SA 10J907Z351G1	1.000 EA
RA278286	RA 10J907Z351G1	1.000 EA
09FN3001C02	EXTERNAL FAN, PLASTIC (COMES W/SCREW FRO	1.000 EA
10CB1000A09P	KOBX, MACH W/1.50 NPT & PRIMER	1.000 EA
09GS1010	GASKET, DWG, LEADWIRE SEPERATOR	1.000 EA
10XN3118K16	5/16-18 X 1' GRADE #5, STL, ZINC PLATE	4.000 EA
HW1001A31	LOCKWASHER 5/16, ZINC PLT.591 OD, .319 I	4.000 EA
WD1000B16	T&B CX70TN OR L70P TERMINAL LUG	1.000 EA
10XN2520K06	1/4-20 X 3/8" HX HD SCREWGRADE 5, ZINC P	1.000 EA
HW1001A25	LOCKWASHER 1/4, ZINC PLT .493 OD, .255 I	1.000 EA
10XN3816K28	3/8-16 X 1.75 HEX HD CAP SCREW, GRADE 5	4.000 EA
HW1001A38	LOCKWASHER 3/8, ZINC PLT .688 OD, .382 I	4.000 EA
HW4600B41	V-RING SLINGER 2.125 X 2.880 X 0.280	1.000 EA
HA4017A11	1/8 X 2.75 GREASE EXT (F/S)	1.000 EA
HA4017A02	.125X2.50 GREASER EXTENS.F/S	1.000 EA
HW4019A01	PIPE COUPLING 1/8 NPT,STEEL,ZINC COATING	1.000 EA
HW4600B67	V-RING SLINGER 1.770 X 2.170 X .28 VITON	1.000 EA
HW5100A13	W4627-047 WVY WSHER	1.000 EA
10XN3118K40	5/16-18 X 2.25" HEX HD, GRADE 5	4.000 EA
10XN3118K40	5/16-18 X 2.75" HEX HD, GRADE 5	4.000 EA
10EP1108A01P	PULLEY ENDPLATE - 312 BRG.- ENCL., EPOXY	1.000 EA
10XN3816K28	3/8-16 X 1.75 HEX HD CAP SCREW, GRADE 5	4.000 EA
HW1001A38	LOCKWASHER 3/8, ZINC PLT .688 OD, .382 I	4.000 EA
10FH1007A24P	FAN COVER, MACH W/EPOXY PRIMER	1.000 EA

Parts List (continued)		
Part Number	Description	Quantity
10XN3118K20	5/16-18 X 1 1/4 GRADE 5 STEEL ZC PLATED	3.000 EA
HW1001A31	LOCKWASHER 5/16, ZINC PLT.591 OD, .319 I	3.000 EA
10CB1503A01P	CONDUIT BOX LIPPED LID, MACH W/EPXY PRMR	1.000 EA
14GS1003	GASKET CONDUIT BOX LID, NEOP	1.000 EA
10XN2520K16	1/4-20 X 1" HX HD SCRW GRADE 5, ZINC P	4.000 EA
HW1001A25	LOCKWASHER 1/4, ZINC PLT .493 OD, .255 I	4.000 EA
HW2501H28	KEY, 1/2 SQ X 3.250	1.000 EA
MJ5001A27	32220KN GRAY SEALER *MIN BUY 4 QTS=1GAL	0.031 QT
MJ5002A01	SILICON RUBBER SEALANT, 732CL 10.3 OZ TU	0.026 EA
MJ5002A01	SILICON RUBBER SEALANT, 732CL 10.3 OZ TU	0.025 EA
LB1115N	LABEL,LIFTING DEVICE (ON ROLLS)	1.000 EA
10EP1110A06PP44	FREP, MACH W/PRIMER & MG1025G96	1.000 EA
HW4500A21	1618BALEMITE FITTING 825 UNIVERSAL	1.000 EA
HA4051A00	PLASTIC CAP FOR GREASE FITTING	1.000 EA
HW4500A17	317400 ALEMITE GREASE RELIEF	1.000 EA
HA4054	SHORT T-DRAIN FITTING, .125" N.P.T.	1.000 EA
MJ1000A02	GREASE, MOBIL POLYREX EM - 124047	0.130 LB
HW4500A17	317400 ALEMITE GREASE RELIEF	1.000 EA
HW4500A03	GREASE FITTING, .125 NPT 1610(ALEMITE) 8	1.000 EA
HA4051A00	PLASTIC CAP FOR GREASE FITTING	1.000 EA
HA4054	SHORT T-DRAIN FITTING, .125" N.P.T.	1.000 EA
HW2500A25	WOODRUFF KEY USA #1008 #BLOW CARBON STEE	1.000 EA
MG1025G96	WILKOFASST SG, 779.7048, MOUSE GRAY #7048	0.070 GA
85XU0407S04	4X1/4 U DRIVE PIN STAINLESS	2.000 EA

Product Information Packet: ECR9304T - 30HP,1770RPM,3PH,60HZ,286T,1072M,TEFC,F1

LB1002N	LABEL,MARINE DUTY (ON ROLLS)	1.000 EA
LB1119N	WARNING LABEL	1.000 EA
LC0181	CONNECTION LABEL	1.000 EA
NP3293	SS CRUSHER DUTY INV UL CSA-EEV PREM CC	1.000 EA
10PA1000	PACKAGING GROUP COMBINED PRINT PK1023A06	1.000 EA
MN416A01	TAG-INSTAL-MAINT no wire (2100/bx) 4/22	1.000 EA

AC Induction Motor Performance Data

Record # 49559

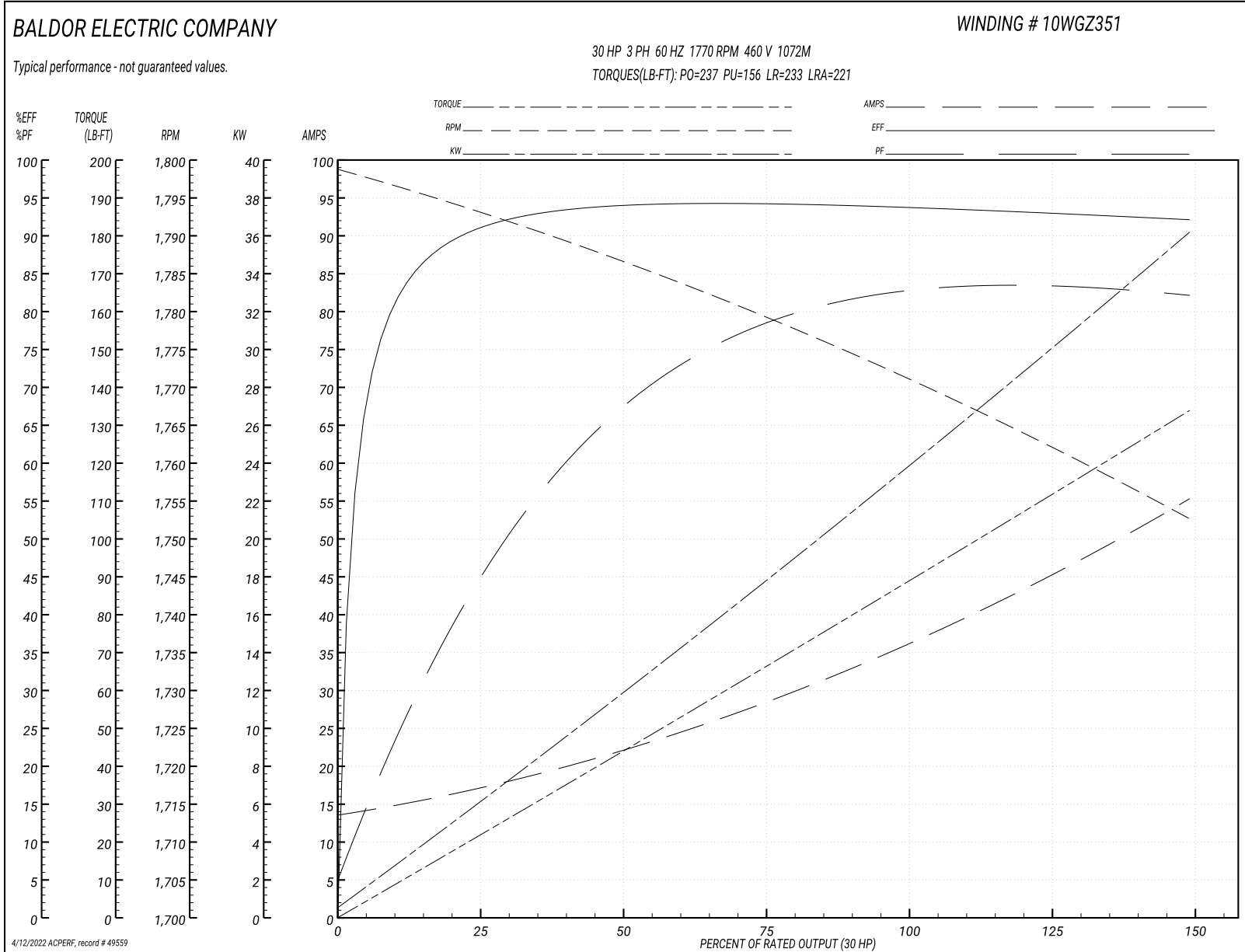
Typical performance - not guaranteed values

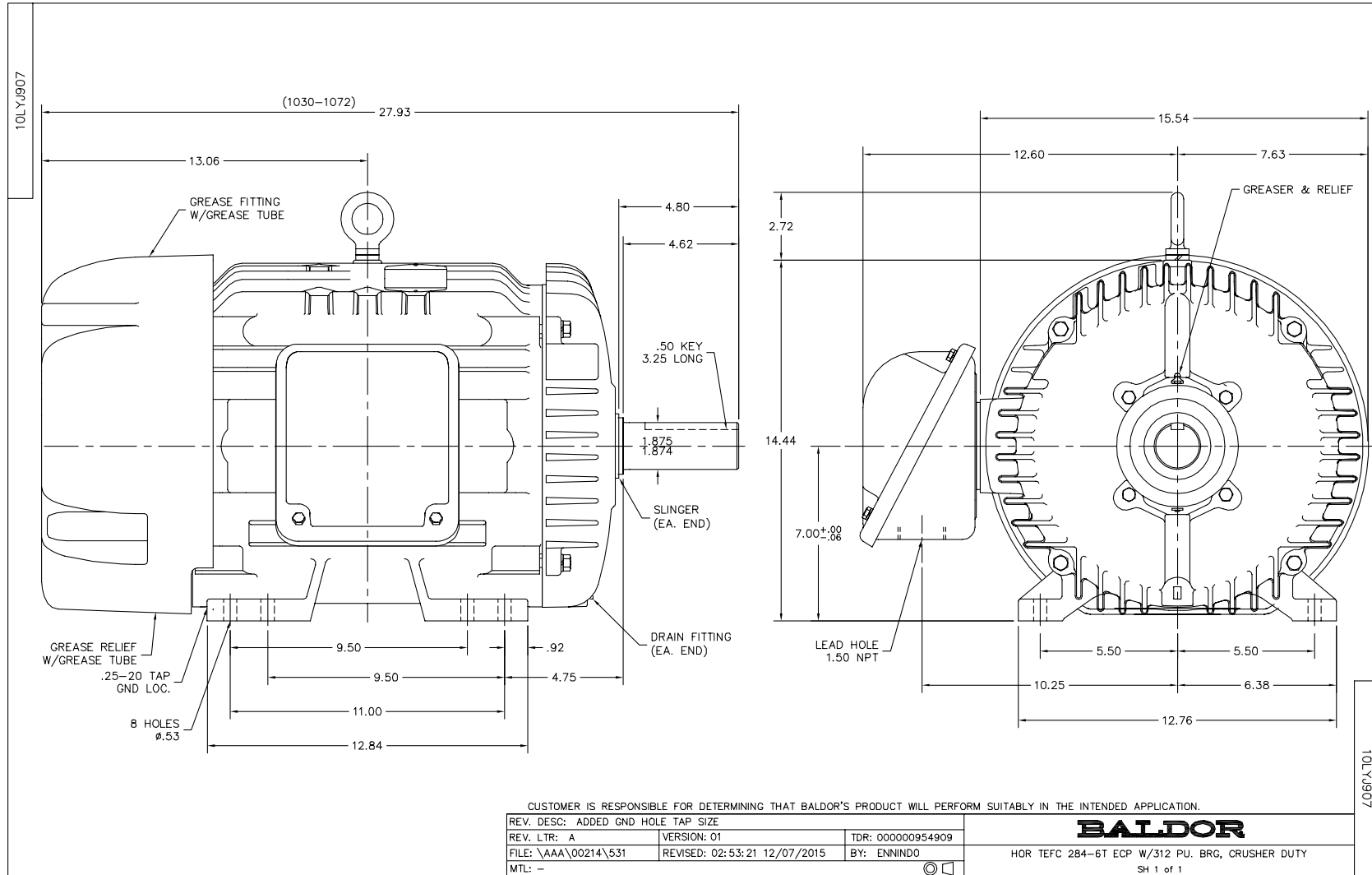
Winding: 10WGZ351-R001		Type: 1072M		Enclosure: TEFC	
Nameplate Data			460 V, 60 Hz: High Voltage Connection		
Rated Output (HP)	30	Full Load Torque	89.2 LB-FT		
Volts	230/460	Start Configuration	direct on line		
Full Load Amps	74/37	Breakdown Torque	237 LB-FT		
R.P.M.	1770	Pull-up Torque	156 LB-FT		
Hz	60 Phase	3	Locked-rotor Torque	233 LB-FT	
NEMA Design Code	A KVA Code	G	Starting Current	221 A	
Service Factor (S.F.)	1.25	No-load Current	14.1 A		
NEMA Nom. Eff.	93.6 Power Factor	81	Line-line Res. @ 25°C	0.219 Ω	
Rating - Duty	40C AMB-CONT	Temp. Rise @ Rated Load	63°C		
S.F. Amps	92/46	Temp. Rise @ S.F. Load	87°C		
		Locked-rotor Power Factor	34.6		
		Rotor inertia	5.69 lb-ft ²		

Load Characteristics 460 V, 60 Hz, 30 HP

% of Rated Load	25	50	75	100	125	150	S.F.
Power Factor	48	69	78	81	83	83	83
Efficiency	90.8	93.8	94.3	93.9	93.3	92.2	93.3
Speed	1793	1786	1779	1771	1763	1752	1763
Line amperes	16.5	21.9	28.7	36.9	45.5	55	45.5

Performance Graph at 460V, 60Hz, 30.0HP Typical performance - Not guaranteed values





CD0180



LOW VOLTAGE
(2D)



HIGH VOLTAGE
(1D)



NOTES:

1. INTERCHANGE ANY TWO LINE LEADS TO REVERSE ROTATION.
2. OPTIONAL THERMOSTATS ARE PROVIDED WHEN SPECIFIED.
3. ACTUAL NUMBER OF INTERNAL PARALLEL CIRCUITS MAY BE A MULTIPLE OF THOSE SHOWN ABOVE.
4. LEAD COLORS ARE OPTIONAL. LEADS MUST ALWAYS BE NUMBERED AS SHOWN.

CD0180

REV. DESC: ADD CLASS CONN00000007		
REV. LTR: D	VERSION: 01	TDR: 000001099922
FILE: \AAA\00005\148	REVISED: 10:25:29 02/19/2019	BY: ENBRIRO
MTL: -	© □	

BALDOR - RELIANCE®

3PH, DV, 9 LEADS, DELTA CONNECTION

SH 1 of 1

Marketing maintained PDF of MN416:

<http://www.baldor.com/support/Literature/Load.ashx/MN416?ManNumber=MN416>