

BALDOR • RELIANCE

Customer information packet

ECR94004T-4

400HP, 1800RPM, 3PH, 60HZ, L449T, TEFC

Class - None

Division - Not Applicable

Specifications

| | |
|-------------------------------|-------------------------|
| Enclosure | TEFC |
| Frame | 449T |
| Frame Material | Iron |
| Frequency | 60.00 Hz |
| Motor Letter Type | Three Phase |
| Output @ Frequency | 400.000 HP @ 60 HZ |
| Phase | 3 |
| Synchronous Speed @ Frequency | 1800 RPM @ 60 HZ |
| Voltage @ Frequency | 460.0 V @ 60 HZ |
| XP Class and Group | None |
| XP Division | Not Applicable |
| Agency Approvals | CSA EEV |
| Ambient Temperature | 40 °C |
| Auxillary Box | No Auxillary Box |
| Base Indicator | Rigid |
| Bearing Grease Type | Polyrex EM (-20F +300F) |
| Constant Torque Speed Range | 30-60 |
| Current @ Voltage | 442.000 A @ 460.0 V |
| Design Code | A |
| Drip Cover | No Drip Cover |
| Duty Rating | CONT |
| Efficiency @ 100% Load | 96.2 % |
| Feedback Device | NO FEEDBACK |
| Heater Indicator | No Heater |
| High Voltage Full Load Amps | 442.0 a |
| Insulation Class | F |
| Inverter Code | Inverter Ready |
| KVA Code | H |
| Lifting Lugs | No Lifting Lugs |
| Max Speed | 3000 rpm |
| Motor Lead Quantity/Wire Size | 12 @ 1 AWG |
| Motor Standards | NEMA |

Part detail

| | |
|--------------|--------------------|
| Revision | J |
| Type | AC |
| Mech. spec. | |
| Base | |
| Status | PRD/A |
| Elec. spec. | A44WG5274 |
| Layout | 617423-218 |
| Eff. date | 04-20-2021 |
| CD Diagram | 416820-036 |
| Poles | 04 |
| Leads | 3#1 (04 per group) |
| Proprietary | False |
| Created date | 08-28-2015 |

| | |
|---------------------------------|--------------------|
| Motor Type | A44192M |
| Mounting Arrangement | F1 |
| Number of Poles | 4 |
| Overall Length | 53.24 IN |
| Power Factor | 88 |
| Product Family | Crusher / Chipper |
| Pulley End Bearing Type | Ball |
| Pulley Face Code | Standard |
| Service Factor | 1.15 |
| Shaft Ground Indicator | No Shaft Grounding |
| Shaft Rotation | Reversible |
| Shaft Slinger Indicator | Shaft Slinger |
| Speed | 1785 rpm |
| Speed Code | Single Speed |
| Starting Method | Direct on line |
| Thermal Device - Bearing | None |
| Thermal Device - Winding | None |

Nameplate

000613007PV

| | | | | | | | | | |
|----------------------|-------------|------------------------|---------------------|----------------------------|------|---------------|------|--------------------|------|
| CAT NO | ECR94004T-4 | SPEC NO. | P44G1831 | | | | | | |
| HP | 400 | AMPS | 442 | VOLTS | 460 | DESIGN | A | | |
| RPM | 1785 | RPM MAX | 3000 | HZ | 60 | AMB | 40 | SF | 1.15 |
| D.E. BRG.DATA | 6318 | O.D.E. BRG.DATA | 6318 | PH | 3 | DUTY | CONT | INSUL.CLASS | F |
| FRAME | L449T | I.P. | 55 | TYPE | P | ENCL | TEFC | CODE | H |
| POWER FACTOR | 88 | 3/4 LOAD EFF. | 96.2 | NEMA NOM EFFICIENCY | 96.2 | | | | |
| CHP HZ | 60-90 | CT HZ | 30-60 | VT HZ | 6-60 | | | | |
| SER.NO. | | | MOTOR WEIGHT | | | | | | |

NP2496L

MOBIL POLYREX EM

Parts list

| Part number | Description | Quantity |
|-------------|---|----------|
| SA306609 | SA P44G1831 | 1.000 ea |
| RA293859 | RA P44G1831 | 1.000 ea |
| 000613007PV | SS NP, CRUSHER DUTY, EMBOSSSED,MAIN MOTOR | 1.000 ea |
| 000692000FF | N/P | 1.000 ea |
| 000692000VD | LABEL WARNING | 1.000 ea |
| 004824015A | GREASE POLYREX EM | 1.156 lb |
| 032018008CK | HHCS 3/8-16X1L PLATED | 4.000 ea |
| 032018020FK | HHCS 3/4-10X2-1/2 PLTD. | 4.000 ea |
| 032018030DK | HHCS 1/2-13X3-3/4 PLTD. | 3.000 ea |
| 032620016LA | SOCKET SET SCREW-449 | 3.000 ea |
| 032018030DK | HHCS 1/2-13X3-3/4 PLTD. | 3.000 ea |
| 034017014AB | LCKW 3/8 STD. PLATED | 4.000 ea |
| 034180014DA | KEY 1/4X1/4X1-3/4 L | 1.000 ea |
| 034530072AB | P/NIP 1/8X9"L Threaded both ends | 1.000 ea |
| 034530072BB | PIPE NIPPLE,DE - 440-BS | 1.000 ea |
| 034631002AB | BUSH 1/4 TO 1/8 PLTD. | 1.000 ea |
| 035000001G | GREASE RELIEF FITTING, ALEMITE 317400 | 1.000 ea |
| 034690005AB | PPLG 3/4 PLATED | 2.000 ea |
| 702618004T | FAN KB 182/70 (112) 440 | 1.000 ea |
| 083199082A | G28 FAN COVER MACHINING SHORT VERSION | 1.000 ea |
| 089490099A | G28 BRKT 089490098WCA KB | 1.000 ea |
| 410700004A | WSHR | 1.000 ea |
| 415045002A | SLGR | 1.000 ea |
| 415072001B | CLAMP | 1.000 ea |
| 415096002A | CPLG 1/8 HEX TYPE | 1.000 ea |
| 032018004BK | HHCS 5/16-18X1/2 PLATED | 3.000 ea |
| 032018006BK | HHCS 5/16-18X3/4 PLATED | 3.000 ea |
| 032018020FK | HHCS 3/4-10X2-1/2 PLTD. | 4.000 ea |
| 034017013AB | LCKW 5/16 STD. PLATED | 3.000 ea |
| 034017013AB | LCKW 5/16 STD. PLATED | 3.000 ea |
| 034530072AB | P/NIP 1/8X9"L Threaded both ends | 1.000 ea |

| | | |
|-------------|---|----------|
| 034530072BB | PIPE NIPPLE,DE - 440-BS | 1.000 ea |
| 034631002AB | BUSH 1/4 TO 1/8 PLTD. | 1.000 ea |
| 035000001G | GREASE RELIEF FITTING, ALEMITE 317400 | 1.000 ea |
| 089490099A | G28 BRKT 089490098WCA KB | 1.000 ea |
| 415915007G | GASK, LAC | 1.000 ft |
| 415045002A | SLGR | 1.000 ea |
| 415096002A | CPLG 1/8 HEX TYPE | 1.000 ea |
| 418151014G | RETAIN RING | 1.000 ea |
| 702623022A | G28 AIR DEFLECTOR DRIVE END -- PLASTIC | 1.000 ea |
| 702623013A | THERMAL BARRIER -- G28 -- BRACKET MTD | 1.000 ea |
| 032018008BK | HHCS 5/16-18X1L PLATED | 4.000 ea |
| 032018008DK | HHCS 1/2-13X1 PLATED | 4.000 ea |
| 032018005DL | 1/2-13 X 5/8 SILICON BRONZE HHCS | 1.000 ea |
| 035000001A | ALFTG 1/8" 1610-BL | 1.000 ea |
| 035000001A | ALFTG 1/8" 1610-BL | 1.000 ea |
| 067053014A | GASK 440 | 1.000 ea |
| 076870000BA | CONDUIT BOX - 440 - 1/2-13 GROUND | 1.000 ea |
| 076871000A | +CBOX CVR BLKT - 449 | 1.000 ea |
| 406056007A | GASKET, 440 | 1.000 ea |
| 406099000A | PLUG - FAN COVER 320-440 | 1.000 ea |
| 415000115H | T/LUG #2AWG-4/0AWG | 1.000 ea |
| 418150003A | GREASE FITTING CAP | 1.000 ea |
| 418150003A | GREASE FITTING CAP | 1.000 ea |
| 033775004EA | DRSCR #6-1/4 304 S.S. | 2.000 ea |
| 034180054KA | 7/8 SQ X 6.75 KEY | 1.000 ea |
| MG1025G96 | WILKOFASST SG, 779.7048, MOUSE GRAY #7048 | 0.500 ga |
| 421948051 | LABEL, MYLAR | 1.000 ea |
| PK5005A01 | WOOD BASE 449 60 X 41-1/2 BLT 25 X 18 | 1.000 ea |
| 000613006PU | N/P (RELEASE QTY 10,000) UL CSA LABEL | 1.000 ea |
| NP2496L | MOTOR LUBE NAMEPLATE | 1.000 ea |
| 032130014DB | HSHCS1/2-13X1-3/4 PLATE | 4.000 ea |
| 415030115A | G28 C/BOX 415030114WCA | 1.000 ea |
| 415039027A | GASKET, G28 LEAD THROAT | 1.000 ea |
| 034000016AB | WSHR .531ID 1.062OD .095 | 4.000 ea |

412118006A

DRAIN

2.000 ea

617423-218

DUTY MASTER ALTERNATING CURRENT MOTORS

SQUIRREL-CAGE INDUCTION

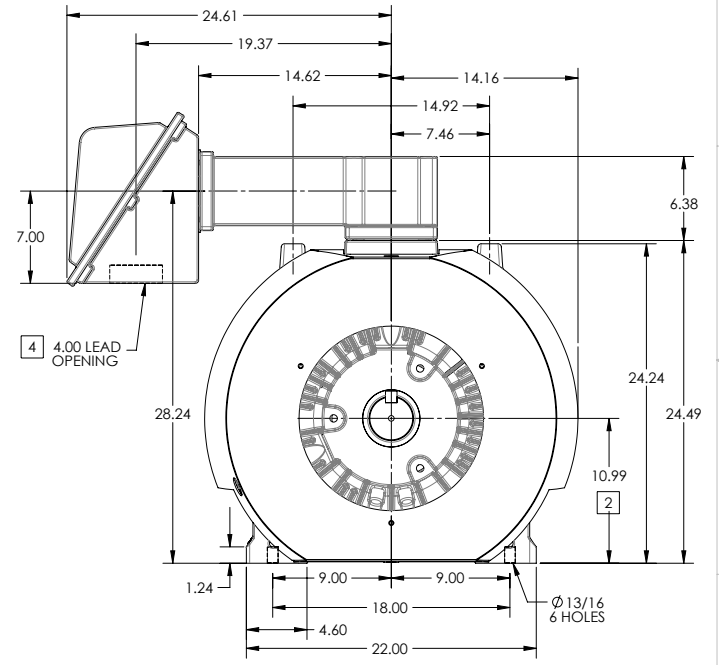
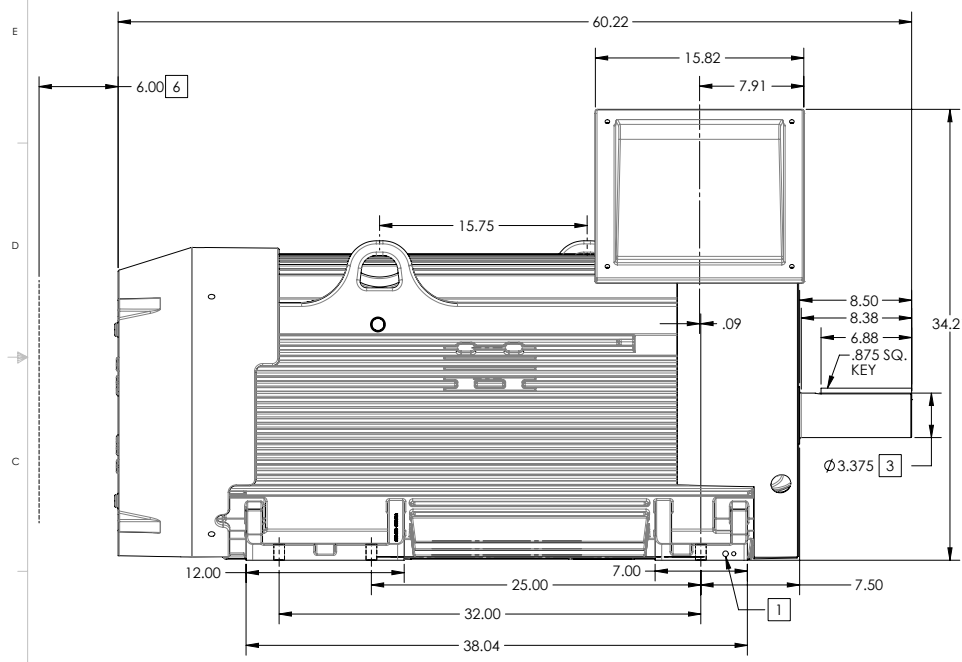
ENCLOSURE: TOTALLY ENCLOSED

FRAME GL449T ABOVE NEMA RATINGS

COOLING: FAN COOLED

MOUNTING: FOOT

INCLUDES G449T FRAME MOUNTING HOLES



- 1. GROUND HOLES QTY 1 1/2-13 TAP; QTY 1 3/8-16 TAP
- 2. VARIES +.00,-.06
- 3. VARIES +.00,-.001
- 4. ON STANDARD MOTORS THIS IS CONDUIT SIZE. ON XT AND CORROSION PROOF MOTOR THIS IS PIPE TAP.
- 5. MOTOR WEIGHTS MAY VARY BY 15% DEPENDING ON RATING.
- 6. OBSTRUCTION MUST NO ENCROACH ON AIR INLET

CONDUIT BOX LOCATED ON OPPOSITE SIDE WHEN F-2.
IF MOUNTING CLEARANCE DETAILS ARE REQUIRED, CONSULT FACTORY.
MAXIMUM PERMISSIBLE SHAFT RUNOUT WHEN MEASURED AT END OF STANDARD SHAFT EXTENSION IS .003" T.I.R. TO 5 INCH DIA.

WEIGHT (LBS): 3875

DRIVE END AIR DEFLECTOR IS ONLY INCLUDED WHEN NECESSARY.

DIMENSIONS ARE IN INCHES; SEE SHEET 2 FOR DIMENSIONS IN MILLIMETERS

CUSTOMER IS RESPONSIBLE FOR DETERMINING THAT MOTOR PERFORMANCE IS SUITABLE IN THE APPLICATION.

| | | | |
|----------------------|-------------|------------------------------|------------------|
| REV. DESC: NEW ISSUE | | | |
| REV: - | VERSION: 00 | REVISED: 09-28-57 02/11/2015 | TDR: 00000884510 |
| MODEL NO. 617423-218 | | REF: | |
| BY: RAGGDM | Material: | C | |

BALDOR

G28 DIMENSION SHEET ASSEMBLY: GL449449T BA-7.50

617423-218

617423-218

DUTY MASTER ALTERNATING CURRENT MOTORS

SQUIRREL-CAGE INDUCTION

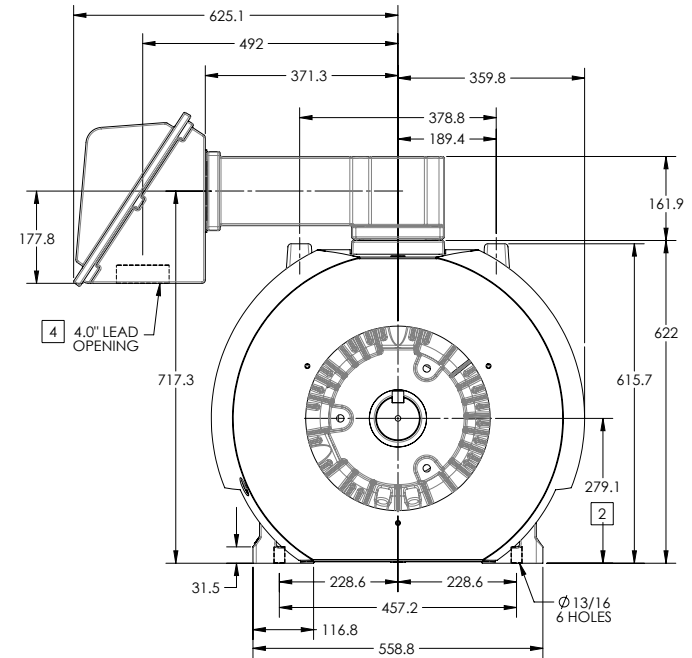
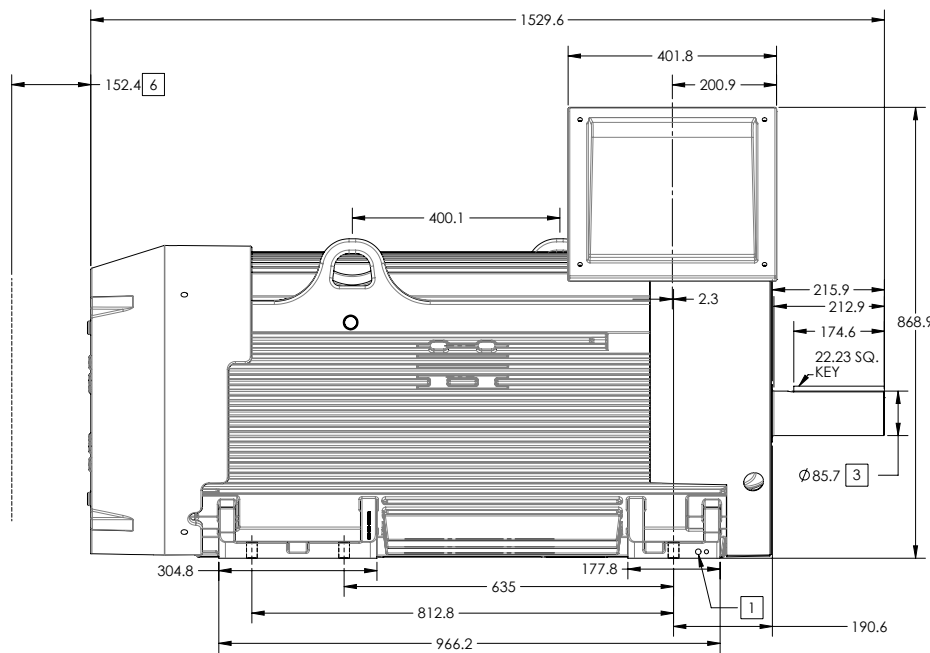
ENCLOSURE: TOTALLY ENCLOSED

FRAME GL449T ABOVE NEMA RATINGS

COOLING: FAN COOLED

MOUNTING: FOOT

INCLUDES G449T FRAME MOUNTING HOLES



- 1. GROUND HOLES QTY 1 1/2-13 TAP; QTY 1 3/8-16 TAP
- 2. VARIES +.00,-.06
- 3. VARIES +.00,-.001
- 4. ON STANDARD MOTORS THIS IS CONDUIT SIZE. ON XT AND CORROSION PROOF MOTOR THIS IS PIPE TAP.
- 5. MOTOR WEIGHTS MAY VARY BY 15% DEPENDING ON RATING.
- 6. OBSTRUCTION MUST NO ENCROACH ON AIR INLET

CONDUIT BOX LOCATED ON OPPOSITE SIDE WHEN F-2.
IF MOUNTING CLEARANCE DETAILS ARE REQUIRED, CONSULT FACTORY.
MAXIMUM PERMISSIBLE SHAFT RUNOUT WHEN MEASURED AT END OF STANDARD SHAFT EXTENSION IS .08 MM T.I.R. TO 127 MM DIA.

WEIGHT (KGS): 1760

DRIVE END AIR DEFLECTOR IS ONLY INCLUDED WHEN NECESSARY.

DIMENSIONS ARE IN MILLIMETERS; SEE SHEET 1 FOR DIMENSIONS IN INCHES

CUSTOMER IS RESPONSIBLE FOR DETERMINING THAT MOTOR PERFORMANCE IS SUITABLE IN THE APPLICATION.

| | | | |
|----------------------|-------------|------------------------------|------------------|
| REV. DESC: NEW ISSUE | VERSION: 00 | REVISED: 09-28-57 02/11/2015 | TDR: 00000884510 |
| MODEL NO. 617423-218 | REF: | | |
| BY: RAGGDM | Material: | | |

BALDOR

G28 DIMENSION SHEET ASSEMBLY: GL449449T BA-7.50

617423-218

617423-218

416820-036

A-C MOTOR
CONNECTION DIAGRAM
STANDARD 3 LEAD CONNECTED



(N.P. 1575-BA)

416820-036

| | | |
|--------------------------------------|------------------------------|-------------------|
| REV. DESC: LOADED TO BUS, C/R 335225 | | |
| REV. LTR: - | VERSION: 00 | TDR: 000000538207 |
| FILE: \MGA\00000\682 | REVISED: 11:54:06 04/30/2010 | |
| MTL: - | BY: RAGRA | |

BALDOR

CONN DIAG - STANDARD 3 LEAD
SH 1 of 1