

**BALDOR® • RELIANCE™**

---

# Customer information packet

## ECR9608TR

60HP, 900RPM, 3PH, 60HZ, 405T, TEFC

Class - None

Division - Not Applicable

## Specifications

|                               |   |
|-------------------------------|---|
| Enclosure                     | TEFC                                      |
| Frame                         | 405T                                      |
| Frame Material                | Iron                                      |
| Frequency                     | 60.00 Hz                                  |
| Motor Letter Type             | Three Phase                               |
| Output @ Frequency            | 60.000 HP @ 60 HZ                         |
| Phase                         | 3   |
| Synchronous Speed @ Frequency | 900 RPM @ 60 HZ                           |
| Voltage @ Frequency           | 230.0 V @ 60 HZ<br>460.0 V @ 60 HZ        |
| XP Class and Group            | None                                      |
| XP Division                   | Not Applicable                            |
| Agency Approvals              | CSA EEV                                   |
| Ambient Temperature           | 40 °C                                     |
| Auxillary Box                 | No Auxillary Box                          |
| Base Indicator                | Rigid                                     |
| Bearing Grease Type           | Mobil SHC 220 (Athens Only)               |
| Constant Torque Speed Range   | 10-60                                     |
| Current @ Voltage             | 186.000 A @ 230.0 V<br>93.200 A @ 460.0 V |
| Design Code                   | A   |
| Drip Cover                    | No Drip Cover                             |
| Duty Rating                   | CONT                                      |
| Efficiency @ 100% Load        | 92.4 %                                    |
| Feedback Device               | NO FEEDBACK                               |
| Heater Indicator              | No Heater                                 |
| High Voltage Full Load Amps   | 93.2 a                                    |
| Insulation Class              | F   |
| Inverter Code                 | Inverter Ready                            |
| KVA Code                      | H   |
| Lifting Lugs                  | Standard Lifting Lugs                     |
| Max Speed                     | 3000 rpm                                  |

## Part detail

|              |            |
|--------------|------------|
| Revision     | G          |
| Type         | AC         |
| Mech. spec.  |            |
| Base         |            |
| Status       | PRD/A      |
| Elec. spec.  | A40WG5134  |
| Layout       | 617429-501 |
| Eff. date    | 03-16-2021 |
| CD Diagram   | 416820-002 |
| Poles        | 08         |
| Leads        | 3#4,6#6    |
| Proprietary  | False      |
| Created date | 05-07-2015 |

|                                      |                    |
|--------------------------------------|--------------------|
| <b>Motor Lead Quantity/Wire Size</b> | 3 @ 4 AWG          |
| <b>Motor Standards</b>               | NEMA               |
| <b>Motor Type</b>                    | A4064M             |
| <b>Mounting Arrangement</b>          | F1                 |
| <b>Number of Poles</b>               | 8                  |
| <b>Overall Length</b>                | 38.20 IN           |
| <b>Power Factor</b>                  | 65                 |
| <b>Product Family</b>                | Crusher / Chipper  |
| <b>Pulley End Bearing Type</b>       | Roller             |
| <b>Pulley Face Code</b>              | Standard           |
| <b>Service Factor</b>                | 1.25               |
| <b>Shaft Ground Indicator</b>        | No Shaft Grounding |
| <b>Shaft Rotation</b>                | Reversible         |
| <b>Shaft Slinger Indicator</b>       | Shaft Slinger      |
| <b>Speed</b>                         | 885 rpm            |
| <b>Speed Code</b>                    | Single Speed       |
| <b>Starting Method</b>               | Direct on line     |
| <b>Thermal Device - Bearing</b>      | None               |
| <b>Thermal Device - Winding</b>      | None               |

**Nameplate**

**000613007PV**

|                      |                     |                        |          |              |                            |               |             |             |                    |   |
|----------------------|---------------------|------------------------|----------|--------------|----------------------------|---------------|-------------|-------------|--------------------|---|
| <b>CAT NO</b>        | ECR9608TR           | <b>SPEC NO.</b>        | P40G1707 |              |                            |               |             |             |                    |   |
| <b>HP</b>            | 60                  | <b>AMPS</b>            | 186/93.2 | <b>VOLTS</b> | 230/460                    | <b>DESIGN</b> | A           |             |                    |   |
| <b>RPM</b>           | 885                 | <b>RPM MAX</b>         | 3000     | <b>HZ</b>    | 60                         | <b>AMB</b>    | 40          | <b>SF</b>   | 1.25               |   |
| <b>D.E. BRG.DATA</b> | NU316               | <b>O.D.E. BRG.DATA</b> | 6316     |              | <b>PH</b>                  | 3             | <b>DUTY</b> | CONT        | <b>INSUL.CLASS</b> | F |
| <b>FRAME</b>         | 405T                | <b>I.P.</b>            | 55       | <b>TYPE</b>  | P                          | <b>ENCL</b>   | TEFC        | <b>CODE</b> | H                  |   |
| <b>POWER FACTOR</b>  | 65                  | <b>3/4 LOAD EFF.</b>   | 92.4     |              | <b>NEMA NOM EFFICIENCY</b> | 92.4          |             |             |                    |   |
| <b>CHP HZ</b>        | 60-90               | <b>CT HZ</b>           | 10-60    | <b>VT HZ</b> | 6-60                       |               |             |             |                    |   |
| <b>SER.NO.</b>       | <b>MOTOR WEIGHT</b> |                        | 1420     |              |                            |               |             |             |                    |   |
| 1.25SF AMPS= 218/109 |                     |                        |          |              |                            |               |             |             |                    |   |

---

**NP2496L**

---

MOBIL SHC -220 GREASE

---

## Parts list

| Part number | Description                               | Quantity |
|-------------|---|----------|
| SA303011    | SA P40G1707                               | 1.000 ea |
| RA290118    | RA P40G1707                               | 1.000 ea |
| 000613007PV | SS NP, CRUSHER DUTY, EMBOSSSED,MAIN MOTOR | 1.000 ea |
| 000692000RT | N/P                                       | 1.000 ea |
| 000692000FF | N/P                                       | 1.000 ea |
| 000692000VD | LABEL WARNING                             | 1.000 ea |
| NP2496L     | MOTOR LUBE NAMEPLATE                      | 1.000 ea |
| 004824015AP | GREASE MOBILITH SHC 220                   | 0.884 lb |
| 032018008CK | HHCS 3/8-16X1L PLATED                     | 4.000 ea |
| 032018020EK | HHCS 5/8-11X2-1/2 PLTD.                   | 4.000 ea |
| 032018024CK | HHCS 3/8-16X3 PLTD.                       | 3.000 ea |
| 034000014AB | WSH ID.406 OD.812 TH.065                  | 4.000 ea |
| 034180012DA | KEY 1X4X1/4X1-1/2 L                       | 1.000 ea |
| 034530052AB | P/NIP 1/8X6-1/2 Zinc                      | 1.000 ea |
| 034530056BB | P/NIP 1/4X7 SCHED 40                      | 1.000 ea |
| 034692005AA | P PLUG 3/4"BLK.                           | 1.000 ea |
| 034631002AB | BUSH 1/4 TO 1/8 PLTD.                     | 1.000 ea |
| 047174001AS | EXT SNAP RING(400)                        | 1.000 ea |
| 702618011RN | FAN 440 702618004T - 2.00 BORE 17.5 DIA   | 1.000 ea |
| 083198101A  | G400 STD FAN COVER MACHINING              | 1.000 ea |
| 089412501A  | BRKT FTMT G400 FIN MACH 6316 89412500WCA  | 1.000 ea |
| 415045002B  | SLGR                                      | 1.000 ea |
| 415072001B  | CLAMP                                     | 1.000 ea |
| 415096002A  | CPLG 1/8 HEX TYPE                         | 1.000 ea |
| 032018020EK | HHCS 5/8-11X2-1/2 PLTD.                   | 4.000 ea |
| 032018024CK | HHCS 3/8-16X3 PLTD.                       | 3.000 ea |
| 034530040AB | P/NIP 1/8X5 GALV.                         | 1.000 ea |
| 034530040BB | P/NIP 1/4X5                               | 1.000 ea |
| 034631002AB | BUSH 1/4 TO 1/8 PLTD.                     | 1.000 ea |
| 089412501A  | BRKT FTMT G400 FIN MACH 6316 89412500WCA  | 1.000 ea |
| 415096002A  | CPLG 1/8 HEX TYPE                         | 1.000 ea |

|             |   |          |
|-------------|---|----------|
| 415045002B  | SLGR                                      | 1.000 ea |
| 032018010CK | HHCS 3/8-16X1-1/4 PLTD. 032018010CR       | 4.000 ea |
| 033512008LB | HHTTS 1/4-20X1 PLATED                     | 4.000 ea |
| 034000014AB | WSH ID.406 OD.812 TH.065                  | 4.000 ea |
| 035000001A  | ALFTG 1/8" 1610-BL                        | 1.000 ea |
| 035000001A  | ALFTG 1/8" 1610-BL                        | 1.000 ea |
| 065776000C  | GASKET,MAIN CBOX, 320-400                 | 1.000 ea |
| 067053000B  | GASK 320-400                              | 1.000 ea |
| 076708000BB | CONDUIT BOX-360                           | 1.000 ea |
| 076709000A  | C/B Cover - 360                           | 1.000 ea |
| 406099000A  | PLUG - FAN COVER 320-440                  | 1.000 ea |
| 415000115H  | T/LUG #2AWG-4/0AWG                        | 1.000 ea |
| 418150003A  | GREASE FITTING CAP                        | 1.000 ea |
| 418150003A  | GREASE FITTING CAP                        | 1.000 ea |
| 033775004EA | DRSCR #6-1/4 304 S.S.                     | 4.000 ea |
| 034180044JA | KEY 3/4X3/4X5-1/2 L                       | 1.000 ea |
| MG1025G96   | WILKOFASST SG, 779.7048, MOUSE GRAY #7048 | 0.375 ga |
| 421948032   | LABEL, MYLAR                              | 1.000 ea |
| 000613006PU | N/P (RELEASE QTY 10,000) UL CSA LABEL     | 1.000 ea |
| 034001016AB | WSHR .562ID 1.375OD .109                  | 1.000 ea |
| 034001014AB | FLAT WASHER 3/8"PLATED                    | 1.000 ea |
| 035000001G  | GREASE RELIEF FITTING, ALEMITE 317400     | 1.000 ea |
| 034600001AA | BUSH 1/4TO1/8 BLACK                       | 1.000 ea |
| 034600001AA | BUSH 1/4TO1/8 BLACK                       | 1.000 ea |
| 035000001G  | GREASE RELIEF FITTING, ALEMITE 317400     | 1.000 ea |
| 415070001A  | RUBBER MOUNT 3X3X1 THICK                  | 1.000 ea |
| 032018024CK | HHCS 3/8-16X3 PLTD.                       | 1.000 ea |
| 604797013R  | 447 FR. ROLLER BEARING MOTOR SHAFT        | 1.000 ea |
| 604799003C  | PLASTIC BAG 42X32X46                      | 1.000 ea |
| 033300014AC | HEX NUT, SHIPPING - 400                   | 2.000 ea |
| 034001016AB | WSHR .562ID 1.375OD .109                  | 2.000 ea |
| 034001014AB | FLAT WASHER 3/8"PLATED                    | 2.000 ea |
| 032018005DL | 1/2-13 X 5/8 SILICON BRONZE HHCS          | 1.000 ea |
| 412118006A  | DRAIN                                     | 2.000 ea |

617429-501

# DUTY MASTER ALTERNATING CURRENT MOTORS

## SQUIRREL-CAGE INDUCTION

ENCLOSURE: TOTALLY ENCLOSED

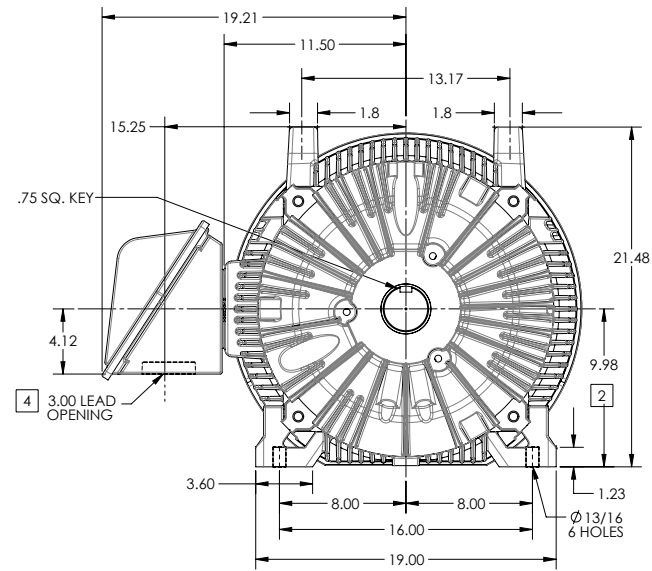
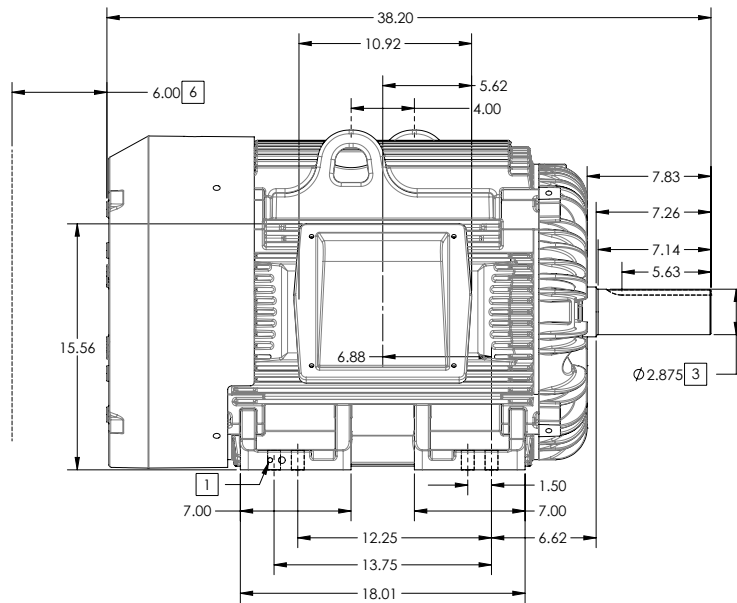
FRAME G405T ABOVE NEMA RATINGS

COOLING: FAN COOLED

MOUNTING: FOOT

INCLUDES 404T FRAME MOUNTING HOLES

XT/ECP SEVERE DUTY ENCLOSURE



1. GROUND HOLES QTY 1 1/2-13 TAP; QTY 1 3/8-16 TAP
2. VARIES +.00,-.06
3. VARIES +.00,-.001
4. ON STANDARD MOTORS THIS IS CONDUIT SIZE. ON XT AND CORROSION PROOF MOTOR THIS IS PIPE TAP.
5. MOTOR WEIGHTS MAY VARY BY 15% DEPENDING ON RATING.
6. OBSTRUCTION MUST NOT ENCROACH ON AIR INLET

[5] WEIGHT (LBS): 1370

CONDUIT BOX LOCATED ON OPPOSITE SIDE WHEN F-2. IF MOUNTING CLEARANCE DETAILS ARE REQUIRED, CONSULT FACTORY. MAXIMUM PERMISSIBLE SHAFT RUNOUT WHEN MEASURED AT END OF STANDARD SHAFT EXTENSION IS .003" T.I.R. TO 5 INCH DIA.

DIMENSIONS ARE IN INCHES; SEE SHEET 2 FOR DIMENSIONS IN MILLIMETERS

CUSTOMER IS RESPONSIBLE FOR DETERMINING THAT MOTOR PERFORMANCE IS SUITABLE IN THE APPLICATION.

SHEET NUMBER  
1 OF 2

105-627-19

|  |             |                              |                  |
|--|-------------|------------------------------|------------------|
| REV. DESC: CHANGE BA FROM 6.76 TO 6.62 |             |                              |                  |
| REV: B                                 | VERSION: 02 | REVISED: 01-11-16 04/14/2014 | TDR: 00000848770 |
| MODEL NO. 617429-501                   |             | REF:                         |                  |
| BY: MGHMMZ2                            | Material:   | C                            |                  |

**BALDOR**

G405T/404T STD - FOOTED - XT/ECP SEVERE DUTY ENCLOSURE

617429-501



# DUTY MASTER ALTERNATING CURRENT MOTORS

## SQUIRREL-CAGE INDUCTION

ENCLOSURE: TOTALLY ENCLOSED

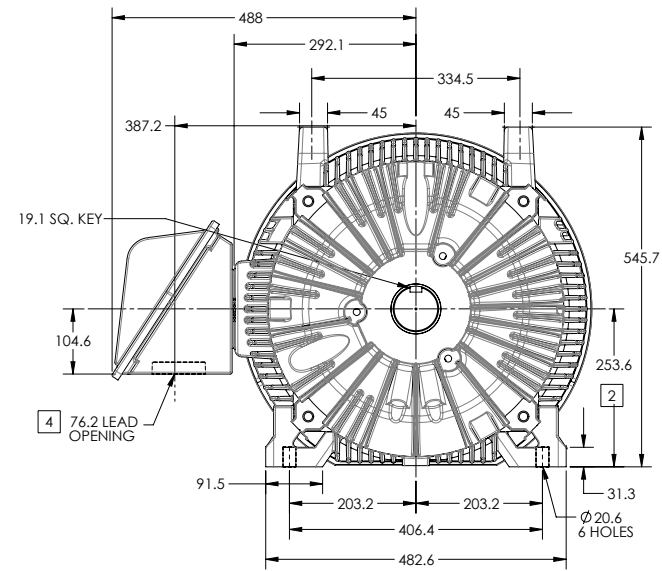
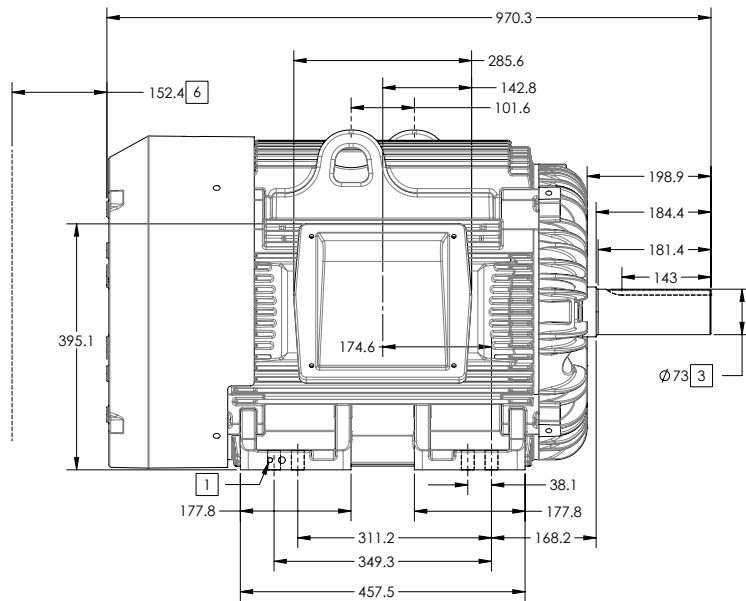
FRAME G405T ABOVE NEMA RATINGS

COOLING: FAN COOLED

MOUNTING: FOOT

INCLUDES 404T FRAME MOUNTING HOLES

XT/ECP SEVERE DUTY ENCLOSURE



1. GROUND HOLES QTY 1 1/2-13 TAP; QTY 1 3/8-16 TAP
2. VARIES +0,-1.5
3. VARIES +00,-.03
4. ON STANDARD MOTORS THIS IS CONDUIT SIZE. ON XT AND CORROSION PROOF MOTOR THIS IS PIPE TAP.
5. MOTOR WEIGHTS MAY VARY BY 15% DEPENDING ON RATING.
6. OBSTRUCTION MUST NOT ENCROACH ON AIR INLET

[5] WEIGHT (KGS): 630

CONDUIT BOX LOCATED ON OPPOSITE SIDE WHEN F-2.  
IF MOUNTING CLEARANCE DETAILS ARE REQUIRED, CONSULT FACTORY.  
MAXIMUM PERMISSIBLE SHAFT RUNOUT WHEN MEASURED AT END OF STANDARD SHAFT EXTENSION IS .08 MM T.I.R. TO 127 MM DIA.

DIMENSIONS ARE IN MILLIMETERS; SEE SHEET 1 FOR DIMENSIONS IN INCHES

CUSTOMER IS RESPONSIBLE FOR DETERMINING THAT MOTOR PERFORMANCE IS SUITABLE IN THE APPLICATION.

SHEET NUMBER  
**2 OF 2**

105-627219

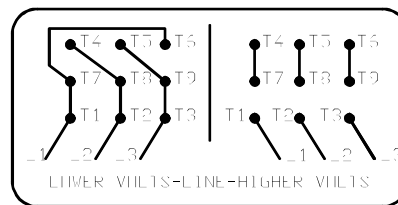
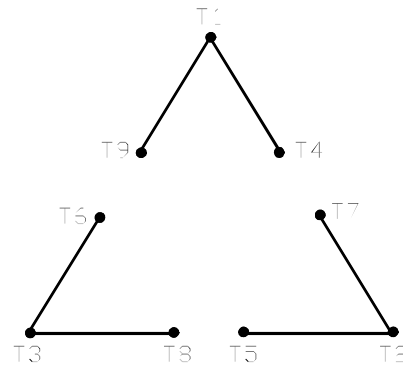
|  |             |                              |                  |
|--|-------------|------------------------------|------------------|
| REV. DESC: CHANGE BA FROM 6.76 TO 6.62 |             |                              |                  |
| REV: B                                 | VERSION: 02 | REVISED: 01-11-16 04/14/2014 | TDR: 00000848770 |
| MODEL NO. 617429-501                   |             | REF:                         |                  |
| BY: MGHMMZ2                            | Material:   | C                            |                  |

**BALDOR**

G405T/404T STD - FOOTED - XT/ECP SEVERE DUTY ENCLOSURE

416820-002

A-C MOTOR  
 CONNECTION DIAGRAM  
 STANDARD 9 LEAD DELTA-CONNECTED



(N.P. 1575-B)

416820-002

|   |                              |                   |
|---|------------------------------|-------------------|
| REV. DESC: FONT CHANGE FOR PDF SEARCHABLE |                              |                   |
| REV. LTR: A                               | VERSION: 01                  | TDR: 000001009382 |
| FILE: \MGA\00000\661                      | REVISED: 02:46:19 02/13/2020 | BY: MGHMTT        |
| MTL: -                                    | © □                          |                   |

**BALDOR - RELIANCE®**

CONN DIAG - STANDARD 9 LEAD, DELTA-CONNECTED

SH 1 of 1