

BALDOR® • RELIANCE 

Product Information Packet

EDM3546

1HP,1760RPM,3PH,60HZ,56,3520m,TEFC,F1,N

Part Detail							
Revision:	K	Status:	PRD/A	Change #:		Proprietary:	No
Type:	AC	Elec. Spec:	35WGM492	CD Diagram:	CD0005	Mfg Plant:	
Mech. Spec:	35E4313	Layout:	35LYE4313	Poles:	04	Created Date:	04-11-2016
Base:	RG	Eff. Date:	06-24-2021	Leads:	9#18		

Specs			
Catalog Number:	EDM3546	Insulation Class:	F
Enclosure:	TEFC	Inverter Code:	Inverter Duty
Frame:	56	KVA Code:	L
Frame Material:	Steel	Lifting Lugs:	No Lifting Lugs
Output @ Frequency:	1.000 HP @ 60 HZ	Locked Bearing Indicator:	No Locked Bearing
Synchronous Speed @ Frequency:	1800 RPM @ 60 HZ	Motor Finish:	CLEAR COAT
Voltage @ Frequency:	460.0 V @ 60 HZ	Motor Lead Quantity/Wire Size:	9 @ 18 AWG
	230.0 V @ 60 HZ	Motor Lead Exit:	Ko Box
XP Class and Group:	None	Motor Lead Termination:	Flying Leads
XP Division:	Not Applicable	Motor Type:	3520M
Agency Approvals:	UR	Mounting Arrangement:	F1
	CSA EEV	Power Factor:	71
	CCSA US	Product Family:	Dirty Duty Plus
Auxillary Box:	No Auxillary Box	Pulley End Bearing Type:	Sealed Bearing
Auxillary Box Lead Termination:	None	Pulley Face Code:	Standard
Base Indicator:	Rigid	Pulley Shaft Indicator:	Standard
Bearing Grease Type:	Polyrex EM (-20F +300F)	Rodent Screen:	None
Blower:	None	RoHS Status:	ROHS COMPLIANT

Constant Torque Speed Range:	6	Shaft Extension Location:	Pulley End
Current @ Voltage:	1.500 A @ 460.0 V	Shaft Ground Indicator:	No Shaft Grounding
	3.000 A @ 230.0 V	Shaft Rotation:	Reversible
	3.100 A @ 208.0 V	Shaft Slinger Indicator:	No Slinger
Design Code:	B	Speed Code:	Single Speed
Drip Cover:	No Drip Cover	Motor Standards:	NEMA
Duty Rating:	CONT	Starting Method:	Direct on line
Electrically Isolated Bearing:	Not Electrically Isolated	Thermal Device - Bearing:	None
Feedback Device:	NO FEEDBACK	Thermal Device - Winding:	None
Front Face Code:	Standard	Vibration Sensor Indicator:	No Vibration Sensor
Front Shaft Indicator:	None	Winding Thermal 1:	None
Heater Indicator:	No Heater	Winding Thermal 2:	None

Nameplate NP3504E										
CAT NO	EDM3546									
SPEC.	35E4313M492G1						ENCL	TEFC		
FRAME	56		HP		1					
VOLTS	230/460									
FLA	3/1.5				I.P.	56				
RPM	1760			RPM MAX	2700					
HZ	60		PH	3		CLASS	F			
SER.F.	1.15		DES	B		CC	010A			
NEMA-NOM-EFF	85.5									
RATING	40C AMB-CONT									
DE BRG	6205			ODE BRG	6203					
GREASE	POLYREX EM									
C HP FR	60		C HP TO	90						
CT HZ FROM	6		CT HZ TO	60						
SER.NO										
	50C AT 1.0 SF									
						VT HZ FROM	6		VT HZ TO	60

Parts List		
Part Number	Description	Quantity
SA319730	SA 35E4313M492G1	1.000 EA
RA307439	RA 35E4313M492G1	1.000 EA
NS2512A01	INSULATOR, CONDUIT BOX X	1.000 EA
35CB1001A01E	SPL CONDUIT BOX, MACHINED (E-COAT)	1.000 EA
35GS1022A02	GASKET BOX .06 THK NEOP BLK HDN 30-40 DU	1.000 EA
51XB1016A08	10-16X 1/2HXWSSLD SERTYB	2.000 EA
11XW1032G06	10-32 X .38, TAPTITE II, HEX WSHR SLTD U	1.000 EA
HA4054	SHORT T-DRAIN FITTING, .125" N.P.T.	1.000 EA
HW4500S33	1/8 NPT STAINLESS #304 SS PLUG	3.000 EA
35EP1100F12EP5	FRONT TEFC 203 BRG W/ SEAL	1.000 EA
HW4606A01	JM CLIPPER/SEAL (WDE-0667-1064-BH49)	1.000 EA
HW5100A03	WAVY WASHER (W1543-017)	1.000 EA
HA4054	SHORT T-DRAIN FITTING, .125" N.P.T.	1.000 EA
HW4500S33	1/8 NPT STAINLESS #304 SS PLUG	3.000 EA
35EP1102C35E	PUEP ENCL 205 BRG E-COAT	1.000 EA
HW4606A02	JM CLIPPER/SEAL (LWE-0938-1624-AL23)	1.000 EA
XY1032S02	10-32 HEX NUT R.H. S STL	4.000 EA
35FH4005A01EP5	IEC FH NO GREASER	1.000 EA
10XN1032S08	10-32X1/2 HEX HEAD S STL	3.000 EA
35CB4516E	CONDUIT BOX LID, E-COAT	1.000 EA
36GS1002	GASKET, 1/16" NEOPRENE CONDUIT BOX LID	1.000 EA
59XW0832S07	TAPTITE II,HEX WSHR UNSLTD SER,410 S.S.,	4.000 EA
HW2502D13	SS KEY, 3/16 SQ X 1.375	1.000 EA
HA7000A04	KEY RETAINER 0.625 DIA SHAFTS	1.000 EA

Parts List (continued)		
Part Number	Description	Quantity
85XU0407S04	4X1/4 U DRIVE PIN STAINLESS	2.000 EA
LB1000	LABEL, DIRTY DUTY	1.000 EA
LB1164	LABEL,WARNING AND DRAIN	1.000 EA
MJ5001A02	732 CL SEALANT 3 OZ DIXIE BEARING 289100	0.001 EA
MJ5001A23	P.D. GEORGE B-276 AIR DRY VARNISH	0.001 GA
HW3001B01	BRASS CUP WASHER, FOR #10 SCREW	1.000 EA
WD1000D21	TRM,T&B #B71M,RING,18-14,.25,NON-INSL	9.000 EA
MJ1000A02	GREASE, MOBIL POLYREX EM - 124047	0.050 LB
MG1500Y02	WILKOPON PRIMER YELLOW	0.010 GA
MG1025L01	WILKOFASD FD, 786.04, BLACK	0.010 GA
35FN3002A05SP	EXFN, PLASTIC, 6.376 OD, .638 ID	1.000 EA
51XB1214A16	12-14X1.00 HXWSSLD SERTYB	1.000 EA
HA3100S07	THRUBOLT 10-32 X 8.375 SS	4.000 EA
LC0005	CONN.DIA.,TY M,9-LD,DUAL VOLT,REVERSING	1.000 EA
MN416A01	TAG-INSTAL-MAINT no wire (2100/bx) 4/22	1.000 EA
NP3504E	SS DIRTY DUTY PLUS INV UL CSA-C US EEV	1.000 EA
36PA1000	PKG GRP, PRINT PK1016A06	1.000 EA

AC Induction Motor Performance Data

Record # 55764

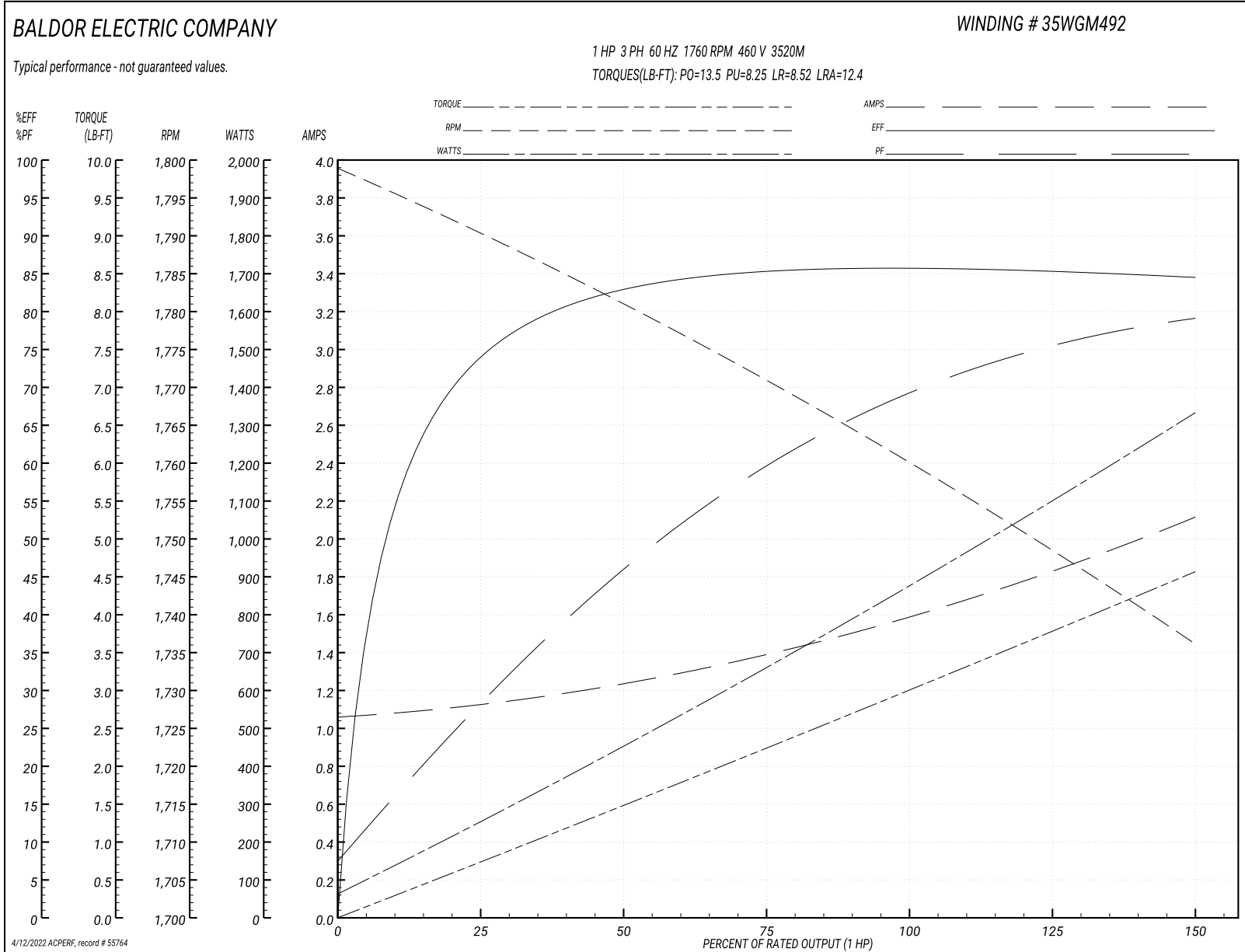
Typical performance - not guaranteed values

Winding: 35WGM492-R027		Type: 3520M		Enclosure: TEFC	
Nameplate Data			460 V, 60 Hz: High Voltage Connection		
Rated Output (HP)	1	Full Load Torque	2.99 LB-FT		
Volts	230/460	Start Configuration	direct on line		
Full Load Amps	3/1.5	Breakdown Torque	13.5 LB-FT		
R.P.M.	1760	Pull-up Torque	8.25 LB-FT		
Hz	60 Phase	3	Locked-rotor Torque	8.52 LB-FT	
NEMA Design Code	B KVA Code	L	Starting Current	12.4 A	
Service Factor (S.F.)	1.15	No-load Current	1.07 A		
NEMA Nom. Eff.	85.5 Power Factor	71	Line-line Res. @ 25°C	15 Ω	
Rating - Duty	40C AMB-CONT	Temp. Rise @ Rated Load	36°C		
S.F. Amps		Temp. Rise @ S.F. Load	42°C		
		Locked-rotor Power Factor	53.8		
		Rotor inertia	0.118 LB-FT ²		

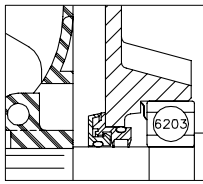
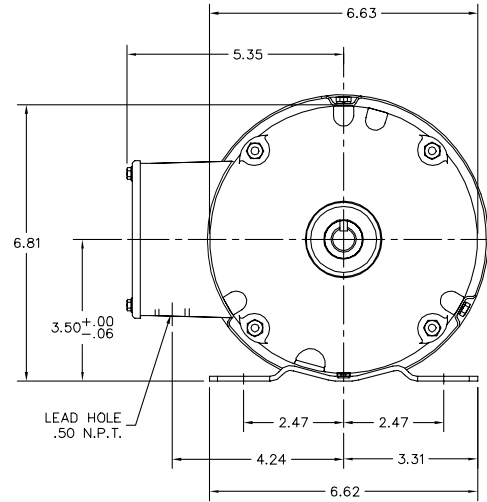
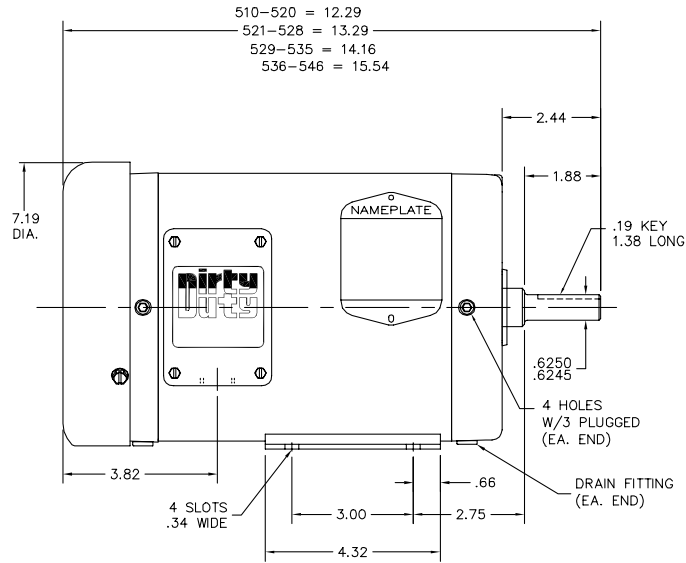
Load Characteristics 460 V, 60 Hz, 1 HP

% of Rated Load	25	50	75	100	125	150	S.F.
Power Factor	29	46	60	69	75	79	75
Efficiency	74.2	82.9	85.4	85.8	85.4	84.5	85.4
Speed	1790	1781	1771	1760	1749	1736	1754
Line amperes	1.11	1.24	1.39	1.59	1.83	2.11	1.69

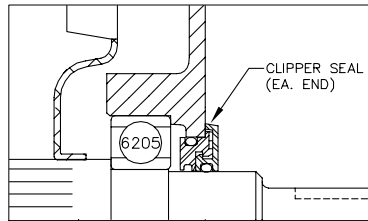
Performance Graph at 460V, 60Hz, 1.0HP Typical performance - Not guaranteed values



35LYE4313



FRONT END DETAIL



PULLEY END DETAIL

CUSTOMER IS RESPONSIBLE FOR DETERMINING THAT BALDOR'S PRODUCT WILL PERFORM SUITABLY IN THE INTENDED APPLICATION.

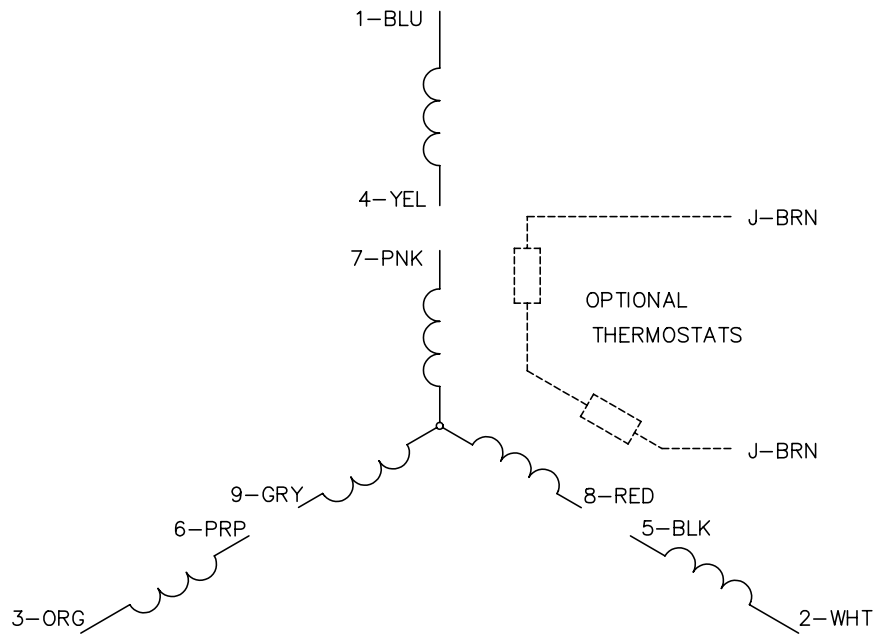
REV. DESC: NEW	VERSION: 00	TDR: 000000968661
REV. LTR: -	REVISED: 12:00:45 04/13/2016	BY: ENCHALO
FILE: \AAA\00226\111		
MTL: -		

BALDOR

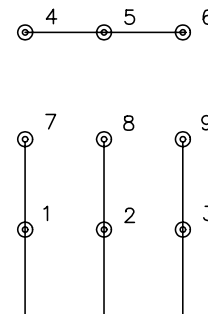
HOR 56 TEFC 35M DDP
SH 1 of 1

35LYE4313

CD0005

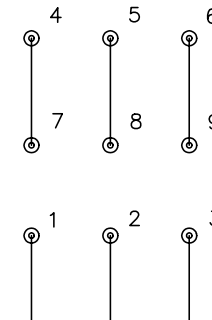


LOW VOLTAGE
(2Y)



LINE

HIGH VOLTAGE
(1Y)



LINE

NOTES:

1. INTERCHANGE ANY TWO LINE LEADS TO REVERSE ROTATION.
2. OPTIONAL THERMOSTATS ARE PROVIDED WHEN SPECIFIED.
3. ACTUAL NUMBER OF INTERNAL PARALLEL CIRCUITS MAY BE A MULTIPLE OF THOSE SHOWN ABOVE.
4. LEAD COLORS ARE OPTIONAL. LEADS MUST ALWAYS BE NUMBERED AS SHOWN.

REV. DESC: REVISE TO SHOW OPTIONAL COLORS			
REV. LTR: E	BY: JLP	REVISED: 01/19/99 10:15	TDR: 0171435
90000		FILE: AAA00005140	MDL: -
		MTL: -	

BALDOR ELECTRIC Co.

3PH, DV, 9 LEADS

CD0005