

BALDOR® • RELIANCE 

Product Information Packet

EHM2333T-5

15HP,1765RPM,3PH,60HZ,254T,0944M,TEFC,F1

Part Detail							
Revision:	V	Status:	PRD/A	Change #:		Proprietary:	No
Type:	AC	Elec. Spec:	09WGT124	CD Diagram:	CD0006	Mfg Plant:	
Mech. Spec:	09J970	Layout:	09LYJ970	Poles:	04	Created Date:	10-23-2015
Base:	RG	Eff. Date:	02-21-2022	Leads:	3#12		

Specs			
Catalog Number:	EHM2333T-5	Inverter Code:	Inverter Ready
Enclosure:	TEFC	KVA Code:	H
Frame:	254T	Lifting Lugs:	Standard Lifting Lugs
Frame Material:	Iron	Locked Bearing Indicator:	Locked Bearing
Output @ Frequency:	15.000 HP @ 60 HZ	Motor Lead Quantity/Wire Size:	3 @ 12 AWG
Synchronous Speed @ Frequency:	1800 RPM @ 60 HZ	Motor Lead Exit:	Ko Box
Voltage @ Frequency:	575.0 V @ 60 HZ	Motor Lead Termination:	Flying Leads
XP Class and Group:	None	Motor Type:	0944M
XP Division:	Not Applicable	Mounting Arrangement:	F1
Agency Approvals:	CSA	Power Factor:	83
	CSA EEV	Product Family:	General Purpose
	UR	Pulley End Bearing Type:	Ball
Auxillary Box:	No Auxillary Box	Pulley Face Code:	Standard
Auxillary Box Lead Termination:	None	Pulley Shaft Indicator:	Standard
Base Indicator:	Rigid	Rodent Screen:	None
Bearing Grease Type:	Polyrex EM (-20F +300F)	Shaft Extension Location:	Pulley End
Blower:	None	Shaft Ground Indicator:	Mounting Provisions Only
Current @ Voltage:	14.600 A @ 575.0 V	Shaft Rotation:	Reversible

Design Code:	A	Shaft Slinger Indicator:	No Slinger
Drip Cover:	No Drip Cover	Speed Code:	Single Speed
Duty Rating:	CONT	Motor Standards:	NEMA
Electrically Isolated Bearing:	Not Electrically Isolated	Starting Method:	Direct on line
Feedback Device:	NO FEEDBACK	Thermal Device - Bearing:	None
Front Face Code:	Standard	Thermal Device - Winding:	None
Front Shaft Indicator:	None	Vibration Sensor Indicator:	No Vibration Sensor
Heater Indicator:	No Heater	Winding Thermal 1:	None
Insulation Class:	F	Winding Thermal 2:	None

Nameplate NP1259L										
CAT.NO.	EHM2333T-5									
SPEC.	09J970T124G1									
HP	15									
VOLTS	575									
AMP	14.6									
RPM	1765									
FRAME	254T				HZ	60			PH	3
SER.F.	1.15		CODE	H	DES	A		CL	F	
NEMA-NOM-EFF	92.4		PF	83						
RATING	40C AMB-CONT									
CC	010A				USABLE AT 208V					
DE	6309				ODE	6208				
ENCL	TEFC		SN							
	SFA 16.7									

Parts List		
Part Number	Description	Quantity
SA309510	SA 09J970T124G1	1.000 EA
RA296867	RA 09J970T124G1	1.000 EA
09FN3001D01SP	EXTERNAL FAN, PLASTIC (COMES W/SCREW FRO	1.000 EA
HW1002A63	WASHER, 5/8 HI-COLLAR SPRLCKWASHER	1.000 EA
09CB3003	CB W/1.75" DIA LD HL - 37, 39, 307 & 309	1.000 EA
09GS1000SP	GASKET-CONDUIT BOX, 1/16 THICK LEXIDE	1.000 EA
51XW2520A12	.25-20 X .75, TAPTITE II, HEX WSHR SLTD	4.000 EA
HW1001A25	LOCKWASHER 1/4, ZINC PLT .493 OD, .255 I	2.000 EA
09EP1101A132	PU ENDPLATE, MACH	1.000 EA
10XN3816K28	3/8-16 X 1.75 HEX HD CAP SCREW, GRADE 5	4.000 EA
WD1000B16	T&B CX70TN OR L70P TERMINAL LUG	1.000 EA
59XW2520G07	.25-20X.44,HEX SER WSHR,TAPTITE 2,GREEN	1.000 EA
09EP1100A14	FREP ASSM, (FOR INTRL ROUTING PURPOSE)	1.000 EA
HA3400A33	STUD- 3/8-16 X 4.82 HEX WELKER	4.000 EA
XY3816A12	3/8-16 FINISHED NUT	4.000 EA
HW1001A38	LOCKWASHER 3/8, ZINC PLT .688 OD, .382 I	4.000 EA
HW5100A08	W3118-035 WVY WSHR (WB)	1.000 EA
10XN2520K28	1/4-20 X 1.75" HX HD SCRWGRADE 5, ZINC P	2.000 EA
84XN0540J08	5-40 X 1/2" SHCS, BLACK OXIDE	2.000 EA
10XN2520K36	1/4-20 X 2.25" HX HD SCRWGRADE 5, ZINC P	4.000 EA
HW1001A25	LOCKWASHER 1/4, ZINC PLT .493 OD, .255 I	4.000 EA
HW1001A38	LOCKWASHER 3/8, ZINC PLT .688 OD, .382 I	4.000 EA
09FH4000SP	309 FH - BLACK PRIMER	1.000 EA
HW1001A38	LOCKWASHER 3/8, ZINC PLT .688 OD, .382 I	4.000 EA

Parts List (continued)		
Part Number	Description	Quantity
09CB3501SP	CONDUIT BOX LID FOR 09CB3001 & 09CB3002	1.000 EA
09GS1013SP	GS FOR 09CB3501, 12CB1500 & 12CB1503 LID	1.000 EA
51XW2520A12	.25-20 X .75, TAPTITE II, HEX WSHR SLTD	2.000 EA
HW2501G25	KEY, 3/8 SQ X 2.875	1.000 EA
LB1115N	LABEL,LIFTING DEVICE (ON ROLLS)	1.000 EA
HA4051A00	PLASTIC CAP FOR GREASE FITTING	1.000 EA
HW4500A20	1/8NPT SL PIPE PLUG	1.000 EA
HW4500A20	1/8NPT SL PIPE PLUG	1.000 EA
HA4054	SHORT T-DRAIN FITTING, .125" N.P.T.	1.000 EA
MJ1000A02	GREASE, MOBIL POLYREX EM - 124047	0.080 LB
HA4051A00	PLASTIC CAP FOR GREASE FITTING	1.000 EA
HW4500A20	1/8NPT SL PIPE PLUG	1.000 EA
HW4500A20	1/8NPT SL PIPE PLUG	1.000 EA
HA4054	SHORT T-DRAIN FITTING, .125" N.P.T.	1.000 EA
HW2500A25	WOODRUFF KEY USA #1008 #BLOW CARBON STEE	1.000 EA
MG1000Y03	MUNSELL 2.53Y 6.70/ 4.60, GLOSS 20,	0.050 GA
85XU0407S04	4X1/4 U DRIVE PIN STAINLESS	2.000 EA
LB1119N	WARNING LABEL	1.000 EA
LC0006	CONNECTION LABEL	1.000 EA
NP1259L	ALUM SUPER-E UL CSA-EEV CC NEMA PREMIUM	1.000 EA
09PA1000	PACKAGING GROUP COMBINED PRINT	1.000 EA
LB1350	BAR CODE LABEL FOR YORK	1.000 EA
MN416A01	TAG-INSTAL-MAINT no wire (2100/bx) 4/22	1.000 EA
LD7020D03	LEAD SET, 12AWG, 3 LEAD, 20" LONG LEADS	1.000 EA

AC Induction Motor Performance Data

Record # 47378

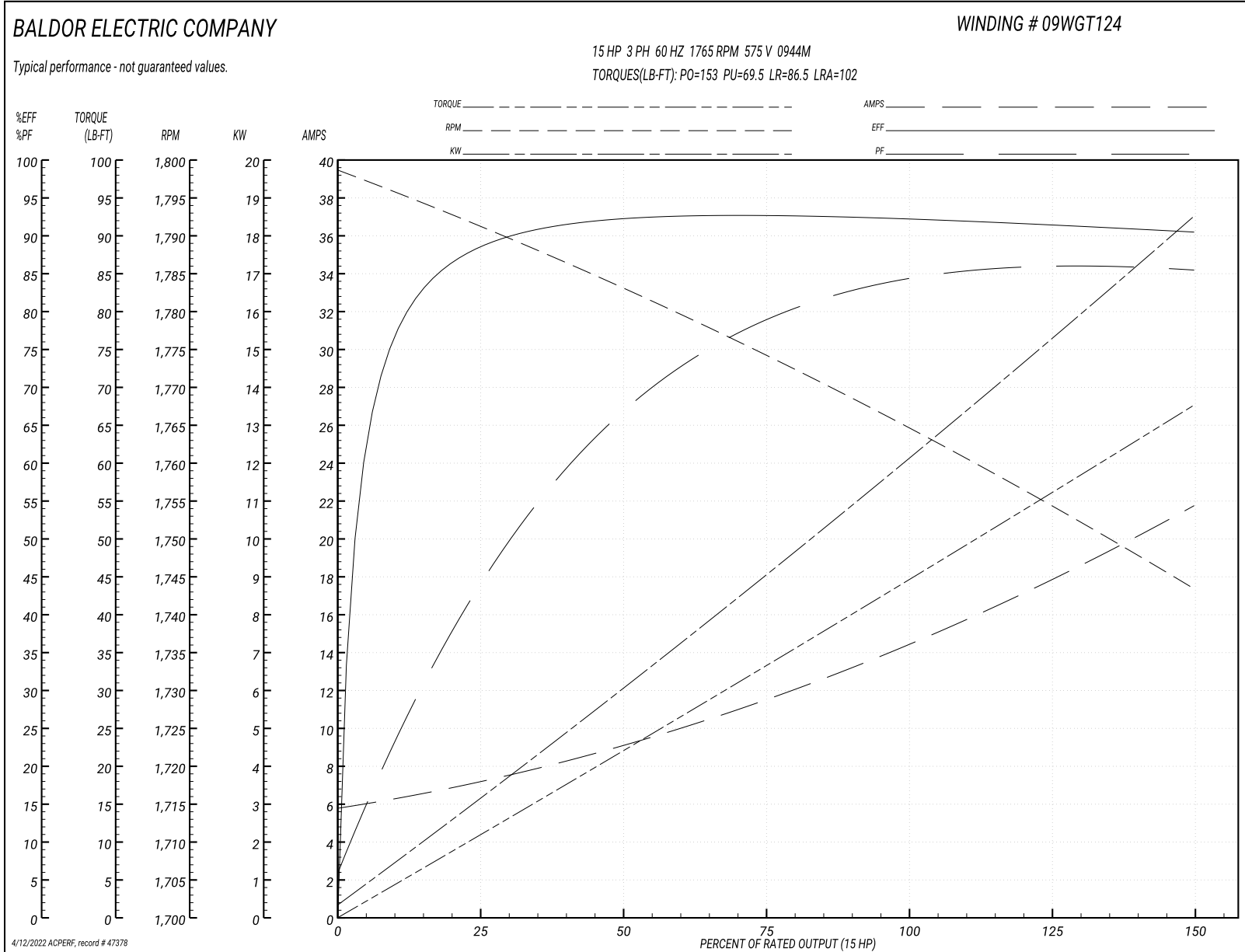
Typical performance - not guaranteed values

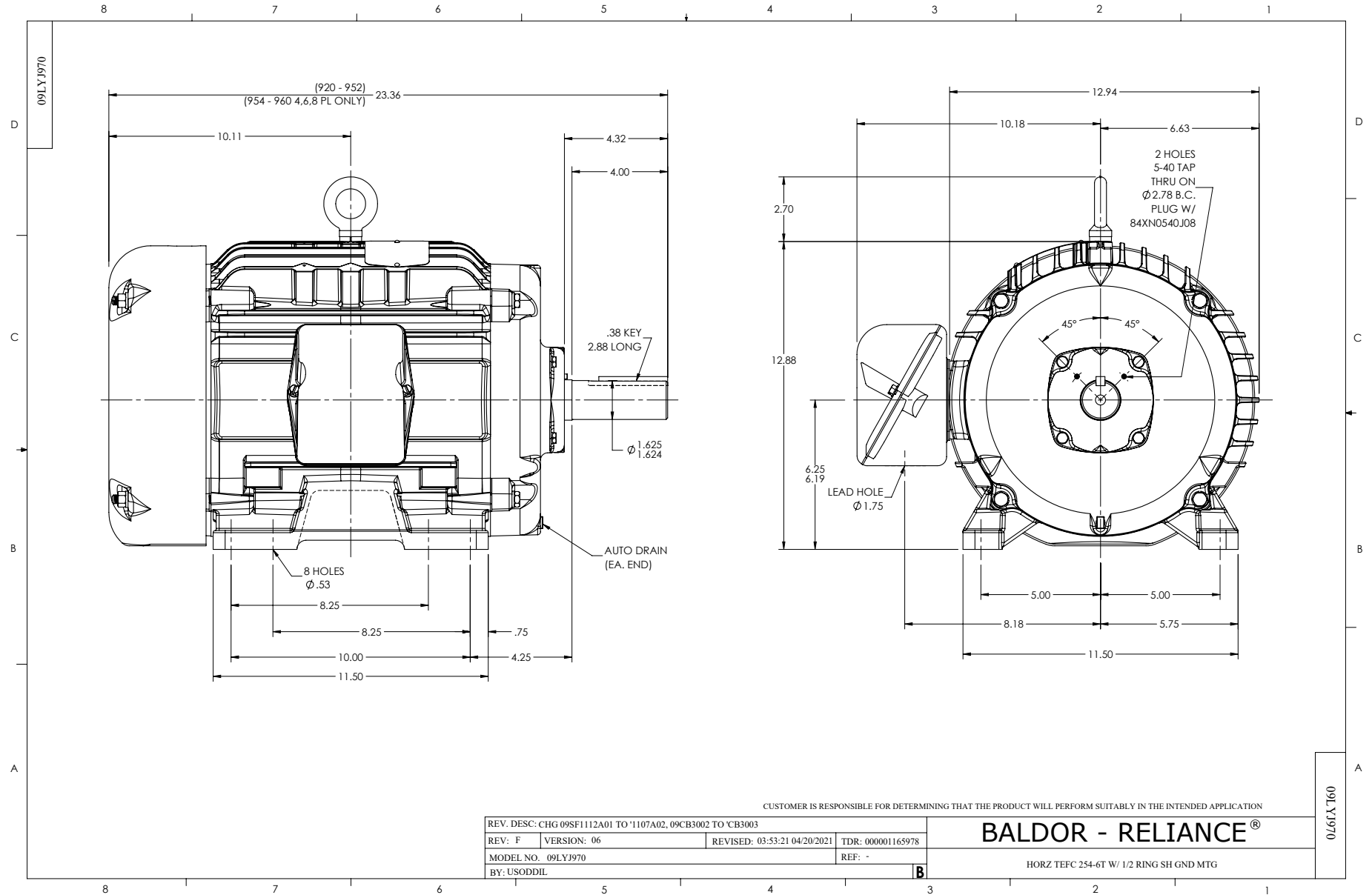
Winding: 09WGT124-R001		Type: 0944M		Enclosure: TEFC			
Nameplate Data			575 V, 60 Hz: Single Voltage Motor				
Rated Output (HP)	15	Full Load Torque	44.5 LB-FT				
Volts	575	Start Configuration	direct on line				
Full Load Amps	14.6	Breakdown Torque	153 LB-FT				
R.P.M.	1765	Pull-up Torque	69.5 LB-FT				
Hz	60 Phase	3	Locked-rotor Torque	86.5 LB-FT			
NEMA Design Code	A	KVA Code	H	Starting Current	102 A		
Service Factor (S.F.)	1.15	No-load Current	6.05 A				
NEMA Nom. Eff.	92.4	Power Factor	83	Line-line Res. @ 25°C	0.874 Ω		
Rating - Duty	40C AMB-CONT		Temp. Rise @ Rated Load	54°C			
S.F. Amps			Temp. Rise @ S.F. Load	66°C			
			Locked-rotor Power Factor	33.1			
			Rotor inertia	1.92 lb-ft ²			

Load Characteristics 575 V, 60 Hz, 15 HP

% of Rated Load	25	50	75	100	125	150	S.F.
Power Factor	45	69	78	83	85	87	86
Efficiency	88.1	92.3	92.6	92.4	91.5	90.5	92.2
Speed	1791	1783	1774	1765	1755	1743	1769
Line amperes	6.9	8.8	11.6	14.6	18.1	21.5	16.3

Performance Graph at 575V, 60Hz, 15.0HP Typical performance - Not guaranteed values





CD0006



NOTES:

1. THREE LEAD MOTOR MAY BE EITHER WYE CONNECTED OR DELTA CONNECTED.
2. INTERCHANGE ANY TWO LINE LEADS TO REVERSE ROTATION.
3. OPTIONAL THERMOSTATS ARE PROVIDED WHEN SPECIFIED.
4. ACTUAL NUMBER OF INTERNAL PARALLEL CIRCUITS MAY VARY.
5. LEAD COLORS ARE OPTIONAL. LEADS MUST BE NUMBERED AS SHOWN.

CD0006

REV. DESC: ADD CLASS CONN00000007		
REV. LTR: E	VERSION: 01	TDR: 000001099922
FILE: \AAA\00005\141	REVISED: 10:24:49 02/19/2019	BY: ENBRIRO
MTL: -	© □	

BALDOR - RELIANCE®

3PH, SV, 3 LEADS, WYE OR DELTA CONNECTED

SH 1 of 1

Marketing maintained PDF of MN416:

<http://www.baldor.com/support/Literature/Load.ashx/MN416?ManNumber=MN416>