

BALDOR® • RELIANCE 

Product Information Packet

EHM2535T-8

30HP, 1770RPM, 3PH, 60HZ, 286T, 4052M, OPSB, F1

Part Detail							
Revision:	P	Status:	PRD/A	Change #:		Proprietary:	No
Type:	AC	Elec. Spec:	40WGW491	CD Diagram:	CD0006	Mfg Plant:	
Mech. Spec:	40J098	Layout:	40LYJ098	Poles:	04	Created Date:	10-22-2010
Base:	RG	Eff. Date:	07-26-2019	Leads:	3#6		

Specs			
Catalog Number:	EHM2535T-8	KVA Code:	G
Enclosure:	OPSB	Lifting Lugs:	Standard Lifting Lugs
Frame:	286T	Locked Bearing Indicator:	No Locked Bearing
Frame Material:	Steel	Motor Lead Quantity/Wire Size:	3 @ 6 AWG
Output @ Frequency:	30.000 HP @ 60 HZ	Motor Lead Exit:	Ko Box
Synchronous Speed @ Frequency:	1800 RPM @ 60 HZ	Motor Lead Termination:	Flying Leads
Voltage @ Frequency:	200.0 V @ 60 HZ	Motor Type:	4052M
Agency Approvals:	UR	Mounting Arrangement:	F1
	CSA	Power Factor:	85
Auxillary Box:	No Auxillary Box	Product Family:	General Purpose
Auxillary Box Lead Termination:	None	Pulley End Bearing Type:	Ball
Base Indicator:	Rigid	Pulley Face Code:	Standard
Bearing Grease Type:	Polyrex EM (-20F +300F)	Pulley Shaft Indicator:	Standard
Blower:	None	Rodent Screen:	None
Current @ Voltage:	81.000 A @ 200.0 V	Shaft Extension Location:	Pulley End
Design Code:	B	Shaft Ground Indicator:	No Shaft Grounding
Drip Cover:	No Drip Cover	Shaft Rotation:	Reversible
Duty Rating:	CONT	Shaft Slinger Indicator:	No Slinger

Electrically Isolated Bearing:	Not Electrically Isolated	Speed Code:	Single Speed
Feedback Device:	NO FEEDBACK	Motor Standards:	NEMA
Front Face Code:	Standard	Starting Method:	Direct on line
Front Shaft Indicator:	None	Thermal Device - Bearing:	None
Heater Indicator:	No Heater	Thermal Device - Winding:	None
Insulation Class:	F	Vibration Sensor Indicator:	No Vibration Sensor
Inverter Code:	Inverter Ready	Winding Thermal 1:	None
		Winding Thermal 2:	None

Nameplate NP2094E06B03										
CAT.NO.	EHM2535T-8									
SPEC.	40J098W491G1									
HP	30									
VOLTS	200									
AMPS	81									
RPM	1770									
FRAME	286T				HZ	60			PH	3
SER.F.	1.15		CODE	G	DES	B		CL	F	
NEMA-NOM-EFF	94.1			PF	85					
RATING	40C AMB-CONT									
CC	010A				USABLE AT 208V					
DE	6311				ODE	6309				
AUTO				MANUAL				NONE		
ENCL	OPSB			SN						
BLANK										

Parts List		
Part Number	Description	Quantity
SA205148	SA 40J098W491G1	1.000 EA
RA192392	RA 40J098W491G1	1.000 EA
HA6361A01	LIFTING LUG FOR 37, 39 & 40 FRAME ZINC	2.000 EA
40CB4000A01	CONDUIT BOX 40, STAMPED	1.000 EA
51XF2520A08	SCREW, HEX SER SLT HD, ZN 1/4-20 X .50 L	2.000 EA
WD1000B16	T&B CX70TN OR L70P TERMINAL LUG	1.000 EA
40EP3200A02	STD FREP OPEN 309 BRG	1.000 EA
HW5100A11	W3917-042 WVY WSHR (WB)	1.000 EA
40EP3200B31	PUEP OPEN 311 BRG W/SH GND MTG	1.000 EA
84XN0540J08	5-40 X 1/2" SHCS, BLACK OXIDE	2.000 EA
XY3816A12	3/8-16 FINISHED NUT	8.000 EA
39CB4500A01	CONDUIT BOX LID 39, STAMPED, W/ PRIMER	1.000 EA
51XF2520A08	SCREW, HEX SER SLT HD, ZN 1/4-20 X .50 L	2.000 EA
HW2501H28	KEY, 1/2 SQ X 3.250	1.000 EA
MN416A01	TAG-INSTAL-MAINT no wire (2100/bx) 4/22	1.000 EA
HA4051A00	PLASTIC CAP FOR GREASE FITTING	1.000 EA
HW4500A20	1/8NPT SL PIPE PLUG	2.000 EA
MJ1000A02	GREASE, MOBIL POLYREX EM - 124047	0.050 LB
HW4500A20	1/8NPT SL PIPE PLUG	2.000 EA
HA4051A00	PLASTIC CAP FOR GREASE FITTING	1.000 EA
MG1000G27	MED CHARCOAL METALLIC GREY 400-0096	0.070 GA
HA3154A04	THRUBOLT STUD 3/8-16 X 18.750	4.000 EA
40AD2002A01	LEXAN BAFFLE 40 FR OPEN	1.000 EA
40AD2002A01	LEXAN BAFFLE 40 FR OPEN	1.000 EA

Parts List (continued)		
Part Number	Description	Quantity
LC0006	CONNECTION LABEL	1.000 EA
NP2094E06B03	NP LABEL W/BARCODE (PREM EFF HVAC MTR)	1.000 EA
40PA1000	PACKAGING GROUP	1.000 EA

AC Induction Motor Performance Data

Record # 16453

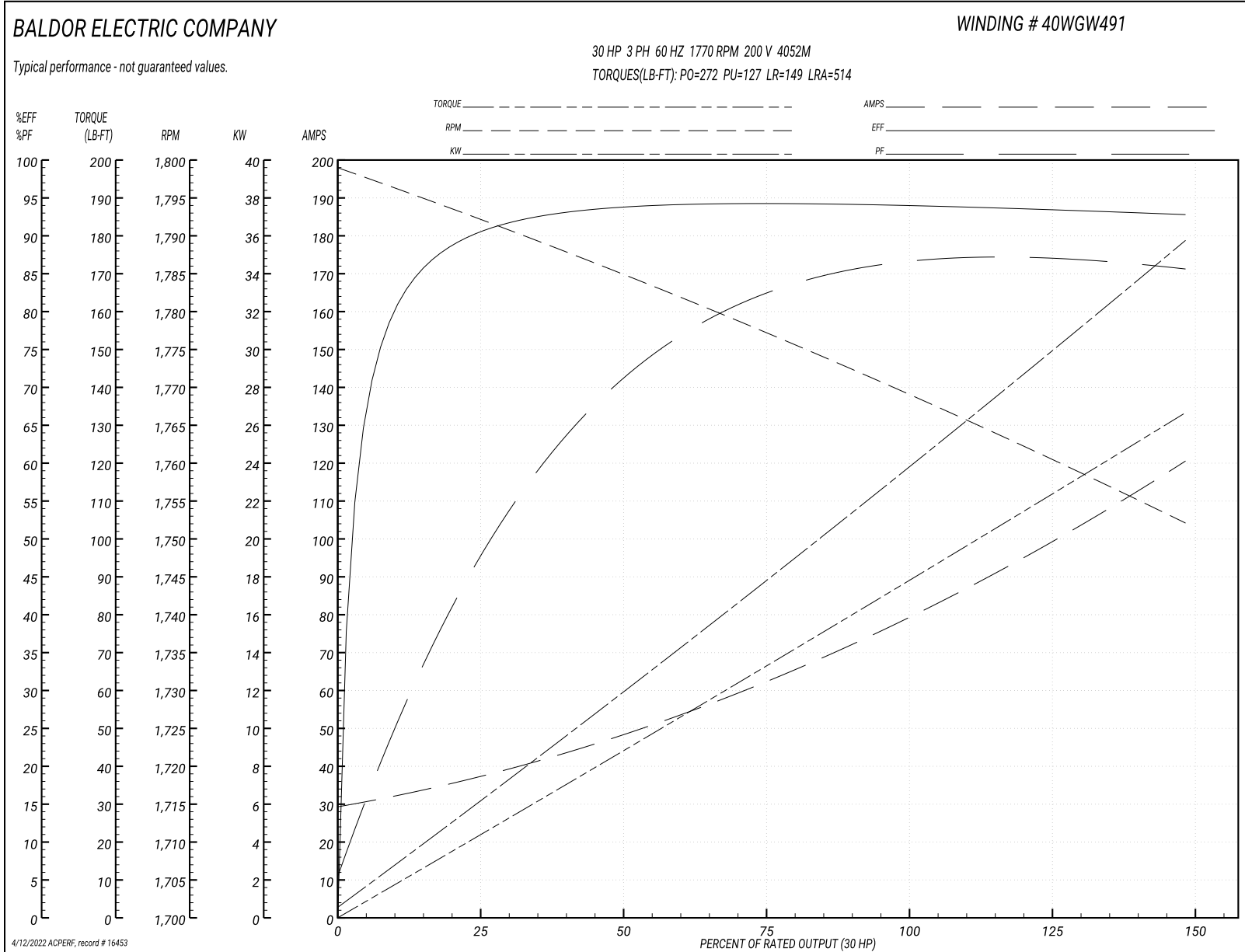
Typical performance - not guaranteed values

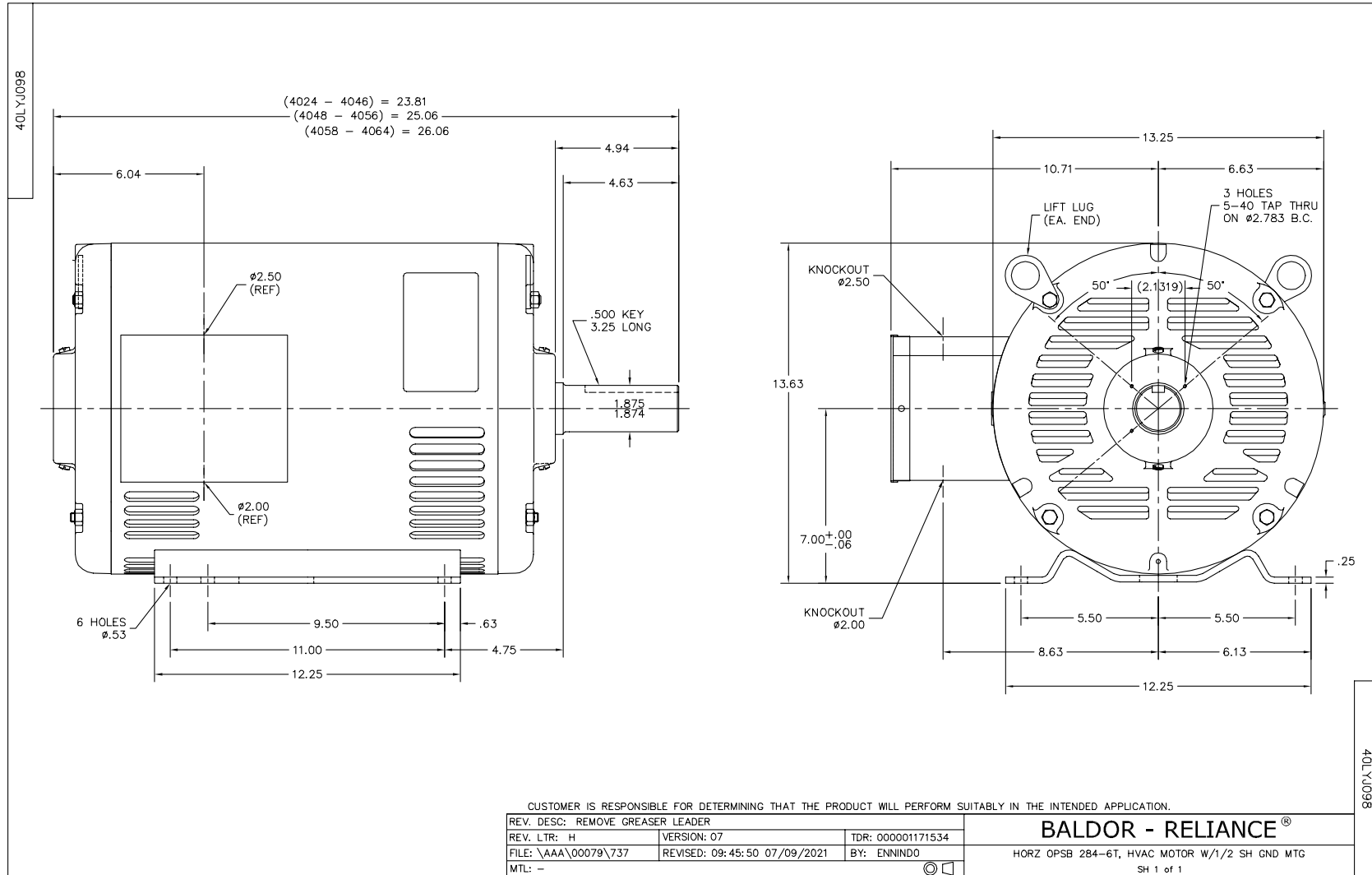
Winding: 40WGW491-R001		Type: 4052M		Enclosure: OPSB	
Nameplate Data			200 V, 60 Hz: Single Voltage Motor		
Rated Output (HP)	30	Full Load Torque	88.9 LB-FT		
Volts	200	Start Configuration	direct on line		
Full Load Amps	81	Breakdown Torque	272 LB-FT		
R.P.M.	1770	Pull-up Torque	127 LB-FT		
Hz	60 Phase	3	Locked-rotor Torque	149 LB-FT	
NEMA Design Code	B KVA Code	G	Starting Current	514 A	
Service Factor (S.F.)	1.15	No-load Current	30.6 A		
NEMA Nom. Eff.	94.1	Power Factor	85	Line-line Res. @ 25°C	0.0423 Ω
Rating - Duty	40C AMB-CONT		Temp. Rise @ Rated Load	31°C	
S.F. Amps			Temp. Rise @ S.F. Load	40°C	
			Locked-rotor Power Factor	32	
			Rotor inertia	4.13 LB-FT ²	

Load Characteristics 200 V, 60 Hz, 30 HP

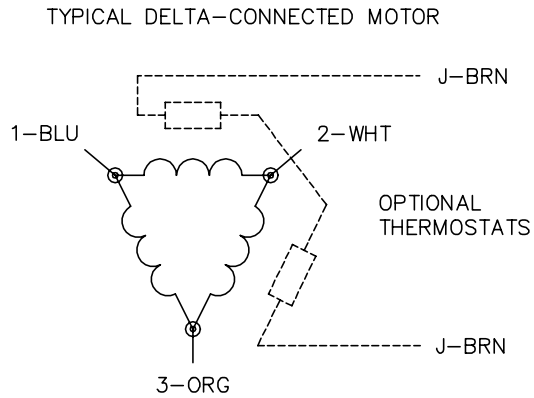
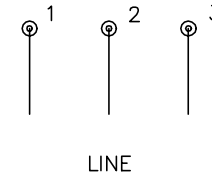
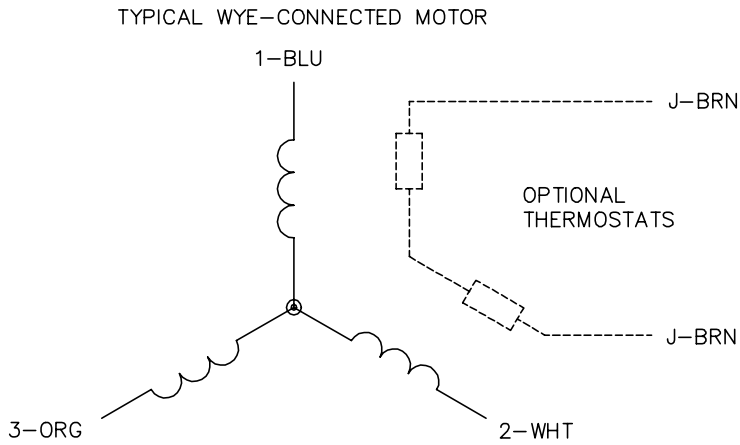
% of Rated Load	25	50	75	100	125	150	S.F.
Power Factor	50	72	82	85	87	87	86
Efficiency	90.3	93.6	94.2	94.1	93.6	92.7	93.8
Speed	1792	1785	1777	1769	1761	1752	1764
Line amperes	35.7	47.7	63	80.3	99	119.8	91.3

Performance Graph at 200V, 60Hz, 30.0HP Typical performance - Not guaranteed values





CD0006



NOTES:

1. THREE LEAD MOTOR MAY BE EITHER WYE CONNECTED OR DELTA CONNECTED.
2. INTERCHANGE ANY TWO LINE LEADS TO REVERSE ROTATION.
3. OPTIONAL THERMOSTATS ARE PROVIDED WHEN SPECIFIED.
4. ACTUAL NUMBER OF INTERNAL PARALLEL CIRCUITS MAY VARY.
5. LEAD COLORS ARE OPTIONAL. LEADS MUST BE NUMBERED AS SHOWN.

CD0006

REV. DESC: ADD CLASS CONN00000007		
REV. LTR: E	VERSION: 01	TDR: 000001099922
FILE: \AAA\00005\141	REVISED: 10:24:49 02/19/2019	BY: ENBRIRO
MTL: -		

BALDOR - RELIANCE®

3PH, SV, 3 LEADS, WYE OR DELTA CONNECTED

SH 1 of 1

Marketing maintained PDF of MN416:

<http://www.baldor.com/support/Literature/Load.ashx/MN416?ManNumber=MN416>