

**BALDOR® • RELIANCE** 

**Product Information Packet**

**EHM3157T-8**

**2HP,1750RPM,3PH,60HZ,145T,3524M,OPSB,F1**

Part Detail							
Revision:	V	Status:	PRD/A	Change #:		Proprietary:	No
Type:	AC	Elec. Spec:	35WGM921	CD Diagram:	CD0006	Mfg Plant:	
Mech. Spec:	35VV807	Layout:	35LYVV807	Poles:	04	Created Date:	12-06-2011
Base:	RG	Eff. Date:	08-31-2021	Leads:	3#16		

Specs			
Catalog Number:	EHM3157T-8	Inverter Code:	Inverter Ready
Enclosure:	OPSB	KVA Code:	K
Frame:	145T	Lifting Lugs:	No Lifting Lugs
Frame Material:	Steel	Locked Bearing Indicator:	No Locked Bearing
Output @ Frequency:	2.000 HP @ 60 HZ	Motor Lead Quantity/Wire Size:	3 @ 16 AWG
Synchronous Speed @ Frequency:	1800 RPM @ 60 HZ	Motor Lead Exit:	Ko Box
Voltage @ Frequency:	200.0 V @ 60 HZ	Motor Lead Termination:	Flying Leads
XP Class and Group:	None	Motor Type:	3524M
XP Division:	Not Applicable	Mounting Arrangement:	F1
Agency Approvals:	CSA	Power Factor:	77
	UR	Product Family:	General Purpose
Auxillary Box:	No Auxillary Box	Pulley End Bearing Type:	Ball
Auxillary Box Lead Termination:	None	Pulley Face Code:	Standard
Base Indicator:	Rigid	Pulley Shaft Indicator:	Standard
Bearing Grease Type:	Polyrex EM (-20F +300F)	Rodent Screen:	None
Blower:	None	RoHS Status:	ROHS COMPLIANT
Current @ Voltage:	6.500 A @ 200.0 V	Shaft Extension Location:	Pulley End
	6.500 A @ 208.0 V	Shaft Ground Indicator:	No Shaft Grounding

<b>Design Code:</b>	B	<b>Shaft Rotation:</b>	Reversible
<b>Drip Cover:</b>	No Drip Cover	<b>Shaft Slinger Indicator:</b>	No Slinger
<b>Duty Rating:</b>	CONT	<b>Speed Code:</b>	Single Speed
<b>Electrically Isolated Bearing:</b>	Not Electrically Isolated	<b>Motor Standards:</b>	NEMA
<b>Feedback Device:</b>	NO FEEDBACK	<b>Starting Method:</b>	Direct on line
<b>Front Face Code:</b>	Standard	<b>Thermal Device - Bearing:</b>	None
<b>Front Shaft Indicator:</b>	None	<b>Thermal Device - Winding:</b>	None
<b>Heater Indicator:</b>	No Heater	<b>Vibration Sensor Indicator:</b>	No Vibration Sensor
<b>Insulation Class:</b>	F	<b>Winding Thermal 1:</b>	None
		<b>Winding Thermal 2:</b>	None

Nameplate NP2094C06B03										
CAT.NO.	EHM3157T-8									
SPEC.	35VV807M921G1									
HP	2									
VOLTS	200									
AMPS	6.5									
RPM	1750									
FRAME	145T				HZ	60			PH	3
SER.F.	1.15		CODE	K	DES	B		CL	F	
NEMA-NOM-EFF	86.5		PF	77						
RATING	40C AMB-CONT									
CC	010A				USABLE AT 208V	6.5				
DE	6205				ODE	6203				
AUTO	N		MANUAL	N		NONE	Y			
ENCL	OPSB		SN							
BLANK										

Parts List		
Part Number	Description	Quantity
SA235340	SA 35VV807M921G1	1.000 EA
RA222302	RA 35VV807M921G1	1.000 EA
NS2512A01	INSULATOR, CONDUIT BOX X	1.000 EA
35CB4004A17	SHEET METAL KOBX 35 (STAMPED) 35CB4004 L	1.000 EA
51XT1032A04	10-32X1/4 HX WA SL SR TYT (F/S)	4.000 EA
11XT1032G04	10-32 X 1/4" GRD SCREW	1.000 EA
HW3001B01	BRASS CUP WASHER, FOR #10 SCREW	1.000 EA
35EP3209B00	MASTER ODE,203 BRG,GRSR,RLF	1.000 EA
HW4500A19	1/4-28X1/4 SLOTTED PLUG F/S	1.000 EA
HW4500A20	1/8NPT SL PIPE PLUG	1.000 EA
HW5100A03	WAVY WASHER (W1543-017)	1.000 EA
35EP3210D00	MASTER DE,205 BRG,GRSR,STD SH,AEGIS HALF	1.000 EA
91XN0540J08	SCREW, 5-40 X 1/2", FHC, AS	2.000 EA
HW4500A19	1/4-28X1/4 SLOTTED PLUG F/S	1.000 EA
HW4500A20	1/8NPT SL PIPE PLUG	1.000 EA
XY1032A02	10-32 HEX NUT DIRECTIONAL SERRATION	4.000 EA
35CB4509	BOX LID MODEL 35 FOR 35CB4004-GALV & PHO	1.000 EA
51XB1016A08	10-16X 1/2HXWSSLD SERTYB	4.000 EA
HW2501D13	KEY, 3/16 SQ X 1.375	1.000 EA
HA7000A01	KEY RETAINER 7/8" DIA SHAFT	1.000 EA
HA6362ZP	LIFTING LUG FOR 36 FRAME MOTORS.	2.000 EA
HW1000A10	#10 FLAT WASHER (SAE)	2.000 EA
MJ1000A02	GREASE, MOBIL POLYREX EM - 124047	0.050 LB
MG1000G27	MED CHARCOAL METALLIC GREY 400-0096	0.017 GA

<b>Parts List (continued)</b>		
<b>Part Number</b>	<b>Description</b>	<b>Quantity</b>
HA3100A17	THRUBOLT 10-32 X 9.000	4.000 EA
35AD2005A01	BAFFLE PLATE,MOD 35-SLTD BAND MTRS TDR	2.000 EA
LC0006	CONNECTION LABEL	1.000 EA
NP2094C06B03	NP LABEL W/BARCODE (FOR HVAC MOTOR)	1.000 EA
35PA1066	PKG GRP, PRINT PK1008A06	1.000 EA
MN416A01	TAG-INSTAL-MAINT no wire (2100/bx) 4/22	1.000 EA
PE-0000001	ZRTG PE ASSEMBLY	1.000 EA
FE-0000001	ZRTG FE ASSEMBLY	1.000 EA

**AC Induction Motor Performance Data**

Record # 32618

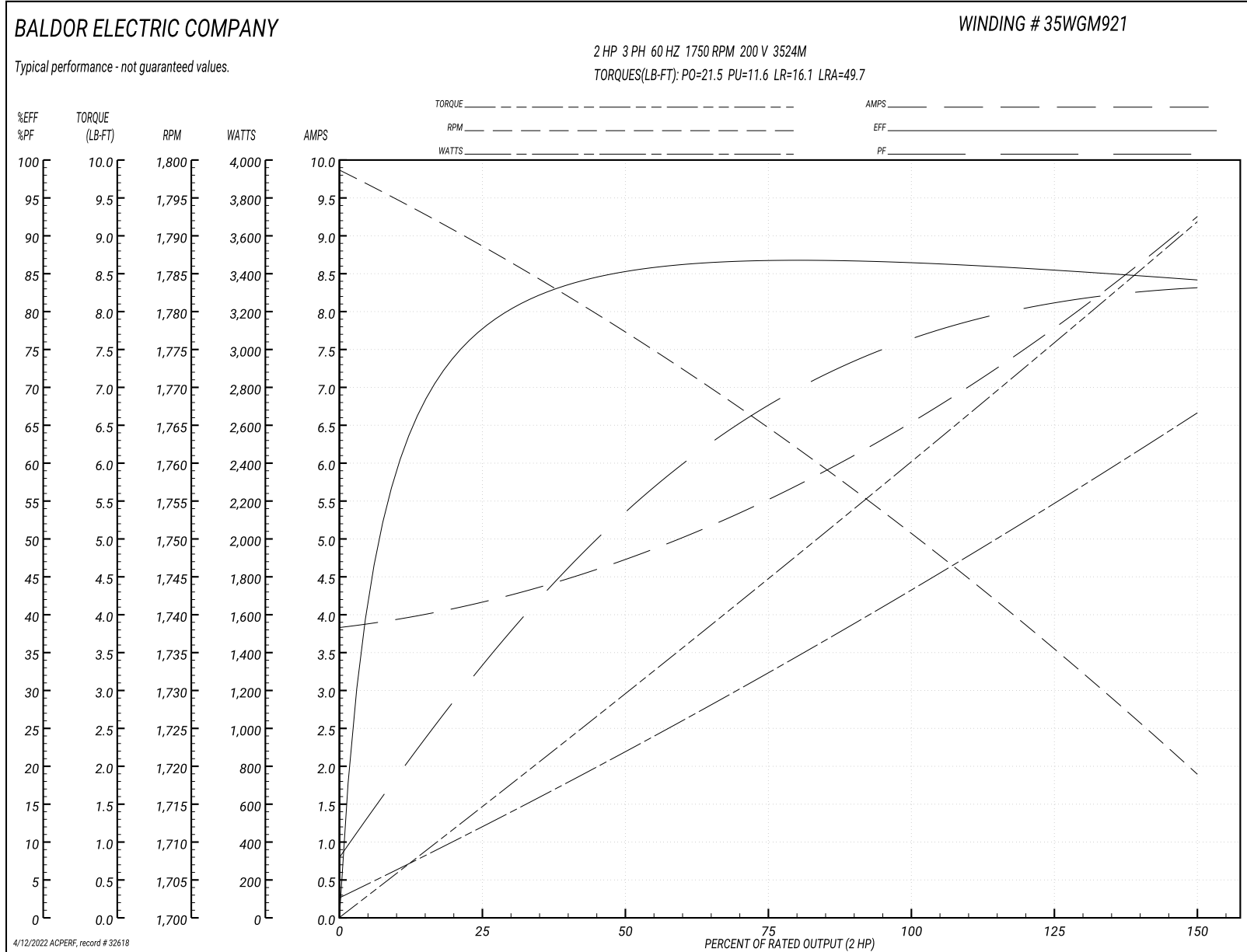
Typical performance - not guaranteed values

<b>Winding: 35WGM921-R001</b>		<b>Type: 3524M</b>		<b>Enclosure: OPSB</b>	
<b>Nameplate Data</b>			<b>200 V, 60 Hz: Single Voltage Motor</b>		
<b>Rated Output (HP)</b>	2	<b>Full Load Torque</b>	6.02 LB-FT		
<b>Volts</b>	200	<b>Start Configuration</b>	direct on line		
<b>Full Load Amps</b>	6.5	<b>Breakdown Torque</b>	21.5 LB-FT		
<b>R.P.M.</b>	1750	<b>Pull-up Torque</b>	11.6 LB-FT		
<b>Hz</b>	60 <b>Phase</b>	3	<b>Locked-rotor Torque</b>	16.1 LB-FT	
<b>NEMA Design Code</b>	<b>B KVA Code</b>	K	<b>Starting Current</b>	49.7 A	
<b>Service Factor (S.F.)</b>	1.15	<b>No-load Current</b>	3.89 A		
<b>NEMA Nom. Eff.</b>	86.5	<b>Power Factor</b>	77	<b>Line-line Res. @ 25°C</b>	1.64 Ω
<b>Rating - Duty</b>	40C AMB-CONT		<b>Temp. Rise @ Rated Load</b>	37°C	
<b>S.F. Amps</b>			<b>Temp. Rise @ S.F. Load</b>	44°C	
			<b>Locked-rotor Power Factor</b>	52.7	
			<b>Rotor inertia</b>	0.142 LB-FT <sup>2</sup>	

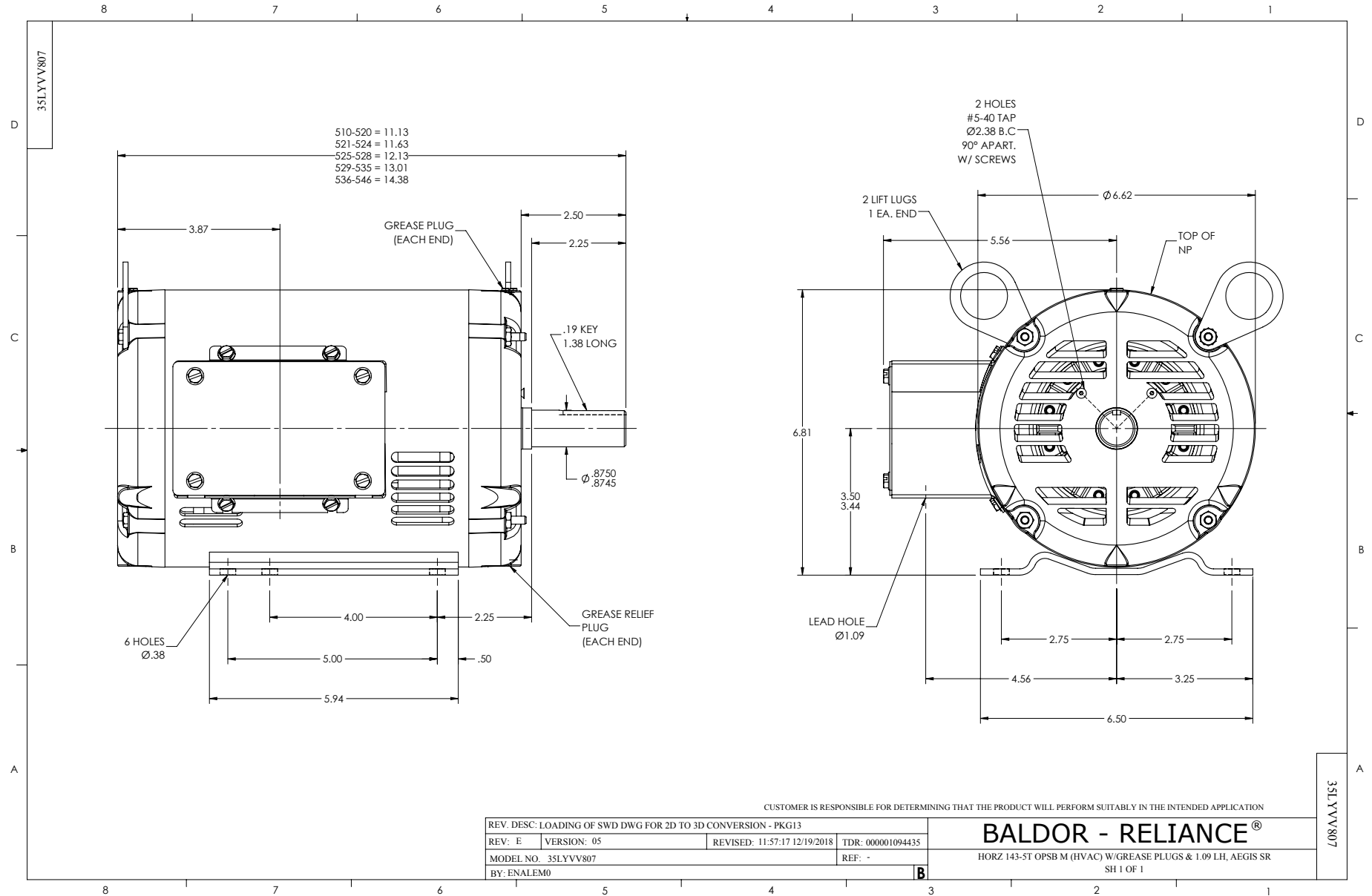
**Load Characteristics 200 V, 60 Hz, 2 HP**

<b>% of Rated Load</b>	<b>25</b>	<b>50</b>	<b>75</b>	<b>100</b>	<b>125</b>	<b>150</b>	<b>S.F.</b>
<b>Power Factor</b>	34	55	67	76	81	84	79
<b>Efficiency</b>	77.6	85	86.8	86.6	85.6	84.1	86.1
<b>Speed</b>	1788	1777	1765	1751	1735	1719	1748
<b>Line amperes</b>	4.1	4.68	5.56	6.59	7.81	9.22	7.26

Performance Graph at 200V, 60Hz, 2.0HP Typical performance - Not guaranteed values







CD0006



NOTES:

1. THREE LEAD MOTOR MAY BE EITHER WYE CONNECTED OR DELTA CONNECTED.
2. INTERCHANGE ANY TWO LINE LEADS TO REVERSE ROTATION.
3. OPTIONAL THERMOSTATS ARE PROVIDED WHEN SPECIFIED.
4. ACTUAL NUMBER OF INTERNAL PARALLEL CIRCUITS MAY VARY.
5. LEAD COLORS ARE OPTIONAL. LEADS MUST BE NUMBERED AS SHOWN.

CD0006

REV. DESC: ADD CLASS CONN00000007		
REV. LTR: E	VERSION: 01	TDR: 000001099922
FILE: \AAA\00005\141	REVISED: 10:24:49 02/19/2019	BY: ENBRIRO
MTL: -	© □	

**BALDOR - RELIANCE®**

3PH, SV, 3 LEADS, WYE OR DELTA CONNECTED

SH 1 of 1