

**BALDOR® • RELIANCE** 

**Product Information Packet**

**EHM3710T-5**

**7.5HP, 1770RPM, 3PH, 60HZ, 213T, 3738M, TEFC, F**

Part Detail							
Revision:	D	Status:	PRD/A	Change #:		Proprietary:	No
Type:	AC	Elec. Spec:	37WGR907	CD Diagram:	CD0006	Mfg Plant:	
Mech. Spec:	37J543	Layout:	37LYJ543	Poles:	04	Created Date:	12-09-2015
Base:	RG	Eff. Date:	07-08-2020	Leads:	3#14		

Specs			
Catalog Number:	EHM3710T-5	KVA Code:	J
Enclosure:	TEFC	Lifting Lugs:	Standard Lifting Lugs
Frame:	213T	Locked Bearing Indicator:	No Locked Bearing
Frame Material:	Steel	Motor Lead Quantity/Wire Size:	3 @ 14 AWG
Output @ Frequency:	7.500 HP @ 60 HZ	Motor Lead Exit:	Ko Box
Synchronous Speed @ Frequency:	1800 RPM @ 60 HZ	Motor Lead Termination:	Flying Leads
Voltage @ Frequency:	575.0 V @ 60 HZ	Motor Type:	3738M
XP Class and Group:	None	Mounting Arrangement:	F1
XP Division:	Not Applicable	Power Factor:	82
Agency Approvals:	UR	Product Family:	General Purpose
	CSA	Pulley End Bearing Type:	Sealed Bearing
Auxillary Box:	No Auxillary Box	Pulley Face Code:	Standard
Auxillary Box Lead Termination:	None	Pulley Shaft Indicator:	Standard
Base Indicator:	Rigid	Rodent Screen:	None
Bearing Grease Type:	Polyrex EM (-20F +300F)	RoHS Status:	ROHS COMPLIANT
Blower:	None	Shaft Extension Location:	Pulley End
Current @ Voltage:	7.600 A @ 575.0 V	Shaft Ground Indicator:	No Shaft Grounding
Design Code:	A	Shaft Rotation:	Reversible

<b>Drip Cover:</b>	No Drip Cover	<b>Shaft Slinger Indicator:</b>	No Slinger
<b>Duty Rating:</b>	CONT	<b>Speed Code:</b>	Single Speed
<b>Electrically Isolated Bearing:</b>	Not Electrically Isolated	<b>Motor Standards:</b>	NEMA
<b>Feedback Device:</b>	NO FEEDBACK	<b>Starting Method:</b>	Direct on line
<b>Front Face Code:</b>	Standard	<b>Thermal Device - Bearing:</b>	None
<b>Front Shaft Indicator:</b>	None	<b>Thermal Device - Winding:</b>	None
<b>Heater Indicator:</b>	No Heater	<b>Vibration Sensor Indicator:</b>	No Vibration Sensor
<b>Insulation Class:</b>	F	<b>Winding Thermal 1:</b>	None
<b>Inverter Code:</b>	Inverter Ready	<b>Winding Thermal 2:</b>	None

Nameplate NP2094E06B03	
CAT.NO.	EHM3710T-5
SPEC.	37J543R907G1
HP	7.5
VOLTS	575
AMPS	7.6
RPM	1770
FRAME	213T
	HZ 60
	PH 3
SER.F.	1.15
	CODE J
	DES A
	CL F
NEMA-NOM-EFF	91.7
	PF 82
RATING	40C AMB-CONT
CC	010A
	USABLE AT 208V
DE	6307
	ODE 6206
AUTO	N
	MANUAL N
	NONE Y
ENCL	TEFC
	SN
BLANK	

Parts List		
Part Number	Description	Quantity
SA311804	SA 37J543R907G1	1.000 EA
RA299237	RA 37J543R907G1	1.000 EA
37FN3002C01	EXFN, PLASTIC, 6.00 OD, 1.155 ID	1.000 EA
HW3200A01	3/8-16X3/4 I-BLT WELDED F/S	1.000 EA
37CB3006	37 CB CASTING W/1.38 LEAD HOLE @ 6:00	1.000 EA
37GS1000SP	GASKET, CONDUIT BOX STD., .06 THICK LEXI	1.000 EA
51XW2520A12	.25-20 X .75, TAPTITE II, HEX WSHR SLTD	2.000 EA
11XW1032G06	10-32 X .38, TAPTITE II, HEX WSHR SLTD U	1.000 EA
37EP3101A01	FR ENDPLATE, FOR ROUTING PURPOSES	1.000 EA
HW4500A19	1/4-28X1/4 SLOTTED PLUG F/S	1.000 EA
HW5100A06	W2420-025 WVY WSHR (WB)	1.000 EA
37EP3100B20	PUEP ENCL "T"-307 BRG, W/GRSR	1.000 EA
91XN0540J08	SCREW, 5-40 X 1/2", FHC, AS	4.000 EA
HW4500A19	1/4-28X1/4 SLOTTED PLUG F/S	1.000 EA
XY3118A12	5/16-18 HEX NUT DIRECTIONAL SERRATION	4.000 EA
51XB1214A20	12-14X1.25 HXWSSLD SERTYB	1.000 EA
07FH4007SP	PRIMED	1.000 EA
51XW1032A06	10-32 X .38, TAPTITE II, HEX WSHR SLTD S	3.000 EA
37CB4516	LIPPED LID FOR 37 FRAME NEC KOBX	1.000 EA
37GS1008	37 GS FOR CB LID - LEXIDE	1.000 EA
51XW0832A07	8-32 X .44, TAPTITE II, HEX WSHR SLTD SE	4.000 EA
HW2501F21	KEY, 5/16 SQ X 2.375	1.000 EA
HA7000A02	KEY RETAINER RING, 1 1/8 DIA, 1 3/8 DIA	1.000 EA
MJ1000A02	GREASE, MOBIL POLYREX EM - 124047	0.050 LB

<b>Parts List (continued)</b>		
<b>Part Number</b>	<b>Description</b>	<b>Quantity</b>
MG1000G27	MED CHARCOAL METALLIC GREY 400-0096	0.028 GA
HA3104A17	5/16-18X13.250 T-BLT/OHIO	4.000 EA
LC0006	CONNECTION LABEL	1.000 EA
NP2094E06B03	NP LABEL W/BARCODE (PREM EFF HVAC MTR)	1.000 EA
37PA1074	PALLET PACK GRP, PRINT BOX PK1026A06	1.000 EA
MN416A01	TAG-INSTAL-MAINT no wire (2100/bx) 4/22	1.000 EA

**AC Induction Motor Performance Data**

Record # 54313

Typical performance - not guaranteed values

<b>Winding: 37WGR907-R004</b>		<b>Type: 3738M</b>		<b>Enclosure: TEFC</b>	
<b>Nameplate Data</b>			<b>575 V, 60 Hz: Single Voltage Motor</b>		
<b>Rated Output (HP)</b>	7.5	<b>Full Load Torque</b>	22.2 LB-FT		
<b>Volts</b>	575	<b>Start Configuration</b>	direct on line		
<b>Full Load Amps</b>	7.6	<b>Breakdown Torque</b>	71 LB-FT		
<b>R.P.M.</b>	1770	<b>Pull-up Torque</b>	32.6 LB-FT		
<b>Hz</b>	60 <b>Phase</b>	3	<b>Locked-rotor Torque</b>	43 LB-FT	
<b>NEMA Design Code</b>	A <b>KVA Code</b>	J	<b>Starting Current</b>	56.9 A	
<b>Service Factor (S.F.)</b>	1.15	<b>No-load Current</b>	3.48 A		
<b>NEMA Nom. Eff.</b>	91.7 <b>Power Factor</b>	82	<b>Line-line Res. @ 25°C</b>	2.22 Ω	
<b>Rating - Duty</b>	40C AMB-CONT		<b>Temp. Rise @ Rated Load</b>	63°C	
<b>S.F. Amps</b>			<b>Temp. Rise @ S.F. Load</b>	77°C	
			<b>Locked-rotor Power Factor</b>	37.3	
			<b>Rotor inertia</b>	0.934 LB-FT <sup>2</sup>	

**Load Characteristics 575 V, 60 Hz, 7.5 HP**

<b>% of Rated Load</b>	<b>25</b>	<b>50</b>	<b>75</b>	<b>100</b>	<b>125</b>	<b>150</b>	<b>S.F.</b>
<b>Power Factor</b>	42	63	75	80	83	84	82
<b>Efficiency</b>	87.1	91.7	91.9	92.1	91	89.9	91.4
<b>Speed</b>	1793	1786	1778	1770	1760	1750	1764
<b>Line amperes</b>	3.9	4.84	6.1	7.61	9.29	11.1	8.62

Performance Graph at 575V, 60Hz, 7.5HP Typical performance - Not guaranteed values

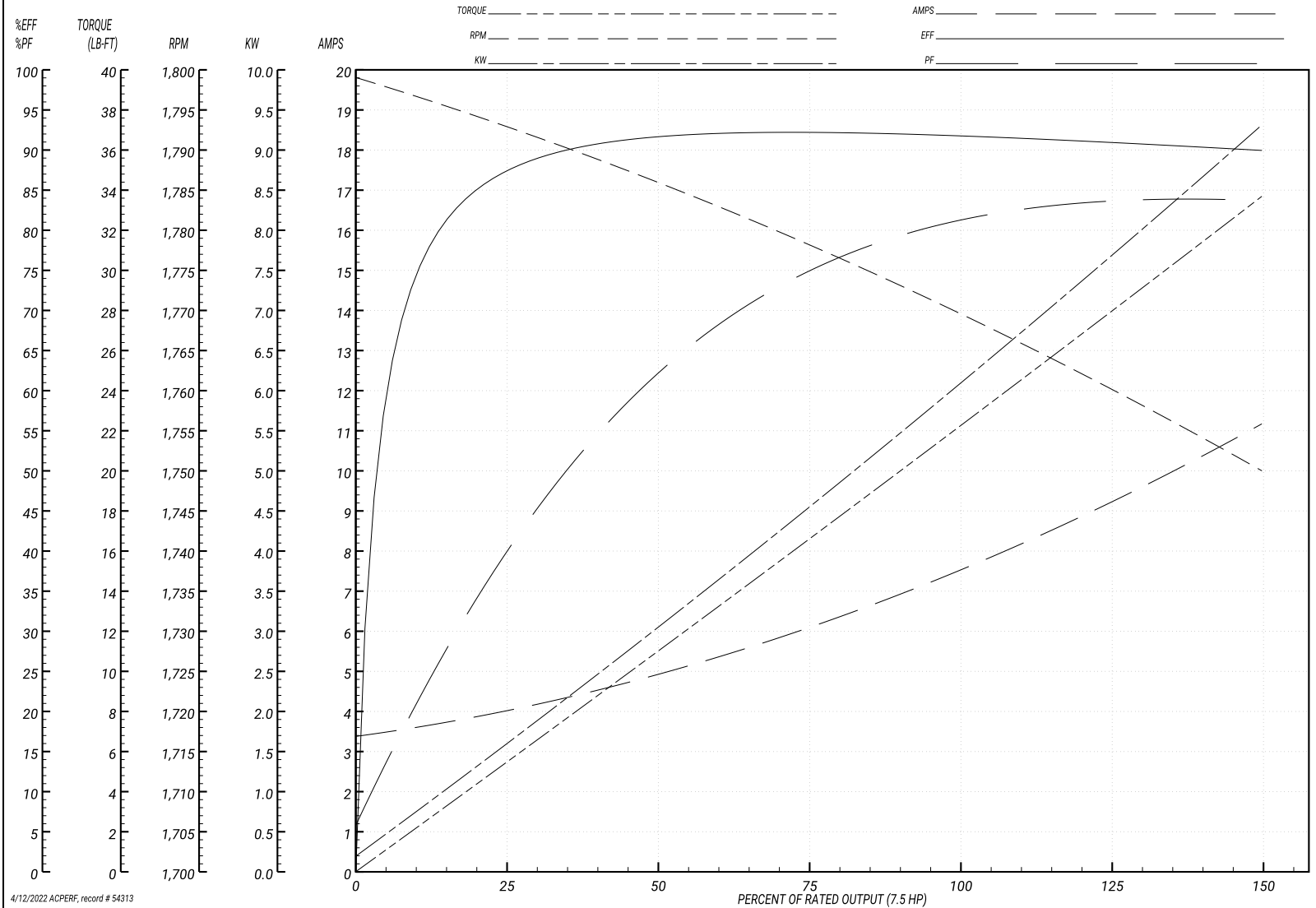
**BALDOR ELECTRIC COMPANY**

WINDING # 37WGR907

Typical performance - not guaranteed values.

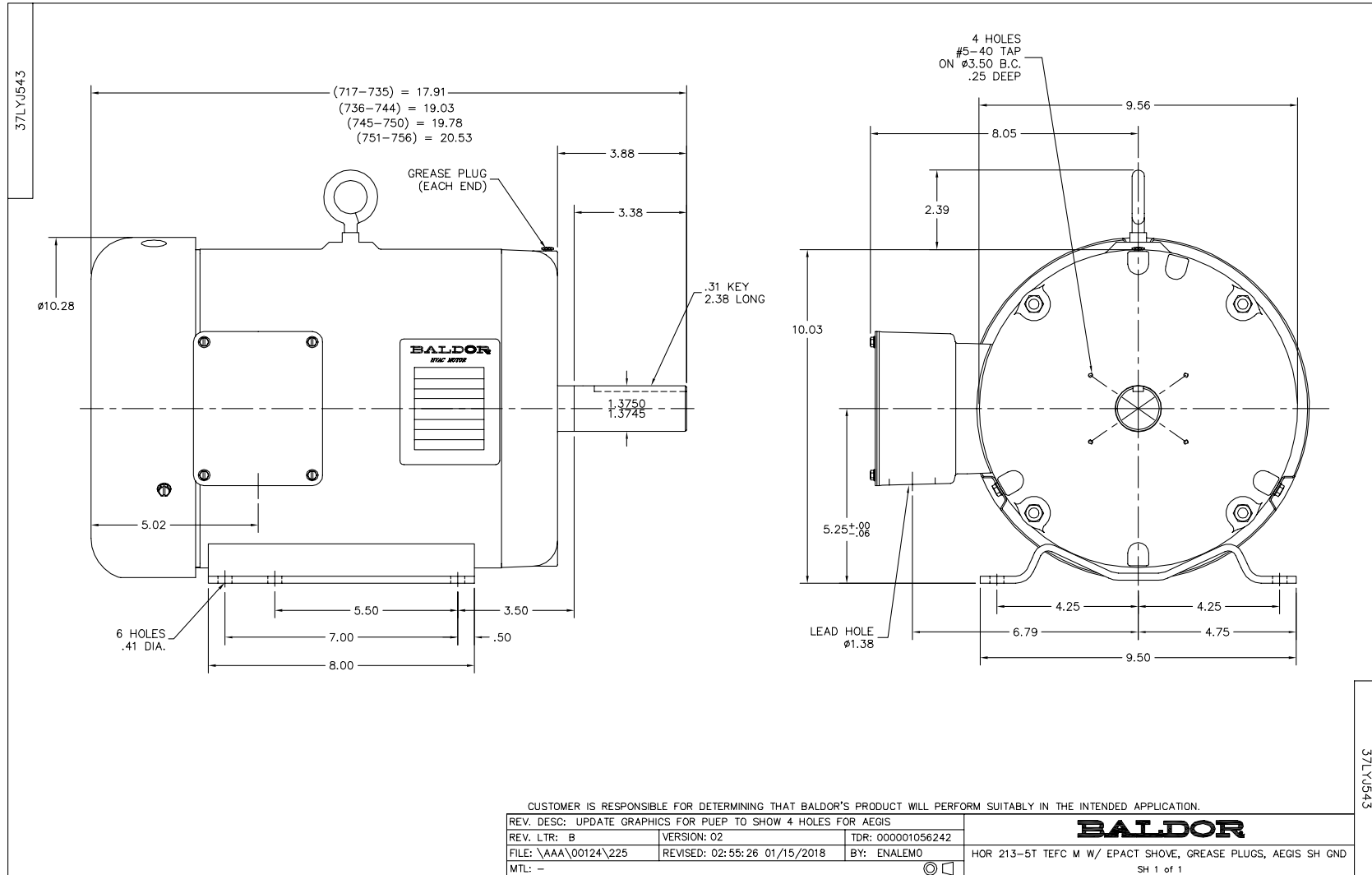
7.5 HP 3 PH 60 HZ 1770 RPM 575 V 3738M

TORQUES(LB-FT): PO=71 PU=32.6 LR=43 LRA=56.9



4/12/2022 ACPERF, record # 54313





CD0006



NOTES:

1. THREE LEAD MOTOR MAY BE EITHER WYE CONNECTED OR DELTA CONNECTED.
2. INTERCHANGE ANY TWO LINE LEADS TO REVERSE ROTATION.
3. OPTIONAL THERMOSTATS ARE PROVIDED WHEN SPECIFIED.
4. ACTUAL NUMBER OF INTERNAL PARALLEL CIRCUITS MAY VARY.
5. LEAD COLORS ARE OPTIONAL. LEADS MUST BE NUMBERED AS SHOWN.

CD0006

REV. DESC: ADD CLASS CONN00000007		
REV. LTR: E	VERSION: 01	TDR: 000001099922
FILE: \AAA\00005\141	REVISED: 10:24:49 02/19/2019	BY: ENBRIRO
MTL: -	© □	

**BALDOR - RELIANCE®**

3PH, SV, 3 LEADS, WYE OR DELTA CONNECTED

SH 1 of 1