

**BALDOR® • RELIANCE** 

**Product Information Packet**

**EJMM2531T**

**25HP,1775RPM,3PH,60HZ,284JM,4050M,OPSB,F**

Part Detail							
Revision:	A	Status:	PRD/A	Change #:		Proprietary:	No
Type:	AC	Elec. Spec:	40WGx806	CD Diagram:	CD0005	Mfg Plant:	
Mech. Spec:	40E211	Layout:	40LYE211	Poles:	04	Created Date:	02-10-2021
Base:	RG	Eff. Date:	01-31-2022	Leads:	9#10		

Specs			
Catalog Number:	EJMM2531T	Insulation Class:	F
Enclosure:	OPSB	Inverter Code:	Inverter Ready
Frame:	284JM	KVA Code:	G
Frame Material:	Steel	Lifting Lugs:	Standard Lifting Lugs
Output @ Frequency:	25.000 HP @ 60 HZ	Locked Bearing Indicator:	Locked Bearing
Synchronous Speed @ Frequency:	1800 RPM @ 60 HZ	Motor Lead Quantity/Wire Size:	9 @ 10 AWG
Voltage @ Frequency:	460.0 V @ 60 HZ	Motor Lead Exit:	Ko Box
	230.0 V @ 60 HZ	Motor Lead Termination:	Flying Leads
Agency Approvals:	CSA	Motor Type:	4050M
	CSA EEV	Mounting Arrangement:	F1
	UR	Power Factor:	82
Auxillary Box:	No Auxillary Box	Product Family:	General Purpose
Auxillary Box Lead Termination:	None	Pulley End Bearing Type:	Ball
Base Indicator:	Rigid	Pulley Face Code:	C-Face
Bearing Grease Type:	Polyrex EM (-20F +300F)	Pulley Shaft Indicator:	Tapped & Key
Blower:	None	Rodent Screen:	Included
Current @ Voltage:	64.000 A @ 208.0 V	Shaft Extension Location:	Pulley End
	60.000 A @ 230.0 V	Shaft Ground Indicator:	No Shaft Grounding

	30.000 A @ 460.0 V	<b>Shaft Rotation:</b>	Reversible
<b>Design Code:</b>	A	<b>Shaft Slinger Indicator:</b>	Shaft Slinger
<b>Drip Cover:</b>	No Drip Cover	<b>Speed Code:</b>	Single Speed
<b>Duty Rating:</b>	CONT	<b>Motor Standards:</b>	NEMA
<b>Electrically Isolated Bearing:</b>	Not Electrically Isolated	<b>Starting Method:</b>	Direct on line
<b>Feedback Device:</b>	NO FEEDBACK	<b>Thermal Device - Bearing:</b>	None
<b>Front Face Code:</b>	Standard	<b>Thermal Device - Winding:</b>	None
<b>Front Shaft Indicator:</b>	None	<b>Vibration Sensor Indicator:</b>	No Vibration Sensor
<b>Heater Indicator:</b>	No Heater	<b>Winding Thermal 1:</b>	None
		<b>Winding Thermal 2:</b>	None

Nameplate NP2138LUA												
CAT.NO.	EJMM2531T			P/N				ENCLOSURE	OPSB			
SPEC.	40E211X806		CC	010A		FRAME	284JM		S/N			
HP	25			CLASS	F		HZ	60				
RPM	1775			PH	3		DES	A				
VOLT	230/460			KVA-CODE	G		ODE BRG	6309		DE BRG	6312	
AMP	60/30			USABLE AT 208V	64							
RATING	40C AMB-CONT			GREASE	POLYREX EM							
NEMA-NOM-EFF	93.6		PF	82		SER.F.	1.15					
HTR-VOLTS	50HZ 25HP 190/380V 72/36A							SF1.0				
	HTR-AMPS											

Parts List		
Part Number	Description	Quantity
SA390490	SA 40E211X806	1.000 EA
RA380941	RA 40E211X806	1.000 EA
HA6017	CAST ADAPTER, 40,42 KOBX	1.000 EA
19XW3118A12	.31-18 X .75 HEX WASHER HEAD TAPTITE II	2.000 EA
HW1001A31	LOCKWASHER 5/16, ZINC PLT.591 OD, .319 I	2.000 EA
10CB3000SP	KOBX, CAST W/2.00 LEAD HOLE	1.000 EA
19XW3118A12	.31-18 X .75 HEX WASHER HEAD TAPTITE II	4.000 EA
HW1001A31	LOCKWASHER 5/16, ZINC PLT.591 OD, .319 I	4.000 EA
WD1000B25	GND LUG, BURNDY L125HP OR T&B L125HP-BB	1.000 EA
19XW3118G08	.31-18X.50,HEX WSHR HD,TAPTITE 2,GREEN	1.000 EA
40EP3200A02	STD FREP OPEN 309 BRG	1.000 EA
HA1166A06	RODENT SCREEN FOR 40 ENDPLATE 40EP3200.	1.000 EA
51XW1032A06	10-32 X .38, TAPTITE II, HEX WSHR SLTD S	4.000 EA
HW5100A11	W3917-042 WVY WSHR (WB)	1.000 EA
40EP1300A07	PU ENDPLATE, MACH	1.000 EA
HA1166A02	RODENT SCREEN FOR 40 ENDPLATE 40EP1300A.	1.000 EA
51XW1032A06	10-32 X .38, TAPTITE II, HEX WSHR SLTD S	4.000 EA
10XN3118K40	5/16-18 X 2.50" HEX HD, GRADE 5	4.000 EA
HW1001A31	LOCKWASHER 5/16, ZINC PLT.591 OD, .319 I	4.000 EA
10CB3500SP	CONDUIT BOX LID, CAST	1.000 EA
51XW2520A12	.25-20 X .75, TAPTITE II, HEX WSHR SLTD	4.000 EA
HW4600B41	V-RING SLINGER 2.125 X 2.880 X 0.280	1.000 EA
HW2501E22	KEY, 1/4 SQ X 2.500	1.000 EA
LB1115N	LABEL,LIFTING DEVICE (ON ROLLS)	1.000 EA

<b>Parts List (continued)</b>		
<b>Part Number</b>	<b>Description</b>	<b>Quantity</b>
HW4500A03	GREASE FITTING, .125 NPT 1610(ALEMITE) 8	1.000 EA
HW4500A17	317400 ALEMITE GREASE RELIEF	1.000 EA
HA4051A00	PLASTIC CAP FOR GREASE FITTING	1.000 EA
MJ1000A02	GREASE, MOBIL POLYREX EM - 124047	0.050 LB
HW4500A03	GREASE FITTING, .125 NPT 1610(ALEMITE) 8	1.000 EA
HW4500A17	317400 ALEMITE GREASE RELIEF	1.000 EA
HA4051A00	PLASTIC CAP FOR GREASE FITTING	1.000 EA
MG1000Y03	MUNSELL 2.53Y 6.70/ 4.60, GLOSS 20,	0.070 GA
85XU0407S04	4X1/4 U DRIVE PIN STAINLESS	4.000 EA
40AD2002A01	LEXAN BAFFLE 40 FR OPEN	1.000 EA
40AD2002A01	LEXAN BAFFLE 40 FR OPEN	1.000 EA
HA3113A11	THRUBOLT 3/8 - 16 X 18.375	4.000 EA
LB1119N	WARNING LABEL	1.000 EA
LC0005	CONN.DIA.,TY M,9-LD,DUAL VOLT,REVERSING	1.000 EA
NP2138LUA	ALUM SUPER-E UL CSA-EEV PREM CC (300SER)	1.000 EA
40PA1000	PACKAGING GROUP	1.000 EA
MN416A01	TAG-INSTAL-MAINT no wire (2100/bx) 4/22	1.000 EA

**AC Induction Motor Performance Data**

Record # 86783

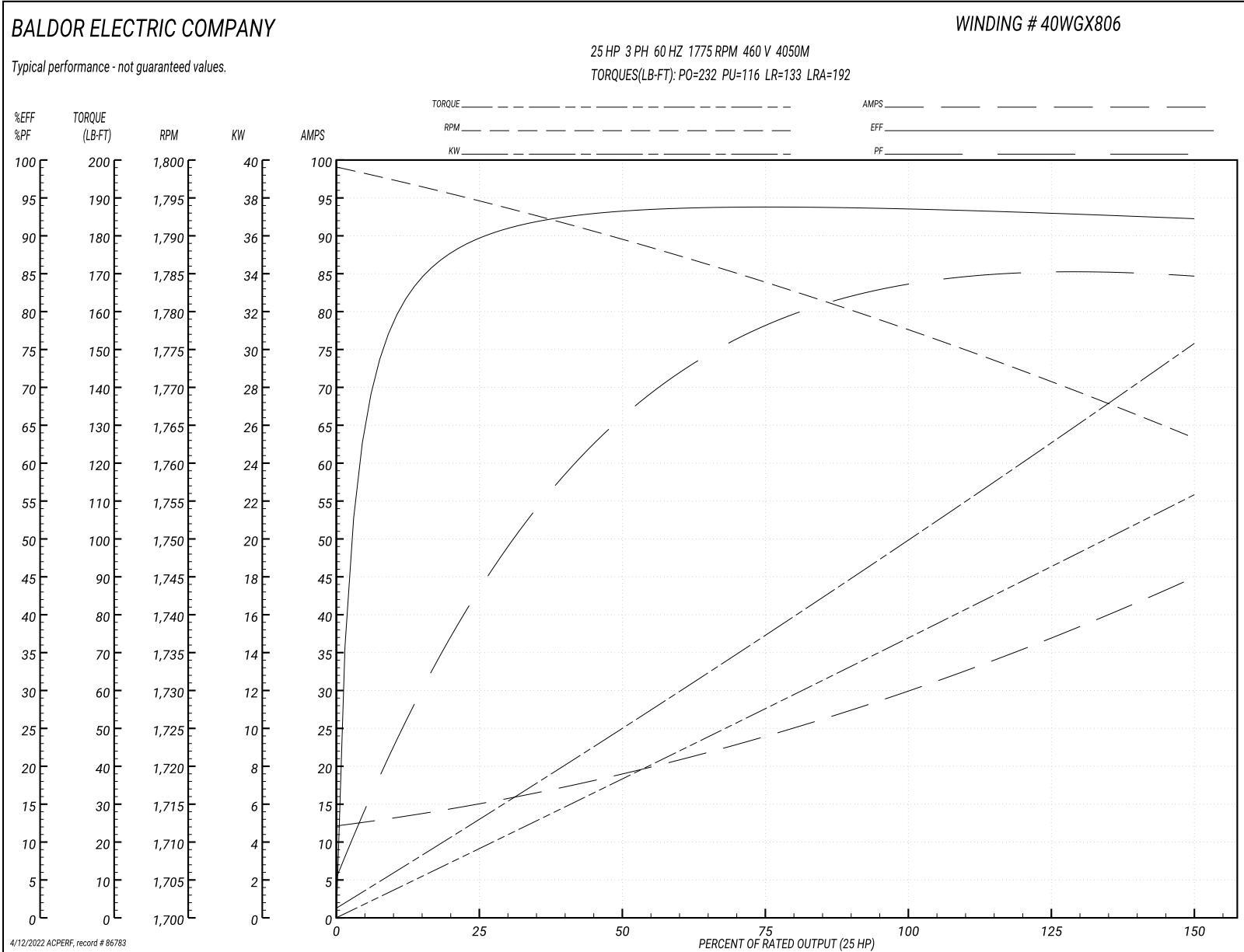
Typical performance - not guaranteed values

<b>Winding: 40WGx806-R001</b>		<b>Type: 4050M</b>		<b>Enclosure: OPSB</b>			
<b>Nameplate Data</b>			<b>460 V, 60 Hz: High Voltage Connection</b>				
<b>Rated Output (HP)</b>	25	<b>Full Load Torque</b>	73.81 LB-FT				
<b>Volts</b>	230/460	<b>Start Configuration</b>	direct on line				
<b>Full Load Amps</b>	60/30	<b>Breakdown Torque</b>	232 LB-FT				
<b>R.P.M.</b>	1775	<b>Pull-up Torque</b>	116 LB-FT				
<b>Hz</b>	60 <b>Phase</b>	3	<b>Locked-rotor Torque</b>	133 LB-FT			
<b>NEMA Design Code</b>	A	<b>KVA Code</b>	G	<b>Starting Current</b>	192 A		
<b>Service Factor (S.F.)</b>	1.15		<b>No-load Current</b>	12.6 A			
<b>NEMA Nom. Eff.</b>	93.6	<b>Power Factor</b>	82	<b>Line-line Res. @ 25°C</b>	0.35407 Ω		
<b>Rating - Duty</b>	40C AMB-CONT		<b>Temp. Rise @ Rated Load</b>	28°C			
<b>S.F. Amps</b>			<b>Temp. Rise @ S.F. Load</b>	34°C			
			<b>Locked-rotor Power Factor</b>	35			

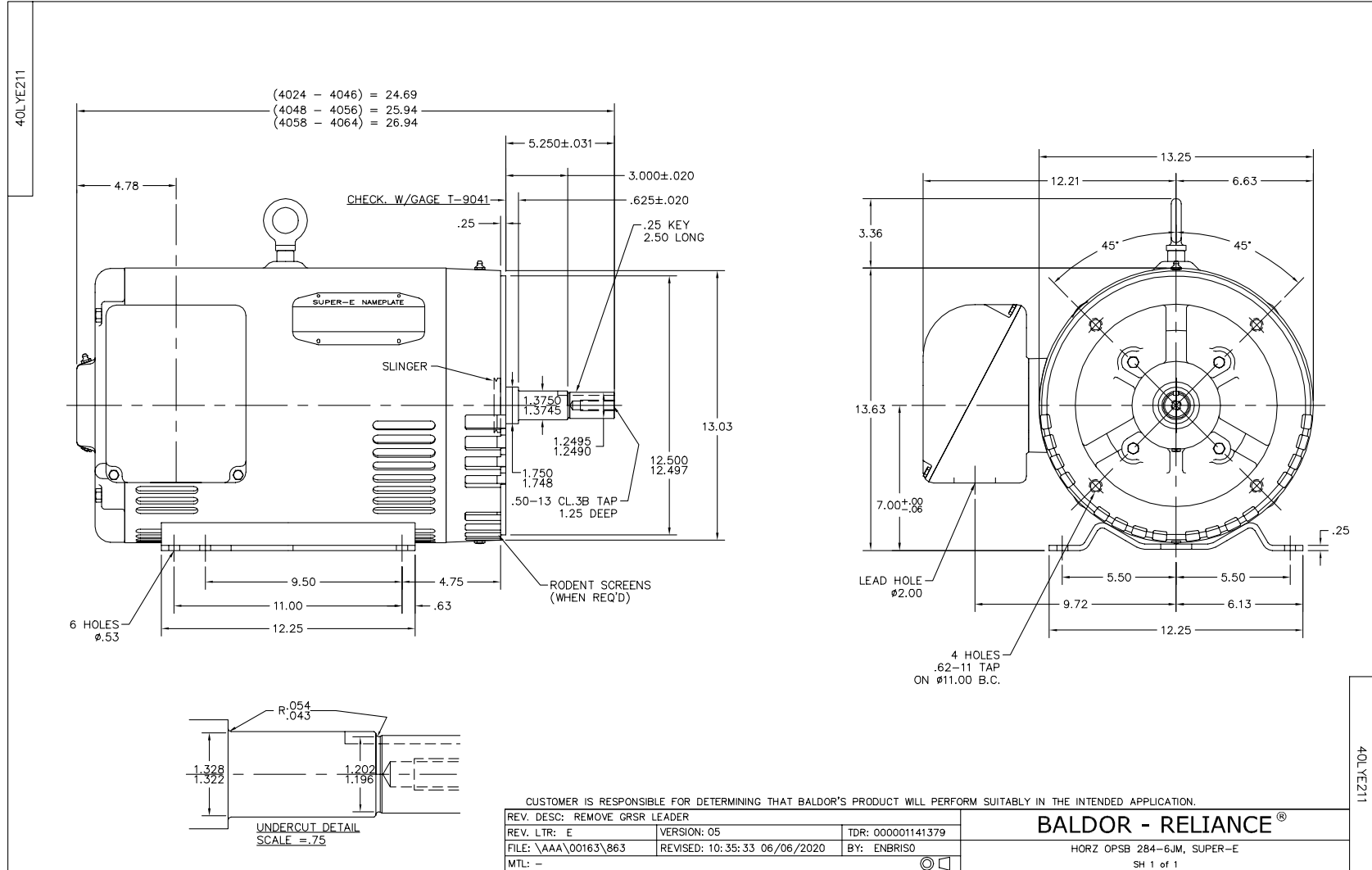
**Load Characteristics 460 V, 60 Hz, 25 HP**

<b>% of Rated Load</b>	<b>25</b>	<b>50</b>	<b>75</b>	<b>100</b>	<b>125</b>	<b>150</b>	<b>S.F.</b>
<b>Power Factor</b>	45	67	78	82	85	85	84
<b>Efficiency</b>	89.4	93.1	93.8	93.6	93	92.1	93.2
<b>Speed</b>	1794.8	1789.5	1783.7	1777.6	1771	1763.2	1774
<b>Line amperes</b>	14.5	18.6	24.1	30.3	37.2	44.6	34.4

Performance Graph at 460V, 60Hz, 25.0HP Typical performance - Not guaranteed values







CD0005



LOW VOLTAGE  
(2Y)



LINE

HIGH VOLTAGE  
(1Y)



LINE

NOTES:

1. INTERCHANGE ANY TWO LINE LEADS TO REVERSE ROTATION.
2. OPTIONAL THERMOSTATS ARE PROVIDED WHEN SPECIFIED.
3. ACTUAL NUMBER OF INTERNAL PARALLEL CIRCUITS MAY BE A MULTIPLE OF THOSE SHOWN ABOVE.
4. LEAD COLORS ARE OPTIONAL. LEADS MUST ALWAYS BE NUMBERED AS SHOWN.

REV. DESC: REVISE TO SHOW OPTIONAL COLORS			
REV. LTR: E	BY: JLP	REVISED: 01/19/99 10:15	TDR: 0171435
9000D		FILE: AAA00005140	MDL: -
		MTL: -	

**BALDOR ELECTRIC Co.**

3PH, DV, 9 LEADS

CD0005

Marketing maintained PDF of MN416:

<http://www.baldor.com/support/Literature/Load.ashx/MN416?ManNumber=MN416>