

BALDOR® • RELIANCE 

Product Information Packet

EJMM2534T-G

40M 2P OPSB HOR 284JM SE

| Part Detail | | | | | | | |
|-------------|--------|-------------|------------|-------------|--------|---------------|------------|
| Revision: | B | Status: | PRD/A | Change #: | | Proprietary: | No |
| Type: | AC | Elec. Spec: | 40WGX193 | CD Diagram: | CD0180 | Mfg Plant: | |
| Mech. Spec: | 40E283 | Layout: | 40LYE283 | Poles: | 02 | Created Date: | 04-03-2019 |
| Base: | RG | Eff. Date: | 05-14-2019 | Leads: | 9#8 | | |

| Specs | | | |
|---------------------------------|-------------------------|--------------------------------|-----------------------|
| Catalog Number: | EJMM2534T-G | Insulation Class: | F |
| Enclosure: | OPSB | Inverter Code: | Inverter Ready |
| Frame: | 284JM | IP Rating: | IP23 |
| Frame Material: | Steel | KVA Code: | H |
| Output @ Frequency: | 30.000 HP @ 60 HZ | Lifting Lugs: | Standard Lifting Lugs |
| Synchronous Speed @ Frequency: | 3600 RPM @ 60 HZ | Locked Bearing Indicator: | Locked Bearing |
| Voltage @ Frequency: | 230.0 V @ 60 HZ | Motor Lead Quantity/Wire Size: | 9 @ 8 AWG |
| | 460.0 V @ 60 HZ | Motor Lead Termination: | Flying Leads |
| Agency Approvals: | CSA | Motor Type: | 4040M |
| | CSA EEV | Mounting Arrangement: | F1 |
| | UR | Power Factor: | 87 |
| Auxillary Box: | No Auxillary Box | Product Family: | General Purpose |
| Auxillary Box Lead Termination: | None | Pulley End Bearing Type: | Ball |
| Base Indicator: | Rigid | Pulley Face Code: | C-Face |
| Bearing Grease Type: | Polyrex EM (-20F +300F) | Pulley Shaft Indicator: | Tapped & Key |
| Blower: | None | Rodent Screen: | Included |
| Current @ Voltage: | 35.000 A @ 460.0 V | Shaft Ground Indicator: | Shaft Grounding |
| | 70.000 A @ 230.0 V | Shaft Rotation: | Reversible |

| | | | |
|---------------------------------------|---------------------------|------------------------------------|---------------------|
| | 76.000 A @ 208.0 V | Shaft Slinger Indicator: | Shaft Slinger |
| Design Code: | A | Speed Code: | Single Speed |
| Drip Cover: | No Drip Cover | Motor Standards: | NEMA |
| Duty Rating: | CONT | Starting Method: | Direct on line |
| Electrically Isolated Bearing: | Not Electrically Isolated | Thermal Device - Bearing: | None |
| Feedback Device: | NO FEEDBACK | Thermal Device - Winding: | None |
| Front Shaft Indicator: | None | Vibration Sensor Indicator: | No Vibration Sensor |
| Heater Indicator: | No Heater | Winding Thermal 1: | None |
| | | Winding Thermal 2: | None |

| Nameplate NP3554LUA | | | | | | | | | | | |
|---------------------|---------------------------|--|----------------|--------------|-------|-------------------------|---------|--------------|---------|--------|------|
| CAT.NO. | EJMM2534T-G | | | P/N | | | | ENCL | OPSB | | |
| SPEC. | 40E283X193G1 | | CC | 010A | | FRAME | 284JM | | SER.NO. | | |
| HP | 30 | | CLASS | F | | HZ | 60 | | | | |
| RPM | 3530 | | PH | 3 | | DES | A | | | | |
| VOLTS | 230/460 | | | CODE | H | | ODE BRG | 6309 | | DE BRG | 6312 |
| AMPS | 70/35 | | USABLE AT 208V | 76 | | | | | | | |
| RATING | 40C AMB-CONT | | | NEMA-NOM-EFF | 91.7 | | GREASE | POLYREX EM | | | |
| PF | 87 | | SER.F. | 1.15 | | CT30-60(2:1) | | VT3-60(20:1) | | | |
| USABLE AT | 50HZ 30HP 190/380V 84/42A | | | | SF1.0 | | | | | | |
| HTR-VOLTS | | | HTR-AMPS | | | MAX. SPACE HEATER TEMP. | | | | | |

| Parts List | | |
|-------------|--|----------|
| Part Number | Description | Quantity |
| SA368061 | SA 40E283X193G1 | 1.000 EA |
| RA357550 | RA 40E283X193G1 | 1.000 EA |
| HA6017 | CAST ADAPTER, 40,42 KOBX | 1.000 EA |
| 19XW3118A12 | .31-18 X .75 HEX WASHER HEAD TAPTITE II | 2.000 EA |
| HW1001A31 | LOCKWASHER 5/16, ZINC PLT.591 OD, .319 I | 2.000 EA |
| 10CB3000SP | KOBX, CAST W/2.00 LEAD HOLE | 1.000 EA |
| 19XW3118A12 | .31-18 X .75 HEX WASHER HEAD TAPTITE II | 4.000 EA |
| HW1001A31 | LOCKWASHER 5/16, ZINC PLT.591 OD, .319 I | 4.000 EA |
| WD1000B25 | GND LUG, BURNDY L125HP OR T&B L125HP-BB | 1.000 EA |
| 19XW3118G08 | .31-18X.50,HEX WSHR HD,TAPTITE 2,GREEN | 1.000 EA |
| 40EP3200A02 | STD FREP OPEN 309 BRG | 1.000 EA |
| HA1166A06 | RODENT SCREEN FOR 40 ENDPLATE 40EP3200. | 1.000 EA |
| 51XW1032A06 | 10-32 X .38, TAPTITE II, HEX WSHR SLTD S | 4.000 EA |
| HW5100A11 | W3917-042 WVY WSHR (WB) | 1.000 EA |
| 40EP1300A07 | PU ENDPLATE, MACH | 1.000 EA |
| HA1166A02 | RODENT SCREEN FOR 40 ENDPLATE 40EP1300A. | 1.000 EA |
| 51XW1032A06 | 10-32 X .38, TAPTITE II, HEX WSHR SLTD S | 4.000 EA |
| 10XN3118K40 | 5/16-18 X 2.50" HEX HD, GRADE 5 | 4.000 EA |
| HW1001A31 | LOCKWASHER 5/16, ZINC PLT.591 OD, .319 I | 4.000 EA |
| 10CB3500SP | CONDUIT BOX LID, CAST | 1.000 EA |
| 51XW2520A12 | .25-20 X .75, TAPTITE II, HEX WSHR SLTD | 4.000 EA |
| HW4600B41 | V-RING SLINGER 2.125 X 2.880 X 0.280 | 1.000 EA |
| HW2501E22 | KEY, 1/4 SQ X 2.500 | 1.000 EA |
| LB1115N | LABEL,LIFTING DEVICE (ON ROLLS) | 1.000 EA |

| Parts List (continued) | | |
|------------------------|--|----------|
| Part Number | Description | Quantity |
| 40AD2002B01 | LEXAN BAFFLE 40 FR OPEN | 1.000 EA |
| HA4051A00 | PLASTIC CAP FOR GREASE FITTING | 1.000 EA |
| HW4500A03 | GREASE FITTING, .125 NPT 1610(ALEMITE) 8 | 1.000 EA |
| HW4500A17 | 317400 ALEMITE GREASE RELIEF | 1.000 EA |
| MJ1000A02 | GREASE, MOBIL POLYREX EM - 124047 | 0.050 LB |
| 40AD2002B01 | LEXAN BAFFLE 40 FR OPEN | 1.000 EA |
| HA4051A00 | PLASTIC CAP FOR GREASE FITTING | 1.000 EA |
| HW4500A03 | GREASE FITTING, .125 NPT 1610(ALEMITE) 8 | 1.000 EA |
| HW4500A17 | 317400 ALEMITE GREASE RELIEF | 1.000 EA |
| HA3113A05 | THRUBOLT 3/8 - 16 X 17.250 | 4.000 EA |
| MG1000Y03 | MUNSELL 2.53Y 6.70/ 4.60, GLOSS 20, | 0.070 GA |
| 85XU0407S04 | 4X1/4 U DRIVE PIN STAINLESS | 4.000 EA |
| LB1119N | WARNING LABEL | 1.000 EA |
| LC0181 | CONNECTION LABEL | 1.000 EA |
| NP3554LUA | SS SUPER-E VPWM INV READY UL CSA-EEV PRE | 1.000 EA |
| 40PA1000 | PACKAGING GROUP | 1.000 EA |
| MN416A01 | TAG-INSTAL-MAINT no wire (2100/bx) 4/22 | 1.000 EA |

AC Induction Motor Performance Data

Record # 53041

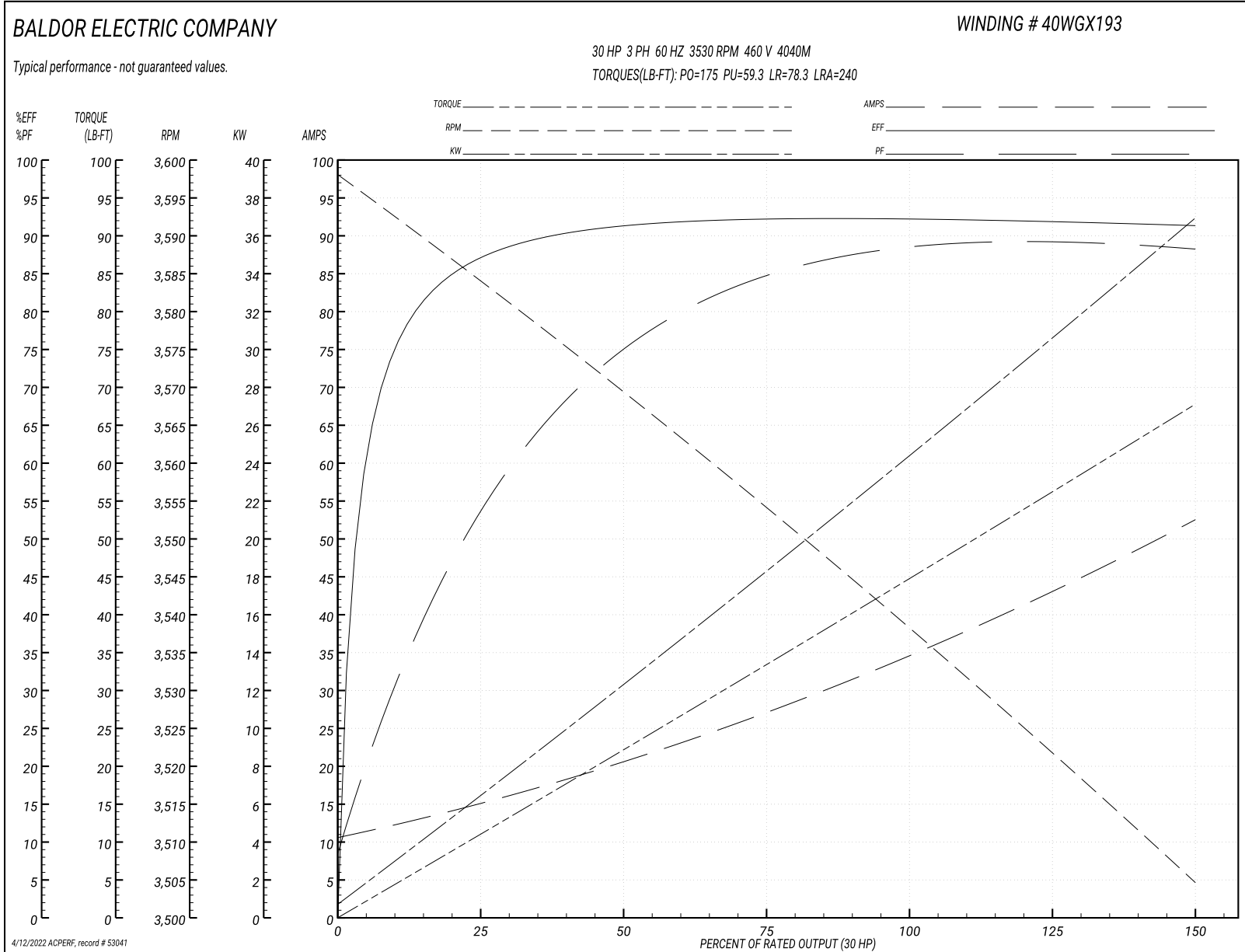
Typical performance - not guaranteed values

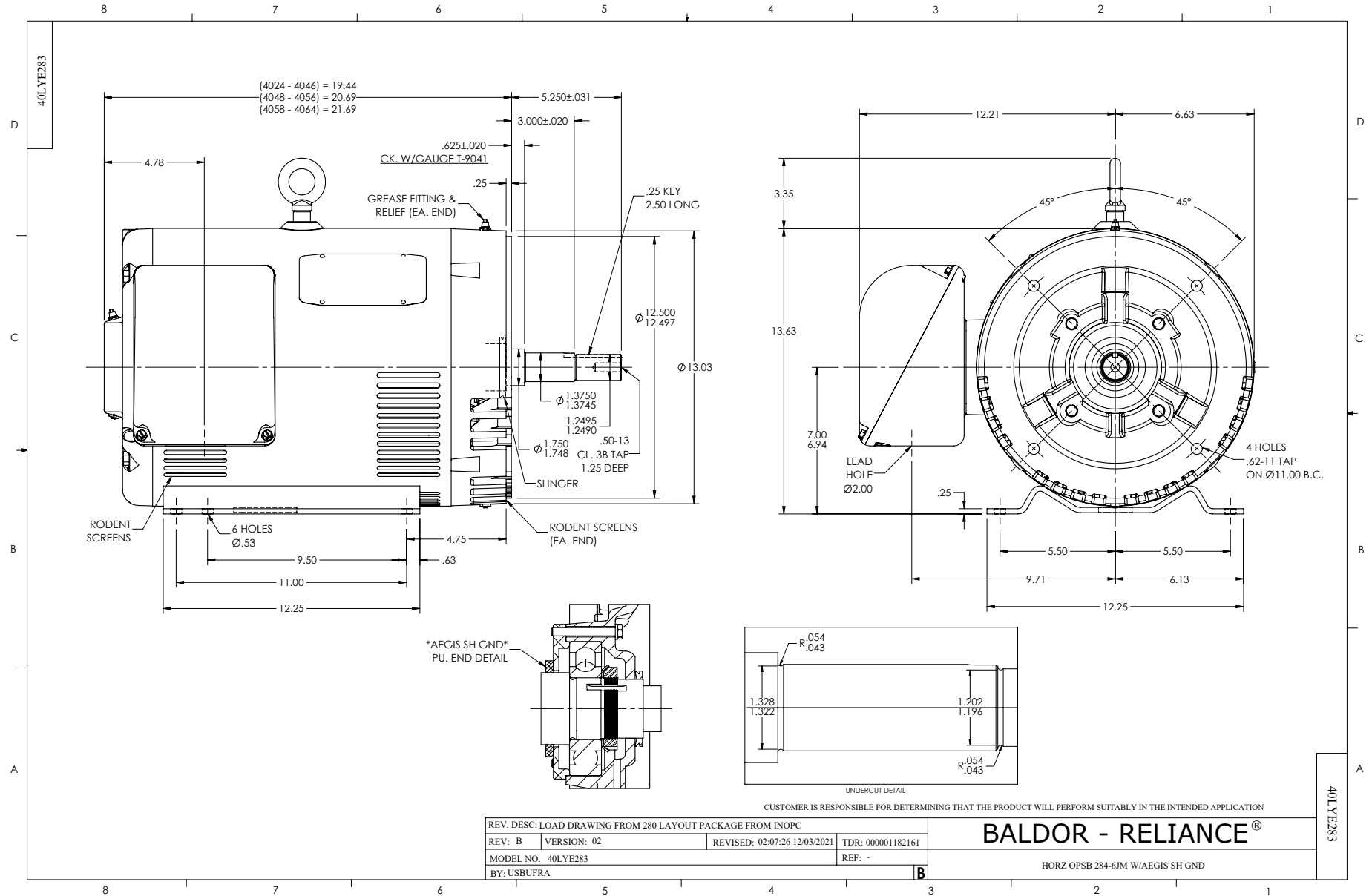
| Winding: 40WGX193-R006 | | Type: 4040M | Enclosure: OPSB |
|------------------------|-------------------|--|-------------------------|
| Nameplate Data | | 460 V, 60 Hz: High Voltage Connection | |
| Rated Output (HP) | 30 | Full Load Torque | 44.7 LB-FT |
| Volts | 230/460 | Start Configuration | direct on line |
| Full Load Amps | 70/35 | Breakdown Torque | 175 LB-FT |
| R.P.M. | 3530 | Pull-up Torque | 59.3 LB-FT |
| Hz | 60 Phase | Locked-rotor Torque | 78.3 LB-FT |
| NEMA Design Code | A KVA Code | Starting Current | 240 A |
| Service Factor (S.F.) | 1.15 | No-load Current | 11.2 A |
| NEMA Nom. Eff. | 91.7 Power Factor | Line-line Res. @ 25°C | 0.21802 Ω |
| Rating - Duty | 40C AMB-CONT | Temp. Rise @ Rated Load | 23°C |
| S.F. Amps | | Temp. Rise @ S.F. Load | 28°C |
| | | Locked-rotor Power Factor | 24 |
| | | Rotor inertia | 1.72 LB-FT ² |

Load Characteristics 460 V, 60 Hz, 30 HP

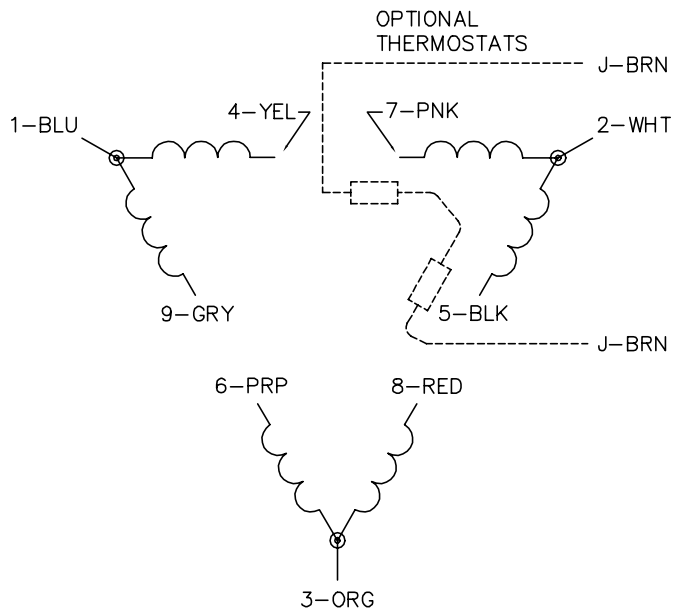
| % of Rated Load | 25 | 50 | 75 | 100 | 125 | 150 | S.F. |
|-----------------|--------|--------|--------|--------|--------|--------|------|
| Power Factor | 58 | 77 | 84 | 87 | 88 | 89 | 88 |
| Efficiency | 89.3 | 92.8 | 93.4 | 93.2 | 92.6 | 91.8 | 92.8 |
| Speed | 3582.7 | 3568.7 | 3554.6 | 3538.7 | 3522.3 | 3504.1 | 3529 |
| Line amperes | 14.4 | 20.3 | 27.2 | 35.1 | 43.4 | 52.1 | 40.1 |

Performance Graph at 460V, 60Hz, 30.0HP Typical performance - Not guaranteed values

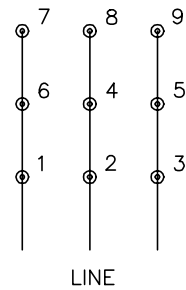




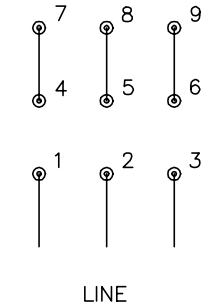
CD0180



LOW VOLTAGE
(2D)



HIGH VOLTAGE
(1D)



NOTES:

1. INTERCHANGE ANY TWO LINE LEADS TO REVERSE ROTATION.
2. OPTIONAL THERMOSTATS ARE PROVIDED WHEN SPECIFIED.
3. ACTUAL NUMBER OF INTERNAL PARALLEL CIRCUITS MAY BE A MULTIPLE OF THOSE SHOWN ABOVE.
4. LEAD COLORS ARE OPTIONAL. LEADS MUST ALWAYS BE NUMBERED AS SHOWN.

CD0180

| | | |
|-----------------------------------|------------------------------|-------------------|
| REV. DESC: ADD CLASS CONN00000007 | | |
| REV. LTR: D | VERSION: 01 | TDR: 000001099922 |
| FILE: \AAA\00005\148 | REVISED: 10:25:29 02/19/2019 | BY: ENBRIRO |
| MTL: - | © □ | |

BALDOR - RELIANCE®

3PH, DV, 9 LEADS, DELTA CONNECTION

SH 1 of 1

Marketing maintained PDF of MN416:

<http://www.baldor.com/support/Literature/Load.ashx/MN416?ManNumber=MN416>