

**BALDOR® • RELIANCE** 

**Product Information Packet**

**EJMM2542T-G**

**58M 2P OPSB HOR 324JM SE**

Part Detail							
Revision:	E	Status:	PRD/A	Change #:		Proprietary:	No
Type:	AC	Elec. Spec:	40GW803	CD Diagram:	CD0180	Mfg Plant:	
Mech. Spec:	40E285	Layout:	40LYE285	Poles:	02	Created Date:	04-03-2019
Base:	RG	Eff. Date:	04-06-2022	Leads:	9#8		

Specs			
Catalog Number:	EJMM2542T-G	Insulation Class:	F
Enclosure:	OPSB	Inverter Code:	Inverter Ready
Frame:	324JM	IP Rating:	IP23
Frame Material:	Steel	KVA Code:	G
Output @ Frequency:	50.000 HP @ 60 HZ	Lifting Lugs:	Standard Lifting Lugs
Synchronous Speed @ Frequency:	3600 RPM @ 60 HZ	Locked Bearing Indicator:	Locked Bearing
Voltage @ Frequency:	230.0 V @ 60 HZ	Motor Lead Quantity/Wire Size:	9 @ 8 AWG
	460.0 V @ 60 HZ	Motor Lead Termination:	Flying Leads
Agency Approvals:	CSA	Motor Type:	4058M
	CSA EEV	Mounting Arrangement:	F1
	UR	Power Factor:	90
Auxillary Box:	No Auxillary Box	Product Family:	General Purpose
Auxillary Box Lead Termination:	None	Pulley End Bearing Type:	Ball
Base Indicator:	Rigid	Pulley Face Code:	C-Face
Bearing Grease Type:	Polyrex EM (-20F +300F)	Pulley Shaft Indicator:	Tapped & Key
Blower:	None	Rodent Screen:	Included
Current @ Voltage:	112.000 A @ 230.0 V	Shaft Ground Indicator:	Shaft Grounding
	124.000 A @ 208.0 V	Shaft Rotation:	Reversible

	56.000 A @ 460.0 V	<b>Shaft Slinger Indicator:</b>	No Slinger
<b>Design Code:</b>	A	<b>Speed Code:</b>	Single Speed
<b>Drip Cover:</b>	No Drip Cover	<b>Motor Standards:</b>	NEMA
<b>Duty Rating:</b>	CONT	<b>Starting Method:</b>	Direct on line
<b>Electrically Isolated Bearing:</b>	Not Electrically Isolated	<b>Thermal Device - Bearing:</b>	None
<b>Feedback Device:</b>	NO FEEDBACK	<b>Thermal Device - Winding:</b>	None
<b>Front Shaft Indicator:</b>	None	<b>Vibration Sensor Indicator:</b>	No Vibration Sensor
<b>Heater Indicator:</b>	No Heater	<b>Winding Thermal 1:</b>	None
		<b>Winding Thermal 2:</b>	None

Nameplate NP3554LUA											
CAT.NO.	EJMM2542T-G			P/N				ENCL	OPSB		
SPEC.	40E285W803G1		CC	010A		FRAME	324JM		SER.NO.		
HP	50		CLASS	F		HZ	60				
RPM	3525		PH	3		DES	A				
VOLTS	230/460			CODE	G		ODE BRG	6309		DE BRG	6312
AMPS	112/56		USABLE AT 208V	124							
RATING	40C AMB-CONT			NEMA-NOM-EFF	93		GREASE	POLYREX EM			
PF	90		SER.F.	1.15		CT30-60(2:1)		VT3-60(20:1)			
USABLE AT	50HZ 50HP 190/380V 138/69A				SF1.0						
HTR-VOLTS			HTR-AMPS			MAX. SPACE HEATER TEMP.					

Parts List		
Part Number	Description	Quantity
SA368056	SA 40E285W803G1	1.000 EA
RA357545	RA 40E285W803G1	1.000 EA
HA6361A01	LIFTING LUG FOR 37, 39 & 40 FRAME ZINC	2.000 EA
HA6017	CAST ADAPTER, 40,42 KOBX	1.000 EA
19XW3118A12	.31-18 X .75 HEX WASHER HEAD TAPTITE II	2.000 EA
HW1001A31	LOCKWASHER 5/16, ZINC PLT.591 OD, .319 I	2.000 EA
HA1166A02	RODENT SCREEN FOR 40 ENDPLATE 40EP1300A.	1.000 EA
10CB3001	CONDUIT BOX CAST W/2.500 LEAD HOLE	1.000 EA
19XW3118A12	.31-18 X .75 HEX WASHER HEAD TAPTITE II	4.000 EA
HW1001A31	LOCKWASHER 5/16, ZINC PLT.591 OD, .319 I	4.000 EA
WD1000B25	GND LUG, BURNDY L125HP OR T&B L125HP-BB	1.000 EA
19XW3118G08	.31-18X.50,HEX WSHR HD,TAPTITE 2,GREEN	1.000 EA
40EP3200A02	STD FREP OPEN 309 BRG	1.000 EA
HA1166A02	RODENT SCREEN FOR 40 ENDPLATE 40EP1300A.	1.000 EA
51XW1032A06	10-32 X .38, TAPTITE II, HEX WSHR SLTD S	4.000 EA
HW5100A11	W3917-042 WVY WSHR (WB)	1.000 EA
40EP1401A17	FR ENDPLATE, MACH OPEN NEMA 324-6T W/SCR	1.000 EA
XY3816A12	3/8-16 FINISHED NUT	8.000 EA
10XN3118K40	5/16-18 X 2.50" HEX HD, GRADE 5	4.000 EA
HW1001A31	LOCKWASHER 5/16, ZINC PLT.591 OD, .319 I	4.000 EA
51XW1032A06	10-32 X .38, TAPTITE II, HEX WSHR SLTD S	4.000 EA
10CB3500SP	CONDUIT BOX LID, CAST	1.000 EA
51XW2520A12	.25-20 X .75, TAPTITE II, HEX WSHR SLTD	4.000 EA
HW2501E22	KEY, 1/4 SQ X 2.500	1.000 EA

Parts List (continued)		
Part Number	Description	Quantity
HW4600B41	V-RING SLINGER 2.125 X 2.880 X 0.280	1.000 EA
LB1115N	LABEL,LIFTING DEVICE (ON ROLLS)	1.000 EA
HW4500A03	GREASE FITTING, .125 NPT 1610(ALEMITE) 8	1.000 EA
HW4500A20	1/8NPT SL PIPE PLUG	1.000 EA
HA4051A00	PLASTIC CAP FOR GREASE FITTING	1.000 EA
MJ1000A02	GREASE, MOBIL POLYREX EM - 124047	0.050 LB
HW4500A03	GREASE FITTING, .125 NPT 1610(ALEMITE) 8	1.000 EA
HW4500A20	1/8NPT SL PIPE PLUG	1.000 EA
HA4051A00	PLASTIC CAP FOR GREASE FITTING	1.000 EA
MG1000Y03	MUNSELL 2.53Y 6.70/ 4.60, GLOSS 20,	0.070 GA
85XU0407S04	4X1/4 U DRIVE PIN STAINLESS	4.000 EA
40AD2002B01	LEXAN BAFFLE 40 FR OPEN	1.000 EA
40AD2002B01	LEXAN BAFFLE 40 FR OPEN	1.000 EA
HA3154A06	THRUBOLT STUD 3/8-16 X 19.500	4.000 EA
LB1119N	WARNING LABEL	1.000 EA
LC0181	CONNECTION LABEL	1.000 EA
NP3554LUA	SS SUPER-E VPWM INV READY UL CSA-EEV PRE	1.000 EA
40PA1000	PACKAGING GROUP	1.000 EA
MN416A01	TAG-INSTAL-MAINT no wire (2100/bx) 4/22	1.000 EA

**AC Induction Motor Performance Data**

Record # 52622

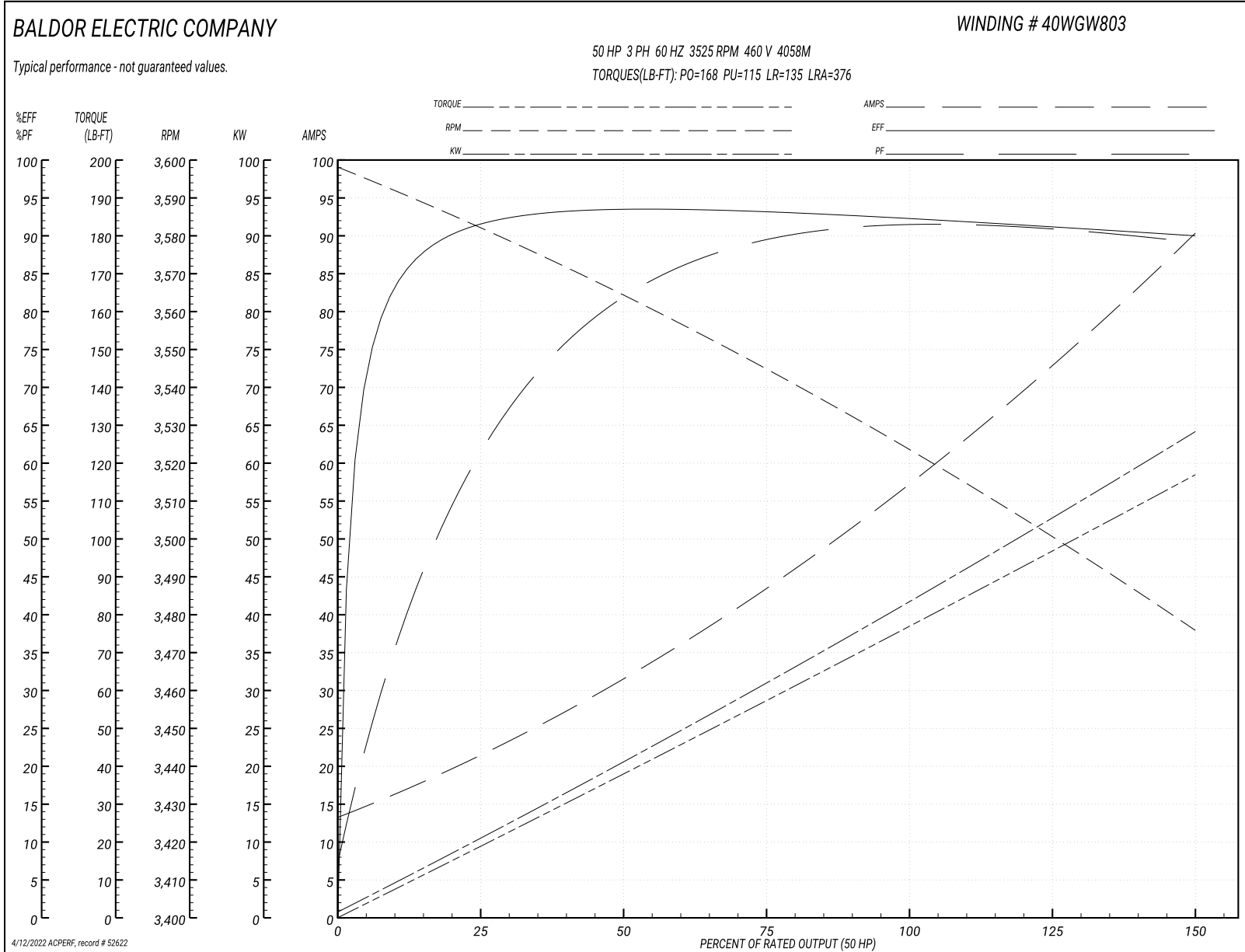
Typical performance - not guaranteed values

<b>Winding: 40GW803-R005</b>			<b>Type: 4058M</b>			<b>Enclosure: OPSB</b>		
<b>Nameplate Data</b>				<b>460 V, 60 Hz: High Voltage Connection</b>				
<b>Rated Output (HP)</b>	50		<b>Full Load Torque</b>	74.7 LB-FT				
<b>Volts</b>	230/460		<b>Start Configuration</b>	direct on line				
<b>Full Load Amps</b>	112/56		<b>Breakdown Torque</b>	168 LB-FT				
<b>R.P.M.</b>	3525		<b>Pull-up Torque</b>	115 LB-FT				
<b>Hz</b>	<b>60 Phase</b>	3	<b>Locked-rotor Torque</b>	135 LB-FT				
<b>NEMA Design Code</b>	<b>A KVA Code</b>	G	<b>Starting Current</b>	376 A				
<b>Service Factor (S.F.)</b>	1.15		<b>No-load Current</b>	14.2 A				
<b>NEMA Nom. Eff.</b>	<b>93 Power Factor</b>	90	<b>Line-line Res. @ 25°C</b>	0.1415 Ω				
<b>Rating - Duty</b>	40C AMB-CONT		<b>Temp. Rise @ Rated Load</b>	47°C				
<b>S.F. Amps</b>			<b>Temp. Rise @ S.F. Load</b>	60°C				
			<b>Locked-rotor Power Factor</b>	23.2				
			<b>Rotor inertia</b>	2.49 LB-FT <sup>2</sup>				

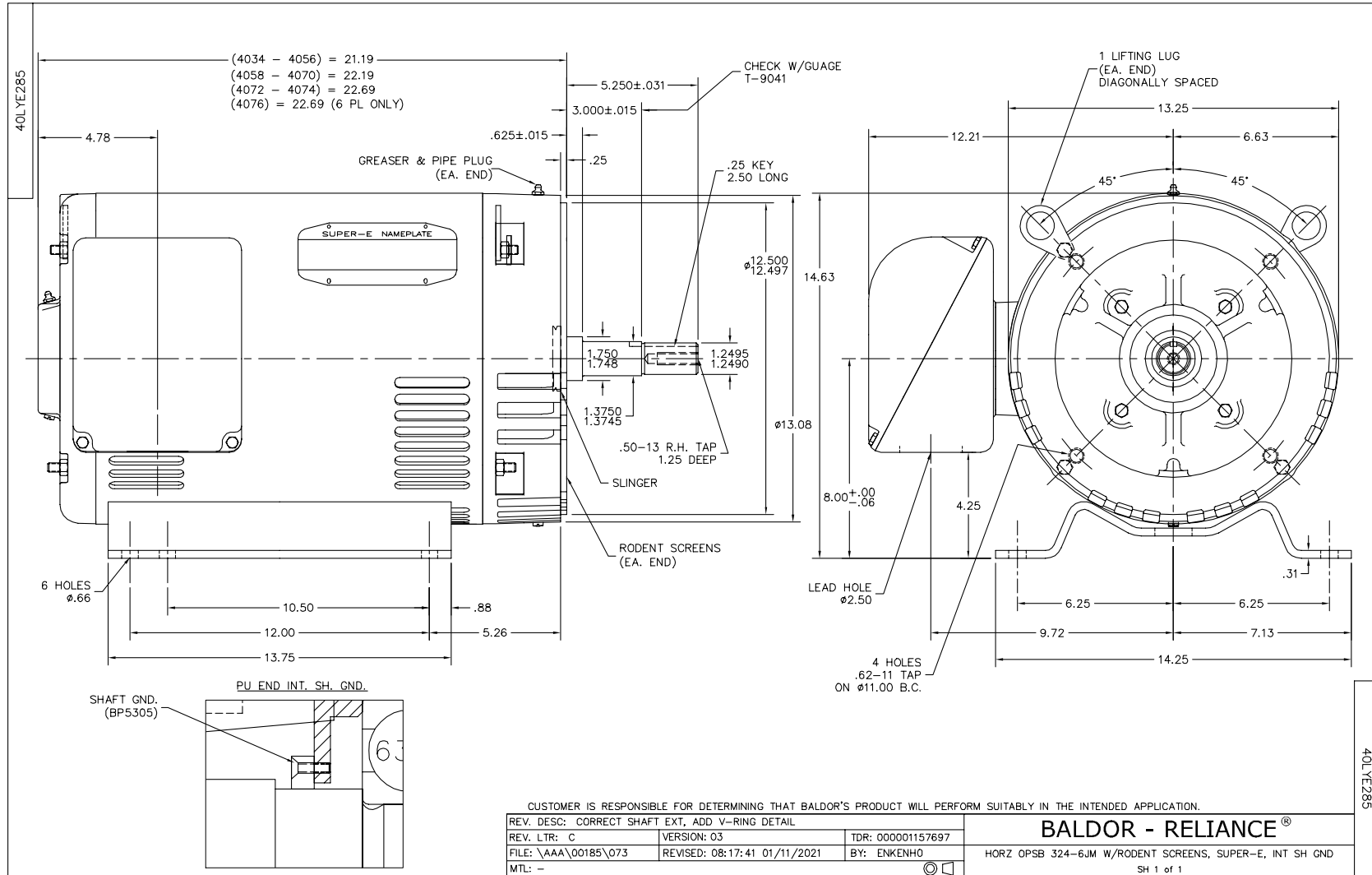
**Load Characteristics 460 V, 60 Hz, 50 HP**

<b>% of Rated Load</b>	<b>25</b>	<b>50</b>	<b>75</b>	<b>100</b>	<b>125</b>	<b>150</b>	<b>S.F.</b>
<b>Power Factor</b>	66	83	88	90	90	90	90
<b>Efficiency</b>	92.9	94.4	94.1	93.3	92.2	90.5	92.6
<b>Speed</b>	3581.7	3565.2	3545.9	3526.6	3505.2	3475.1	3514
<b>Line amperes</b>	20	30.4	42.8	56.3	70.7	89.9	64.9

Performance Graph at 460V, 60Hz, 50.0HP Typical performance - Not guaranteed values







CD0180



LOW VOLTAGE  
(2D)



HIGH VOLTAGE  
(1D)



NOTES:

1. INTERCHANGE ANY TWO LINE LEADS TO REVERSE ROTATION.
2. OPTIONAL THERMOSTATS ARE PROVIDED WHEN SPECIFIED.
3. ACTUAL NUMBER OF INTERNAL PARALLEL CIRCUITS MAY BE A MULTIPLE OF THOSE SHOWN ABOVE.
4. LEAD COLORS ARE OPTIONAL. LEADS MUST ALWAYS BE NUMBERED AS SHOWN.

CD0180

REV. DESC: ADD CLASS CONN00000007		
REV. LTR: D	VERSION: 01	TDR: 000001099922
FILE: \AAA\00005\148	REVISED: 10:25:29 02/19/2019	BY: ENBRIRO
MTL: -	© □	

**BALDOR - RELIANCE®**

3PH, DV, 9 LEADS, DELTA CONNECTION

SH 1 of 1

Marketing maintained PDF of MN416:

<http://www.baldor.com/support/Literature/Load.ashx/MN416?ManNumber=MN416>