

**BALDOR® • RELIANCE** 

**Product Information Packet**

**EJMM3555T-5**

**2HP,3490RPM,3PH,60HZ,145JM,3526M,TEFC,F1**

Part Detail							
Revision:	F	Status:	PRD/A	Change #:		Proprietary:	No
Type:	AC	Elec. Spec:	35WGM831	CD Diagram:	CD0006	Mfg Plant:	
Mech. Spec:	35T921	Layout:	35LYT921	Poles:	02	Created Date:	08-14-2015
Base:	RG	Eff. Date:	06-15-2018	Leads:	3#18		

Specs			
Catalog Number:	EJMM3555T-5	Inverter Code:	Inverter Ready
Enclosure:	TEFC	KVA Code:	M
Frame:	145JM	Lifting Lugs:	No Lifting Lugs
Frame Material:	Steel	Locked Bearing Indicator:	Locked Bearing
Output @ Frequency:	2.000 HP @ 60 HZ	Motor Lead Quantity/Wire Size:	3 @ 18 AWG
Synchronous Speed @ Frequency:	3600 RPM @ 60 HZ	Motor Lead Exit:	Ko Box
Voltage @ Frequency:	575.0 V @ 60 HZ	Motor Lead Termination:	Flying Leads
XP Class and Group:	None	Motor Type:	3526M
XP Division:	Not Applicable	Mounting Arrangement:	F1
Agency Approvals:	CSA	Power Factor:	88
	CSA EEV	Product Family:	General Purpose
	UR	Pulley End Bearing Type:	Ball
Auxillary Box:	No Auxillary Box	Pulley Face Code:	C-Face
Auxillary Box Lead Termination:	None	Pulley Shaft Indicator:	Tapped & Key
Base Indicator:	Rigid	Rodent Screen:	None
Bearing Grease Type:	Polyrex EM (-20F +300F)	RoHS Status:	ROHS COMPLIANT
Blower:	None	Shaft Extension Location:	Pulley End
Current @ Voltage:	2.000 A @ 575.0 V	Shaft Ground Indicator:	No Shaft Grounding

<b>Design Code:</b>	B	<b>Shaft Rotation:</b>	Reversible
<b>Drip Cover:</b>	No Drip Cover	<b>Shaft Slinger Indicator:</b>	Shaft Slinger
<b>Duty Rating:</b>	CONT	<b>Speed Code:</b>	Single Speed
<b>Electrically Isolated Bearing:</b>	Not Electrically Isolated	<b>Motor Standards:</b>	NEMA
<b>Feedback Device:</b>	NO FEEDBACK	<b>Starting Method:</b>	Direct on line
<b>Front Face Code:</b>	Standard	<b>Thermal Device - Bearing:</b>	None
<b>Front Shaft Indicator:</b>	None	<b>Thermal Device - Winding:</b>	None
<b>Heater Indicator:</b>	No Heater	<b>Vibration Sensor Indicator:</b>	No Vibration Sensor
<b>Insulation Class:</b>	B	<b>Winding Thermal 1:</b>	None
		<b>Winding Thermal 2:</b>	None

<b>Nameplate NP3441L</b>											
<b>CAT.NO.</b>	EJMM3555T-5										
<b>SPEC.</b>	35T921M831G1										
<b>HP</b>	2										
<b>VOLTS</b>	575										
<b>AMP</b>	2										
<b>RPM</b>	3490										
<b>FRAME</b>	145JM			<b>HZ</b>	60				<b>PH</b>	3	
<b>SER.F.</b>	1.15			<b>CODE</b>	M		<b>DES</b>	B		<b>CL</b>	B
<b>NEMA-NOM-EFF</b>	85.5			<b>PF</b>	88						
<b>RATING</b>	40C AMB-CONT										
<b>CC</b>	010A						<b>USABLE AT 208V</b>				
<b>DE</b>	6206					<b>ODE</b>	6203				
<b>ENCL</b>	TEFC			<b>SN</b>							
<b>VPWM INVERTER READY</b>											
CT6-60H(10:1)VT3-60H(20:1)											

Parts List		
Part Number	Description	Quantity
SA305622	SA 35T921M831G1	1.000 EA
RA292848	RA 35T921M831G1	1.000 EA
NS2512A01	INSULATOR, CONDUIT BOX X	1.000 EA
35CB3007	35 CB CASTING W/.88 DIA. LEAD HOLE	1.000 EA
36GS1000SP	GASKET-CONDUIT BOX, .06 THICK #SV-330 LE	1.000 EA
51XB1016A07	10-16 X 7/16 HXWSSLD SERTYB	2.000 EA
11XW1032G06	10-32 X .38, TAPTITE II, HEX WSHR SLTD U	1.000 EA
35EP3122G00	MASTER ODE,203 BRG,.683SH,#26 DRN,GRSR,R	1.000 EA
HW4500A01	1641B(ALEMITE)400 UNIV, GREASE FITT	1.000 EA
HW4500A17	317400 ALEMITE GREASE RELIEF	1.000 EA
HW5100A03	WAVY WASHER (W1543-017)	1.000 EA
35EP3401T05	FACE ENCL 206 BRG W/GRS, RELIEF & TGHSLV	1.000 EA
HW4500A01	1641B(ALEMITE)400 UNIV, GREASE FITT	1.000 EA
HW4500A17	317400 ALEMITE GREASE RELIEF	1.000 EA
51XN1032A20	10-32 X 1 1/4 HX WS SL SR	2.000 EA
35FH4005A86	IEC FH W/GRSR, NO DIMPLES W/PRIMER	1.000 EA
51XW1032A06	10-32 X .38, TAPTITE II, HEX WSHR SLTD S	3.000 EA
HA1005A02	SLINGER, OD 2.00, ID 1.14, 206 BRG,	1.000 EA
35CB4521GX	CONDUIT BOX LID KIT **ORDER INDIV PARTS	1.000 EA
51XW0832A07	8-32 X .44, TAPTITE II, HEX WSHR SLTD SE	4.000 EA
HW2501D13	KEY, 3/16 SQ X 1.375	1.000 EA
HA7000A01	KEY RETAINER 7/8" DIA SHAFT	1.000 EA
85XU0407S04	4X1/4 U DRIVE PIN STAINLESS	2.000 EA
MJ1000A02	GREASE, MOBIL POLYREX EM - 124047	0.050 LB

<b>Parts List (continued)</b>		
<b>Part Number</b>	<b>Description</b>	<b>Quantity</b>
34FN3002B01	EXTERNAL FAN, PLASTIC, .637/.639 HUB W/	1.000 EA
51XB1214A16	12-14X1.00 HXWSSLD SERTYB	1.000 EA
HA3100A15	THRUBOLT 10-32 X 8.375	4.000 EA
MG1000Y03	MUNSELL 2.53Y 6.70/ 4.60, GLOSS 20,	0.017 GA
MN416A01	TAG-INSTAL-MAINT no wire (2100/bx) 4/22	1.000 EA
LB1119N	WARNING LABEL	1.000 EA
LC0006	CONNECTION LABEL	1.000 EA
NP3441L	ALUM SUPER-E VPWM INVERTER READY UL	1.000 EA
36PA1001	PKG GRP, PRINT PK1017A06	1.000 EA
FE-0000001	ZRTG FE ASSEMBLY	1.000 EA

**AC Induction Motor Performance Data**

Record # 52215

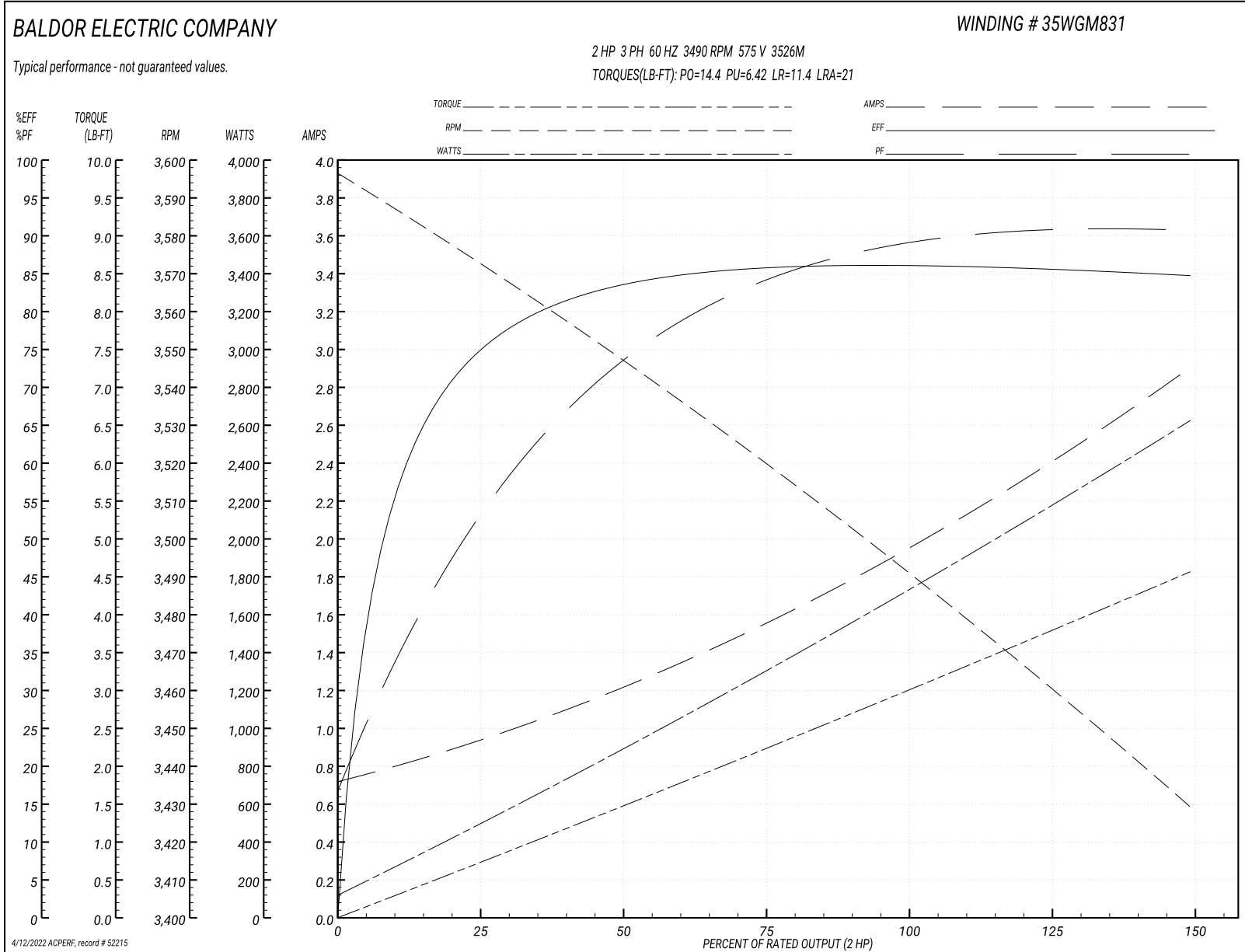
Typical performance - not guaranteed values

Winding: 35WGM831-R011		Type: 3526M	Enclosure: TEFC
<b>Nameplate Data</b>		<b>575 V, 60 Hz: Single Voltage Motor</b>	
Rated Output (HP)	2	Full Load Torque	2.98 LB-FT
Volts	575	Start Configuration	direct on line
Full Load Amps	2	Breakdown Torque	14.4 LB-FT
R.P.M.	3490	Pull-up Torque	6.42 LB-FT
Hz	60 Phase	Locked-rotor Torque	11.4 LB-FT
NEMA Design Code	B KVA Code	Starting Current	21 A
Service Factor (S.F.)	1.15	No-load Current	0.745 A
NEMA Nom. Eff.	85.5 Power Factor	Line-line Res. @ 25°C	10.7 Ω
Rating - Duty	40C AMB-CONT	Temp. Rise @ Rated Load	44°C
S.F. Amps		Temp. Rise @ S.F. Load	52°C
		Locked-rotor Power Factor	50.1
		Rotor inertia	0.0719 LB-FT <sup>2</sup>

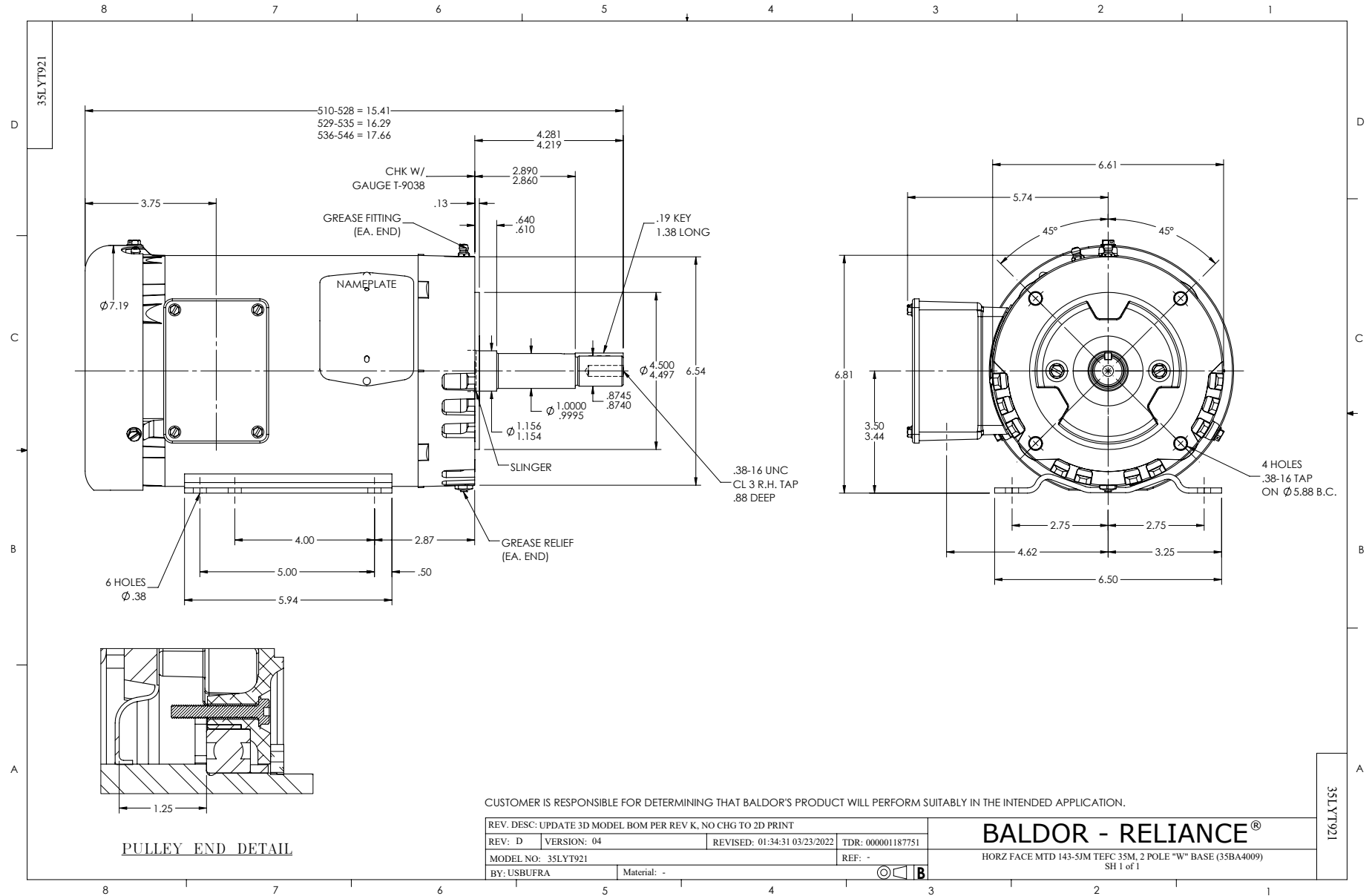
**Load Characteristics 575 V, 60 Hz, 2 HP**

% of Rated Load	25	50	75	100	125	150	S.F.
Power Factor	54	74	84	88	90	91	89
Efficiency	73.3	83.6	85.6	86.3	85.7	84.7	85.9
Speed	3572	3547	3521	3493	3463	3428	3475
Line amperes	0.895	1.19	1.55	1.96	2.4	2.89	2.22

Performance Graph at 575V, 60Hz, 2.0HP Typical performance - Not guaranteed values







CD0006



NOTES:

1. THREE LEAD MOTOR MAY BE EITHER WYE CONNECTED OR DELTA CONNECTED.
2. INTERCHANGE ANY TWO LINE LEADS TO REVERSE ROTATION.
3. OPTIONAL THERMOSTATS ARE PROVIDED WHEN SPECIFIED.
4. ACTUAL NUMBER OF INTERNAL PARALLEL CIRCUITS MAY VARY.
5. LEAD COLORS ARE OPTIONAL. LEADS MUST BE NUMBERED AS SHOWN.

CD0006

REV. DESC: ADD CLASS CONN00000007		
REV. LTR: E	VERSION: 01	TDR: 000001099922
FILE: \AAA\00005\141	REVISED: 10:24:49 02/19/2019	BY: ENBRIRO
MTL: -	© □	

**BALDOR - RELIANCE®**

3PH, SV, 3 LEADS, WYE OR DELTA CONNECTED

SH 1 of 1