

BALDOR® • RELIANCE 

Product Information Packet

EJMM3613T-G

5HP,3450RPM,3PH,60HZ,184JM,3630M,TEFC,F1

Part Detail							
Revision:	J	Status:	PRD/A	Change #:		Proprietary:	No
Type:	AC	Elec. Spec:	36WGS042	CD Diagram:	CD0005	Mfg Plant:	
Mech. Spec:	36N542	Layout:	36LYN542	Poles:	02	Created Date:	11-30-2011
Base:	RG	Eff. Date:	11-05-2019	Leads:	9#16		

Specs			
Catalog Number:	EJMM3613T-G	Insulation Class:	H
Enclosure:	TEFC	Inverter Code:	Inverter Ready
Frame:	184JM	IP Rating:	NONE
Frame Material:	Steel	KVA Code:	L
Output @ Frequency:	5.000 HP @ 60 HZ	Lifting Lugs:	No Lifting Lugs
Synchronous Speed @ Frequency:	3600 RPM @ 60 HZ	Locked Bearing Indicator:	Locked Bearing
Voltage @ Frequency:	460.0 V @ 60 HZ	Motor Lead Quantity/Wire Size:	9 @ 16 AWG
	230.0 V @ 60 HZ	Motor Lead Exit:	Ko Box
XP Class and Group:	None	Motor Lead Termination:	Flying Leads
XP Division:	Not Applicable	Motor Type:	3630M
Agency Approvals:	UR	Mounting Arrangement:	F1
	CSA EEV	Power Factor:	91
	CSA	Product Family:	General Purpose
Auxillary Box:	No Auxillary Box	Pulley End Bearing Type:	Ball
Auxillary Box Lead Termination:	None	Pulley Face Code:	C-Face
Base Indicator:	Rigid	Pulley Shaft Indicator:	Tapped & Key
Bearing Grease Type:	Polyrex EM (-20F +300F)	Rodent Screen:	None
Blower:	None	Shaft Extension Location:	Pulley End

Current @ Voltage:	11.800 A @ 230.0 V	Shaft Ground Indicator:	Shaft Grounding
	12.000 A @ 208.0 V	Shaft Rotation:	Reversible
	5.900 A @ 460.0 V	Shaft Slinger Indicator:	Shaft Slinger
Design Code:	A	Speed Code:	Single Speed
Drip Cover:	No Drip Cover	Motor Standards:	NEMA
Duty Rating:	CONT	Starting Method:	Direct on line
Electrically Isolated Bearing:	Not Electrically Isolated	Thermal Device - Bearing:	None
Feedback Device:	NO FEEDBACK	Thermal Device - Winding:	None
Front Face Code:	Standard	Vibration Sensor Indicator:	No Vibration Sensor
Front Shaft Indicator:	None	Winding Thermal 1:	None
Heater Indicator:	No Heater	Winding Thermal 2:	None

Nameplate NP3441LUA									
CAT.NO.	EJMM3613T-G								
SPEC	36N542S042G1								
HP	5								
VOLTS	230/460								
AMPS	11.8/5.9								
RPM	3450								
FRAME	184JM			HZ	60			PH	3
SF	1.15		CODE	L		DES	A	CLASS	H
NEMA NOM. EFF	88.5		PF	91					
RATING	40C AMB-CONT								
CC	010A					USABLE AT 208V	12		
ENCL	TEFC		SER						
DE	6207		ODE	6205					
VPWM INVERTER READY									
CT6-60H(10:1)VT3-60H(20:1)									
	50Hz 5HP 190/380V 14.2/7.1A								
	SF1.0								

Parts List		
Part Number	Description	Quantity
SA234945	SA 36N542S042G1	1.000 EA
RA221910	RA 36N542S042G1	1.000 EA
34FN3002B02	EXTERNAL FAN, PLASTIC, .905/.907 HUB W/	1.000 EA
36CB3004	36 CB CASTING W/1.09 DIA LEAD HOLE @ 6:0	1.000 EA
36GS1000SP	GASKET-CONDUIT BOX, .06 THICK #SV-330 LE	1.000 EA
51XB1016A08	10-16X 1/2HXWSSLD SERTYB	2.000 EA
11XW1032G06	10-32 X .38, TAPTITE II, HEX WSHR SLTD U	1.000 EA
HW3001B01	BRASS CUP WASHER, FOR #10 SCREW	1.000 EA
36EP3104A04	FR ENDPLATE, MACH	1.000 EA
HW4500A01	1641B(ALEMITE)400 UNIV, GREASE FITT	1.000 EA
HW4500A17	317400 ALEMITE GREASE RELIEF	1.000 EA
HW5100A05	WVY WSHR F/205 & 304 BRGS	1.000 EA
36EP3405T03	PUEP ENCL 207 BRG T'SLV,GRSR,REL,DRAIN	1.000 EA
HW4500A01	1641B(ALEMITE)400 UNIV, GREASE FITT	1.000 EA
HW4500A17	317400 ALEMITE GREASE RELIEF	1.000 EA
10XN2520A24	1/4-20X 1 1/2 HEX HD X	4.000 EA
HW1001A25	LOCKWASHER 1/4, ZINC PLT .493 OD, .255 I	4.000 EA
51XB1214A16	12-14X1.00 HXWSSLD SERTYB	1.000 EA
36FH4009A103	IEC FH GREASER W/PRIMER	1.000 EA
51XW1032A06	10-32 X .38, TAPTITE II, HEX WSHR SLTD S	3.000 EA
36CB4516	750LIPPED CB LID - GALVANNEAL	1.000 EA
37GS1001	GASKET, CONDUIT BOX LID, .06 THICK LEXID	1.000 EA
51XW0832A07	8-32 X .44, TAPTITE II, HEX WSHR SLTD SE	4.000 EA
HA1005A07	SLINGER, OD 2.25, ID 1.344, 307 BRG	1.000 EA

Parts List (continued)		
Part Number	Description	Quantity
HW2501D13	KEY, 3/16 SQ X 1.375	1.000 EA
HA7000A01	KEY RETAINER 7/8" DIA SHAFT	1.000 EA
85XU0407S04	4X1/4 U DRIVE PIN STAINLESS	2.000 EA
LB1459	AEGIS SGR LABEL "AEGISLBL-100"	1.000 EA
MJ1000A02	GREASE, MOBIL POLYREX EM - 124047	0.050 LB
MG1000Y03	MUNSELL 2.53Y 6.70/ 4.60, GLOSS 20,	0.022 GA
HA3101A25	THRUBOLT 1/4-20 X 11.000 OHIO ROD	4.000 EA
LC0005E01	CONN.DIA./WARNING LABEL (LC0005/LB1119N)	1.000 EA
NP3441LUA	ALUM SUPER-E VPWM INV READY UL CSA-EEV C	1.000 EA
36PA1001	PKG GRP, PRINT PK1017A06	1.000 EA
MN416A01	TAG-INSTAL-MAINT no wire (2100/bx) 4/22	1.000 EA
FE-0000001	ZRTG FE ASSEMBLY	1.000 EA
PE-0000001	ZRTG PE ASSEMBLY	1.000 EA

AC Induction Motor Performance Data

Record # 57227

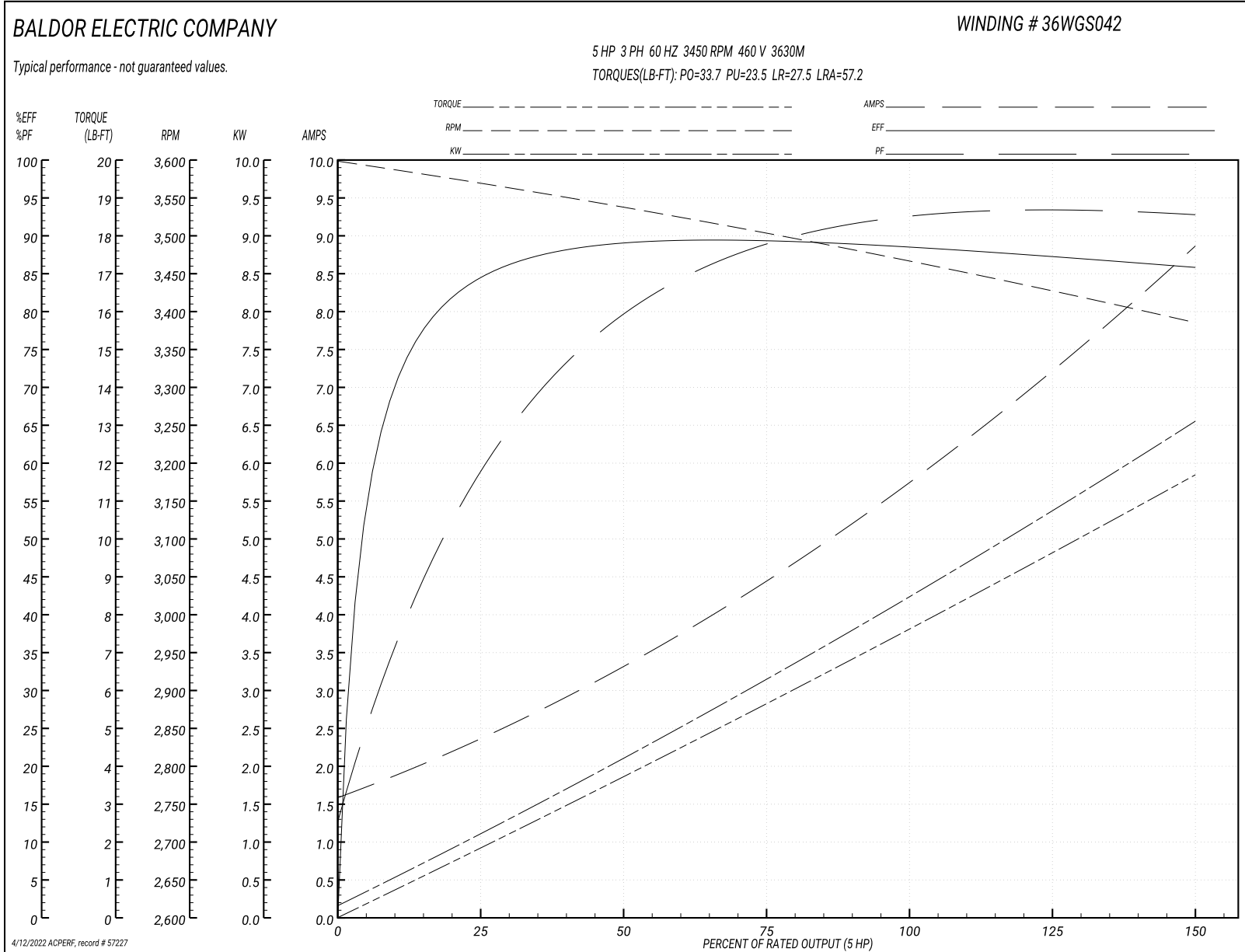
Typical performance - not guaranteed values

Winding: 36WGS042-R060		Type: 3630M		Enclosure: TEFC	
Nameplate Data			460 V, 60 Hz: High Voltage Connection		
Rated Output (HP)	5	Full Load Torque	7.67 LB-FT		
Volts	230/460	Start Configuration	direct on line		
Full Load Amps	11.8/5.9	Breakdown Torque	33.7 LB-FT		
R.P.M.	3450	Pull-up Torque	23.5 LB-FT		
Hz	60 Phase	3	Locked-rotor Torque	27.5 LB-FT	
NEMA Design Code	A KVA Code	L	Starting Current	57.2 A	
Service Factor (S.F.)	1.15	No-load Current	1.68 A		
NEMA Nom. Eff.	88.5 Power Factor	91	Line-line Res. @ 25°C	2.26 Ω	
Rating - Duty	40C AMB-CONT	Temp. Rise @ Rated Load	72°C		
S.F. Amps		Temp. Rise @ S.F. Load	88°C		
		Locked-rotor Power Factor	45.1		
		Rotor inertia	0.134 LB-FT ²		

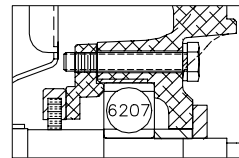
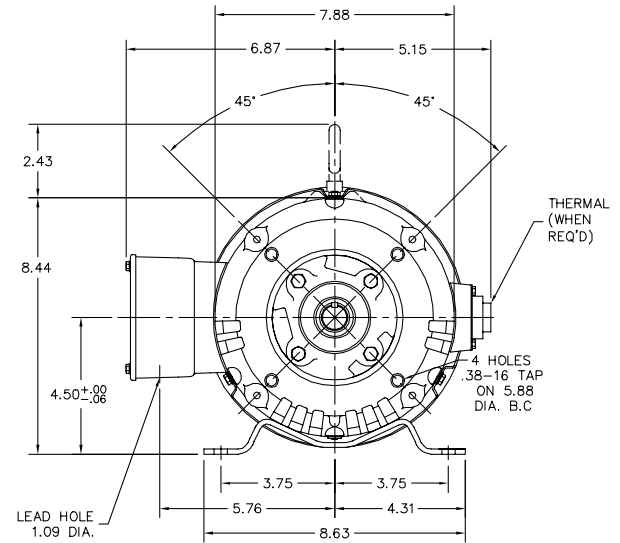
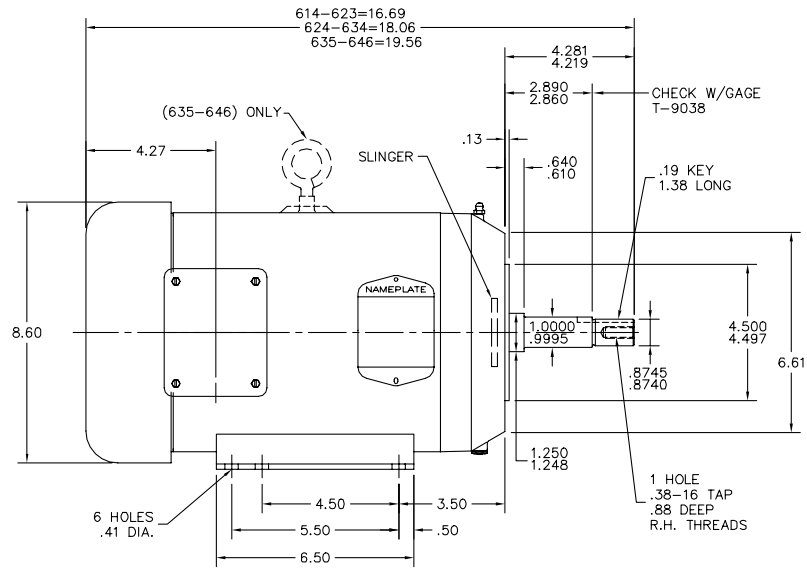
Load Characteristics 460 V, 60 Hz, 5 HP

% of Rated Load	25	50	75	100	125	150	S.F.
Power Factor	62	81	88	91	93	94	92
Efficiency	84.1	88.9	89.4	88.7	87.3	85.8	87.9
Speed	3569	3537	3504	3466	3428	3385	3443
Line amperes	2.24	3.26	4.47	5.85	7.26	8.8	6.7

Performance Graph at 460V, 60Hz, 5.0HP Typical performance - Not guaranteed values



36LYN542



PULLEY END DETAIL
(AEGIS GROUND)

CUSTOMER IS RESPONSIBLE FOR DETERMINING THAT BALDOR'S PRODUCT WILL PERFORM SUITABLY IN THE INTENDED APPLICATION.

REV. DESC: REMOVE CALL OUTS FOR GREASER & RELIEF	VERSION: 01	TDR: 000001120477
REV. LTR: A	REVISED: 09:29:13 09/18/2019	BY: ENJESMO
FILE: \AAA\00187\297		
MTL: -		

BALDOR - RELIANCE®

HOR 182-4JM TEFC 36M W/AEGIS INTERNAL SHAFT GROUND

SH 1 of 1

36LYN542

CD0005

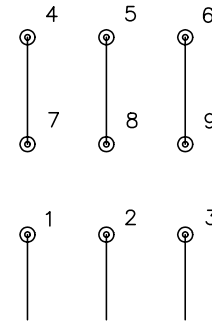


LOW VOLTAGE
(2Y)



LINE

HIGH VOLTAGE
(1Y)



LINE

NOTES:

1. INTERCHANGE ANY TWO LINE LEADS TO REVERSE ROTATION.
2. OPTIONAL THERMOSTATS ARE PROVIDED WHEN SPECIFIED.
3. ACTUAL NUMBER OF INTERNAL PARALLEL CIRCUITS MAY BE A MULTIPLE OF THOSE SHOWN ABOVE.
4. LEAD COLORS ARE OPTIONAL. LEADS MUST ALWAYS BE NUMBERED AS SHOWN.

REV. DESC: REVISE TO SHOW OPTIONAL COLORS			
REV. LTR: E	BY: JLP	REVISED: 01/19/99 10:15	TDR: 0171435
900000		FILE: AAA00005140	MDL: -
		MTL: -	

BALDOR ELECTRIC Co.

3PH, DV, 9 LEADS

CD0005