

BALDOR® • RELIANCE 

Product Information Packet

EJMM4109T-G

58M 2P TEFC HOR 324JM SE

Part Detail							
Revision:	B	Status:	PRD/A	Change #:		Proprietary:	No
Type:	AC	Elec. Spec:	10WGY652	CD Diagram:	CD0180	Mfg Plant:	
Mech. Spec:	10K411	Layout:	10LYK411	Poles:	02	Created Date:	04-02-2019
Base:	RG	Eff. Date:	02-18-2022	Leads:	9#8		

Specs			
Catalog Number:	EJMM4109T-G	Heater Indicator:	No Heater
Enclosure:	TEFC	Insulation Class:	F
Frame:	324JM	Inverter Code:	Inverter Ready
Frame Material:	Iron	IP Rating:	NONE
Output @ Frequency:	40.000 HP @ 60 HZ	KVA Code:	H
Synchronous Speed @ Frequency:	3600 RPM @ 60 HZ	Lifting Lugs:	Standard Lifting Lugs
Voltage @ Frequency:	460.0 V @ 60 HZ	Locked Bearing Indicator:	Locked Bearing
	230.0 V @ 60 HZ	Motor Lead Quantity/Wire Size:	9 @ 8 AWG
XP Class and Group:	None	Motor Lead Termination:	Flying Leads
XP Division:	Not Applicable	Motor Type:	1058M
Agency Approvals:	UR	Mounting Arrangement:	F1
	CSA EEV	Power Factor:	90
	CSA	Product Family:	General Purpose
Auxillary Box:	No Auxillary Box	Pulley End Bearing Type:	Ball
Auxillary Box Lead Termination:	None	Pulley Face Code:	C-Face
Base Indicator:	Rigid	Pulley Shaft Indicator:	Tapped & Key
Bearing Grease Type:	Polyrex EM (-20F +300F)	Rodent Screen:	None
Blower:	None	Shaft Ground Indicator:	Shaft Grounding

Current @ Voltage:	100.000 A @ 208.0 V	Shaft Rotation:	Reversible
	45.000 A @ 460.0 V	Shaft Slinger Indicator:	Shaft Slinger
	90.000 A @ 230.0 V	Speed Code:	Single Speed
Design Code:	A	Motor Standards:	NEMA
Drip Cover:	No Drip Cover	Starting Method:	Direct on line
Duty Rating:	CONT	Thermal Device - Bearing:	None
Electrically Isolated Bearing:	Not Electrically Isolated	Thermal Device - Winding:	None
Feedback Device:	NO FEEDBACK	Vibration Sensor Indicator:	No Vibration Sensor
Front Shaft Indicator:	None	Winding Thermal 1:	None
		Winding Thermal 2:	None

Nameplate NP3443LUA										
CAT.NO.	EJMM4109T-G				CUST. P/N				ENCL	TEFC
SPEC.	10K411Y652G3		CC	010A	FRAME	324JM		SER.NO.		
HP	40		CLASS	F	HZ	60				
R.P.M.	3530		PH.	3	DES.	A				
VOLTS	230/460		CODE	H	ODE BRG	6309		DE BRG	6312	
AMPS	90/45		USABLE AT 208V	100						
RATING	40C AMB-CONT		NEMA NOM. EFF.	92.4		GREASE	POLYREX EM			
P.F.	90	SER.F.	1.15		CT6-60H(10:1)VT3-60H(20:1)					
USABLE AT	50HZ 40HP 190/380V 110/55A				SF1.0					
VOLTS		AMPS		MAX. SPACE HEATER TEMP.						

Parts List		
Part Number	Description	Quantity
SA368059	SA 10K411Y652G3	1.000 EA
RA357548	RA 10K411Y652G3	1.000 EA
37FN3002C03	EXFN, PLASTIC, 6.00 OD, 1.690 ID	1.000 EA
10CB3001	CONDUIT BOX CAST W/2.500 LEAD HOLE	1.000 EA
09GS1000SP	GASKET-CONDUIT BOX, 1/16 THICK LEXIDE	1.000 EA
10XN3118K12	5/16-18 X .75 GRADE 5, ZINC PLATED	4.000 EA
HW1001A31	LOCKWASHER 5/16, ZINC PLT.591 OD, .319 I	4.000 EA
WD1000B16	T&B CX70TN OR L70P TERMINAL LUG	1.000 EA
51XF2520A08	SCREW, HEX SER SLT HD, ZN 1/4-20 X .50 L	1.000 EA
10EP1106A01	FR ENDPLATE, MACH	1.000 EA
10XN3816K32	BOLT, 3/8-16X2 HH YZ(5)	4.000 EA
HW1001A38	LOCKWASHER 3/8, ZINC PLT .688 OD, .382 I	4.000 EA
HW5100A11	W3917-042 WVY WSHR (WB)	1.000 EA
10XN2520K36	1/4-20 X 2.25" HX HD SCRWGRADE 5, ZINC P	2.000 EA
HW1001A25	LOCKWASHER 1/4, ZINC PLT .493 OD, .255 I	2.000 EA
10XN3118K40	5/16-18 X 2.75" HEX HD, GRADE 5	4.000 EA
HW1001A31	LOCKWASHER 5/16, ZINC PLT.591 OD, .319 I	4.000 EA
10EP1304A01	PU ENDPLATE, MACH	1.000 EA
10XN3816K28	3/8-16 X 1.75 HEX HD CAP SCREW, GRADE 5	4.000 EA
HW1001A38	LOCKWASHER 3/8, ZINC PLT .688 OD, .382 I	4.000 EA
10FH4000	310 FAN HOUSING STAMPED	1.000 EA
51XF2520A08	SCREW, HEX SER SLT HD, ZN 1/4-20 X .50 L	4.000 EA
10CB3500SP	CONDUIT BOX LID, CAST	1.000 EA
10GS1000SP	GASKET, CONDUIT BOX LID	1.000 EA

Parts List (continued)		
Part Number	Description	Quantity
51XW2520A12	.25-20 X .75, TAPTITE II, HEX WSHR SLTD	4.000 EA
HW4600B41	V-RING SLINGER 2.125 X 2.880 X 0.280	1.000 EA
HW2501E21	KEY, 1/4 SQ X 2.375	1.000 EA
LB1115N	LABEL,LIFTING DEVICE (ON ROLLS)	1.000 EA
HW4500A21	1618BALEMITE FITTING 825 UNIVERSAL	1.000 EA
HA4017A01	1/8 X 4 GREASE EXT (F/S)	1.000 EA
HW4500A17	317400 ALEMITE GREASE RELIEF	1.000 EA
HA4054	SHORT T-DRAIN FITTING, .125" N.P.T.	1.000 EA
HA4051A00	PLASTIC CAP FOR GREASE FITTING	1.000 EA
MJ1000A02	GREASE, MOBIL POLYREX EM - 124047	0.200 LB
HW4500A03	GREASE FITTING, .125 NPT 1610(ALEMITE) 8	1.000 EA
HW4500A17	317400 ALEMITE GREASE RELIEF	1.000 EA
HA4054	SHORT T-DRAIN FITTING, .125" N.P.T.	1.000 EA
HA4051A00	PLASTIC CAP FOR GREASE FITTING	1.000 EA
HW2500A25	WOODRUFF KEY USA #1008 #BLOW CARBON STEE	1.000 EA
51XB1214A20	12-14X1.25 HXWSSLD SERTYB	1.000 EA
MG1000Y03	MUNSELL 2.53Y 6.70/ 4.60, GLOSS 20,	0.070 GA
85XU0407S04	4X1/4 U DRIVE PIN STAINLESS	4.000 EA
LB1119N	WARNING LABEL	1.000 EA
LC0181	CONNECTION LABEL	1.000 EA
NP3443LUA	SS SUPER-E UL CSA-EEV PREM CC	1.000 EA
12PA1000	PACKAGING GROUP PRINT PK1024A07	1.000 EA
MN416A01	TAG-INSTAL-MAINT no wire (2100/bx) 4/22	1.000 EA
FE-0000022	ZRTG FE ASSEMBLY	1.000 EA

AC Induction Motor Performance Data

Record # 30898

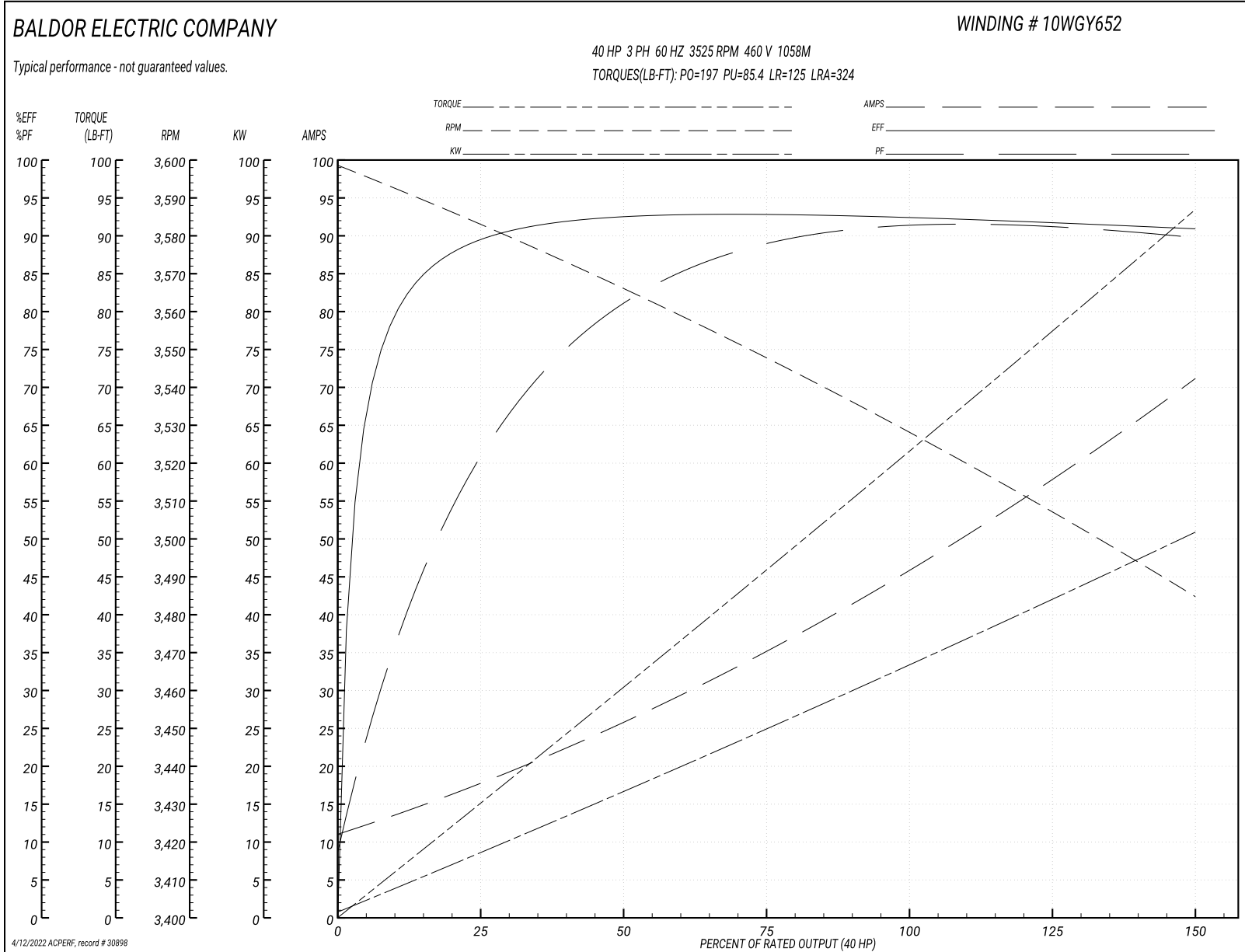
Typical performance - not guaranteed values

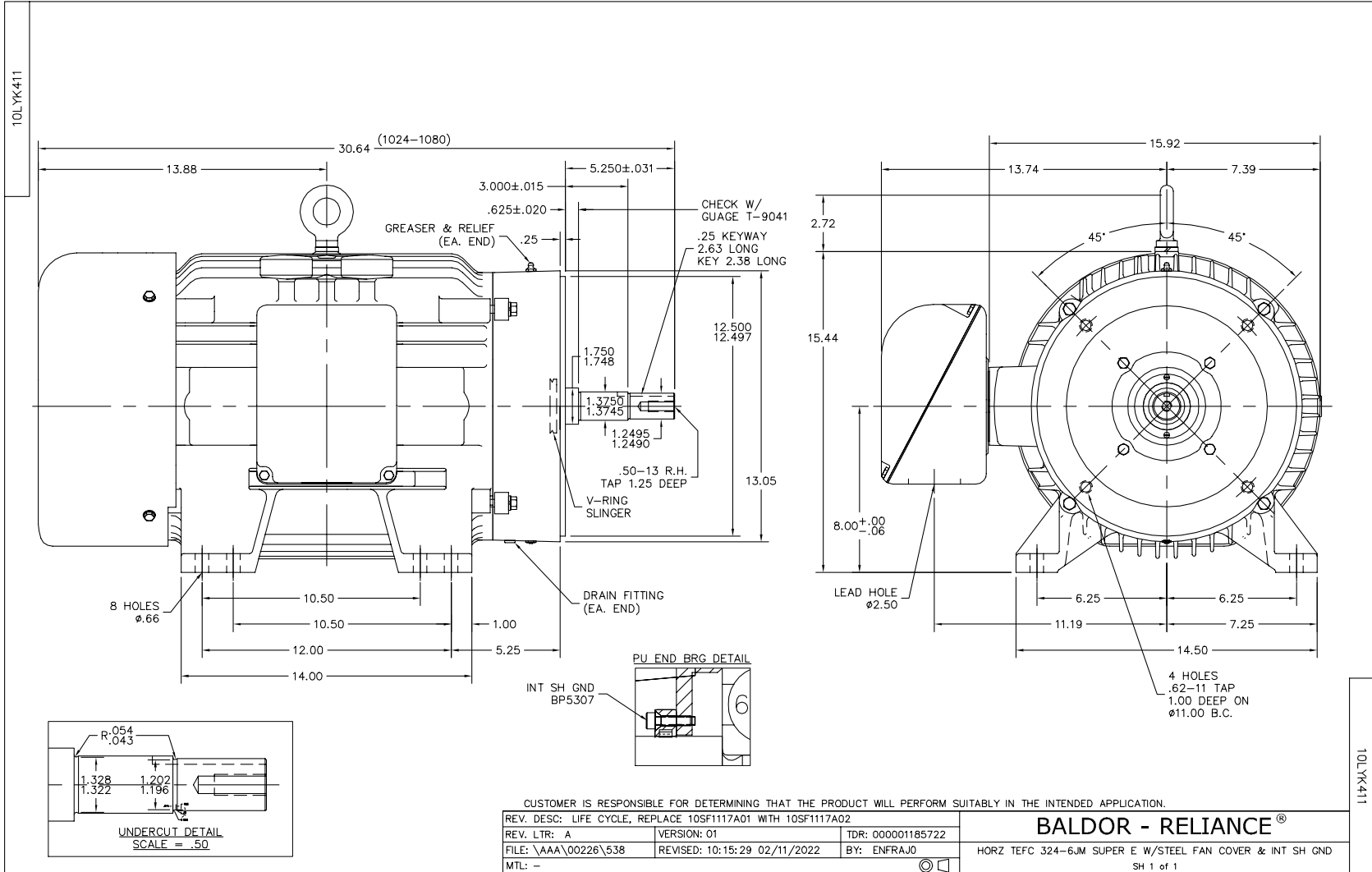
Winding: 10WGY652-R001		Type: 1058M	Enclosure: TEFC	
Nameplate Data			460 V, 60 Hz: High Voltage Connection	
Rated Output (HP)	40	Full Load Torque	59.5 LB-FT	
Volts	230/460	Start Configuration	direct on line	
Full Load Amps	90/45	Breakdown Torque	197 LB-FT	
R.P.M.	3525	Pull-up Torque	85.4 LB-FT	
Hz	60 Phase	Locked-rotor Torque	125 LB-FT	
NEMA Design Code	B KVA Code	Starting Current	324 A	
Service Factor (S.F.)	1.15	No-load Current	12 A	
NEMA Nom. Eff.	92.4 Power Factor	Line-line Res. @ 25°C	0.14992 Ω	
Rating - Duty	40C AMB-CONT	Temp. Rise @ Rated Load	78°C	
S.F. Amps		Temp. Rise @ S.F. Load	97°C	
		Locked-rotor Power Factor	23	
		Rotor inertia	2.49 LB-FT ²	

Load Characteristics 460 V, 60 Hz, 40 HP

% of Rated Load	25	50	75	100	125	150	S.F.
Power Factor	65	82	88	90	90	91	90
Efficiency	90.7	93.4	93.7	93.2	92.4	91.1	92.7
Speed	3583.2	3567.3	3549.7	3530.6	3511.2	3484.5	3519
Line amperes	16.3	24.7	34.3	45.1	56.3	70.6	51.8

Performance Graph at 460V, 60Hz, 40.0HP Typical performance - Not guaranteed values

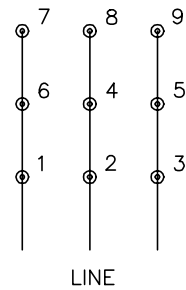




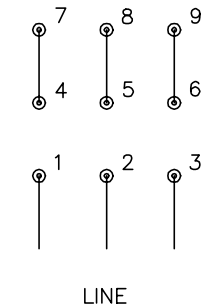
CD0180



LOW VOLTAGE
(2D)



HIGH VOLTAGE
(1D)



NOTES:

1. INTERCHANGE ANY TWO LINE LEADS TO REVERSE ROTATION.
2. OPTIONAL THERMOSTATS ARE PROVIDED WHEN SPECIFIED.
3. ACTUAL NUMBER OF INTERNAL PARALLEL CIRCUITS MAY BE A MULTIPLE OF THOSE SHOWN ABOVE.
4. LEAD COLORS ARE OPTIONAL. LEADS MUST ALWAYS BE NUMBERED AS SHOWN.

CD0180

REV. DESC: ADD CLASS CONN00000007		
REV. LTR: D	VERSION: 01	TDR: 000001099922
FILE: \AAA\00005\148	REVISED: 10:25:29 02/19/2019	BY: ENBRIRO
MTL: -	© □	

BALDOR - RELIANCE®

3PH, DV, 9 LEADS, DELTA CONNECTION

SH 1 of 1

Marketing maintained PDF of MN416:

<http://www.baldor.com/support/Literature/Load.ashx/MN416?ManNumber=MN416>