

**BALDOR® • RELIANCE** 

**Product Information Packet**

**EJMM4115T**

**50HP, 1775RPM, 3PH, 60HZ, 326JM, 1272M, TEFC, F**

Part Detail							
Revision:	B	Status:	PRD/A	Change #:		Proprietary:	No
Type:	AC	Elec. Spec:	12WGZ279	CD Diagram:	CD0180	Mfg Plant:	
Mech. Spec:	12J43	Layout:	12LYJ043	Poles:	04	Created Date:	02-03-2021
Base:	RG	Eff. Date:	02-16-2022	Leads:	9#6		

Specs			
Catalog Number:	EJMM4115T	Heater Indicator:	No Heater
Enclosure:	TEFC	Insulation Class:	F
Frame:	326JM	Inverter Code:	Inverter Ready
Frame Material:	Iron	KVA Code:	H
Output @ Frequency:	50.000 HP @ 60 HZ	Lifting Lugs:	Standard Lifting Lugs
Synchronous Speed @ Frequency:	1800 RPM @ 60 HZ	Locked Bearing Indicator:	Locked Bearing
Voltage @ Frequency:	460.0 V @ 60 HZ	Motor Lead Quantity/Wire Size:	9 @ 6 AWG
	230.0 V @ 60 HZ	Motor Lead Exit:	Ko Box
XP Class and Group:	None	Motor Lead Termination:	Flying Leads
XP Division:	Not Applicable	Motor Type:	1272M
Agency Approvals:	UR	Mounting Arrangement:	F1
	CSA EEV	Power Factor:	85
	CSA	Product Family:	General Purpose
Auxillary Box:	No Auxillary Box	Pulley End Bearing Type:	Ball
Auxillary Box Lead Termination:	None	Pulley Face Code:	C-Face
Base Indicator:	Rigid	Pulley Shaft Indicator:	Tapped & Key
Bearing Grease Type:	Polyrex EM (-20F +300F)	Rodent Screen:	None
Blower:	None	Shaft Extension Location:	Pulley End

<b>Current @ Voltage:</b>	116.000 A @ 230.0 V	<b>Shaft Ground Indicator:</b>	No Shaft Grounding
	128.000 A @ 208.0 V	<b>Shaft Rotation:</b>	Reversible
	58.000 A @ 460.0 V	<b>Shaft Slinger Indicator:</b>	Shaft Slinger
<b>Design Code:</b>	A	<b>Speed Code:</b>	Single Speed
<b>Drip Cover:</b>	No Drip Cover	<b>Motor Standards:</b>	NEMA
<b>Duty Rating:</b>	CONT	<b>Starting Method:</b>	Direct on line
<b>Electrically Isolated Bearing:</b>	Not Electrically Isolated	<b>Thermal Device - Bearing:</b>	None
<b>Feedback Device:</b>	NO FEEDBACK	<b>Thermal Device - Winding:</b>	None
<b>Front Face Code:</b>	Standard	<b>Vibration Sensor Indicator:</b>	No Vibration Sensor
<b>Front Shaft Indicator:</b>	None	<b>Winding Thermal 1:</b>	None
		<b>Winding Thermal 2:</b>	None

<b>Nameplate NP3443LUA</b>										
CAT.NO.	EJMM4115T				CUST. P/N				ENCL	TEFC
SPEC.	12J043Z279G2		CC	010A	FRAME	326JM		SER.NO.		
HP	50		CLASS	F	HZ	60				
R.P.M.	1775		PH.	3	DES.	A				
VOLTS	230/460		CODE	H	ODE BRG	6311		DE BRG	6312	
AMPS	116/58		USABLE AT 208V	126						
RATING	40C AMB-CONT		NEMA NOM. EFF.	94.5		GREASE	POLYREX EM			
P.F.	85		SER.F.	1.15		CT6-60H(10:1)VT3-60H(20:1)				
USABLE AT	50HZ 50HP 190/380V 139/69.5A				SF1.0					
VOLTS		AMPS		MAX. SPACE HEATER TEMP.						

Parts List		
Part Number	Description	Quantity
SA390450	SA 12J043Z279G2	1.000 EA
RA380899	RA 12J043Z279G2	1.000 EA
09FN3001C03	EXTERNAL FAN, PLASTIC (COMES W/SCREW FRO	1.000 EA
10CB3001	CONDUIT BOX CAST W/2.500 LEAD HOLE	1.000 EA
09GS1000SP	GASKET-CONDUIT BOX, 1/16 THICK LEXIDE	1.000 EA
10XN3118K12	5/16-18 X .75 GRADE 5, ZINC PLATED	4.000 EA
HW1001A31	LOCKWASHER 5/16, ZINC PLT.591 OD, .319 I	4.000 EA
WD1000B25	GND LUG, BURNDY L125HP OR T&B L125HP-BB	1.000 EA
19XW3118G08	.31-18X.50,HEX WSHR HD,TAPTITE 2,GREEN	1.000 EA
HW1001A31	LOCKWASHER 5/16, ZINC PLT.591 OD, .319 I	4.000 EA
10XN5013K28	1/2-13 X 1.75 HEX HEAD MACH SCREW,GRAD	4.000 EA
HW1001A50	LOCKWASHER 1/2, ZINC PLT.,.879 OD, .509 I	4.000 EA
HW4600B41	V-RING SLINGER 2.125 X 2.880 X 0.280	1.000 EA
12EP1107A05	FR ENDPLATE, MACH	1.000 EA
HA3400A13	STUD, 1/2-13 X 7" WELKER	4.000 EA
HW1001A50	LOCKWASHER 1/2, ZINC PLT.,.879 OD, .509 I	4.000 EA
HW5100A13	W4627-047 WVY WSHER	1.000 EA
12EP1105A01	PU ENDPLATE	1.000 EA
HW1001A50	LOCKWASHER 1/2, ZINC PLT.,.879 OD, .509 I	4.000 EA
10XN3118K40	5/16-18 X 2.25" HEX HD, GRADE 5	2.000 EA
HW1001A31	LOCKWASHER 5/16, ZINC PLT.591 OD, .319 I	2.000 EA
10XN3118K40	5/16-18 X 2.75" HEX HD, GRADE 5	4.000 EA
12FH1002SP	FAN COVER, CAST	1.000 EA
XY5013A12	NUT,1/2-13,HEX,STEEL,ZINCPLATED	4.000 EA

Parts List (continued)		
Part Number	Description	Quantity
10CB3500SP	CONDUIT BOX LID, CAST	1.000 EA
10GS1000SP	GASKET, CONDUIT BOX LID	1.000 EA
51XW2520A12	.25-20 X .75, TAPTITE II, HEX WSHR SLTD	4.000 EA
HW2501E23	KEY, 1/4 SQ X 2.625	1.000 EA
LB1115N	LABEL,LIFTING DEVICE (ON ROLLS)	1.000 EA
HW4500A21	1618BALEMITE FITTING 825 UNIVERSAL	1.000 EA
HA4017A01	1/8 X 4 GREASE EXT (F/S)	1.000 EA
HW4500A17	317400 ALEMITE GREASE RELIEF	1.000 EA
HA4054	SHORT T-DRAIN FITTING, .125" N.P.T.	1.000 EA
HA4051A00	PLASTIC CAP FOR GREASE FITTING	1.000 EA
MJ1000A02	GREASE, MOBIL POLYREX EM - 124047	0.200 LB
HW4500A03	GREASE FITTING, .125 NPT 1610(ALEMITE) 8	1.000 EA
HW4500A17	317400 ALEMITE GREASE RELIEF	1.000 EA
HA4054	SHORT T-DRAIN FITTING, .125" N.P.T.	1.000 EA
HA4051A00	PLASTIC CAP FOR GREASE FITTING	1.000 EA
HW2500A25	WOODRUFF KEY USA #1008 #BLOW CARBON STEE	1.000 EA
MG1000Y03	MUNSELL 2.53Y 6.70/ 4.60, GLOSS 20,	0.080 GA
85XU0407S04	4X1/4 U DRIVE PIN STAINLESS	4.000 EA
LB1119N	WARNING LABEL	1.000 EA
LC0181	CONNECTION LABEL	1.000 EA
NP3443LUA	SS SUPER-E UL CSA-EEV PREM CC	1.000 EA
12PA1000	PACKAGING GROUP PRINT PK1024A07	1.000 EA
MN416A01	TAG-INSTAL-MAINT no wire (2100/bx) 4/22	1.000 EA
PE-0000013	ZRTG PE ASSEMBLY	1.000 EA

FE-000022	ZRTG FE ASSEMBLY	1.000 EA
-----------	------------------	----------

**AC Induction Motor Performance Data**

Record # 85607

Preliminary Data Sheet

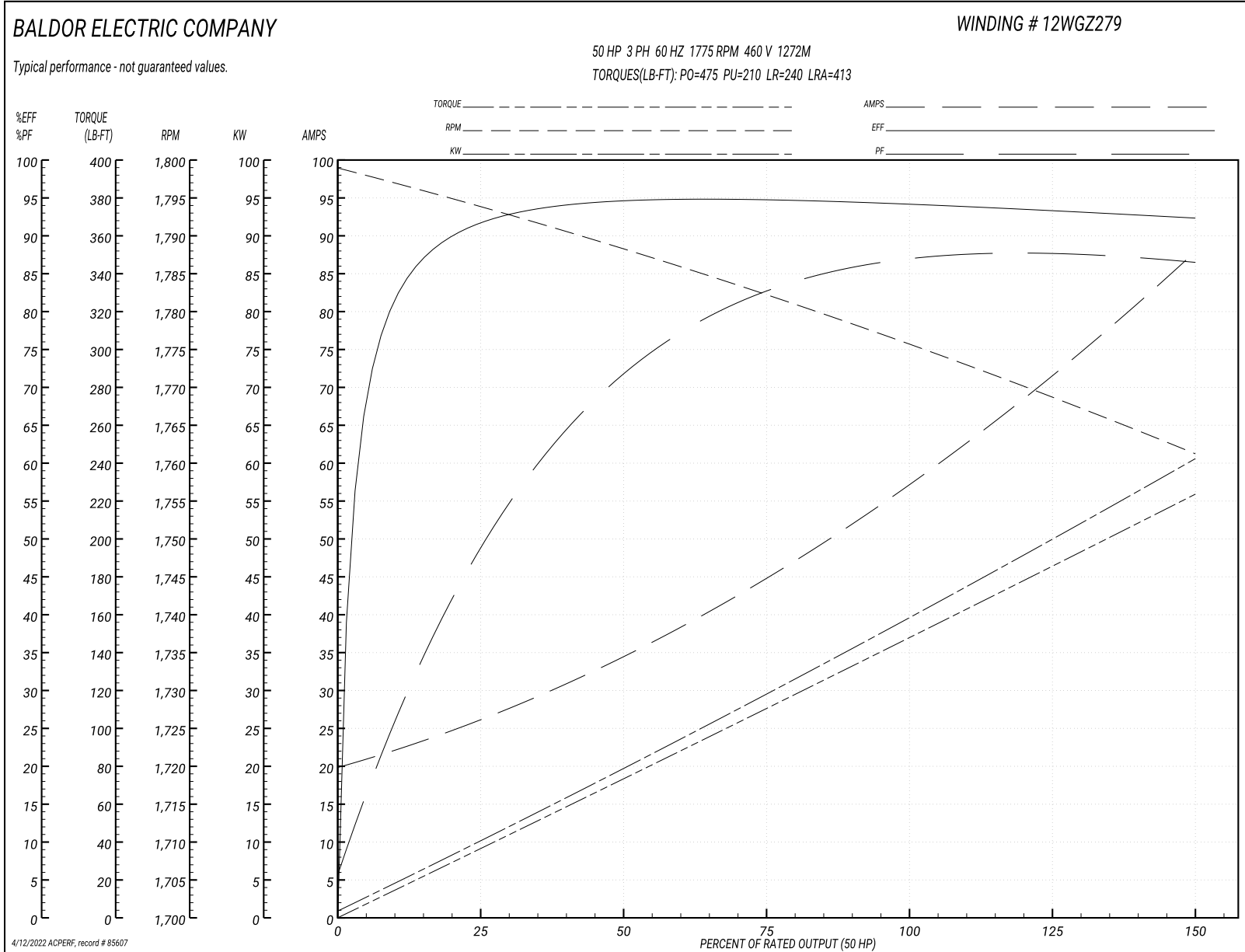
<b>Winding: 12WGZ279-R001</b>		<b>Type: 1272M</b>		<b>Enclosure: TEFC</b>			
<b>Nameplate Data</b>			<b>460 V, 60 Hz: High Voltage Connection</b>				
<b>Rated Output (HP)</b>	50	<b>Full Load Torque</b>	147.8 LB-FT				
<b>Volts</b>	230/460	<b>Start Configuration</b>	direct on line				
<b>Full Load Amps</b>	116/58	<b>Breakdown Torque</b>	475 LB-FT				
<b>R.P.M.</b>	1775	<b>Pull-up Torque</b>	210 LB-FT				
<b>Hz</b>	60 <b>Phase</b>	3	<b>Locked-rotor Torque</b>	240 LB-FT			
<b>NEMA Design Code</b>	A	<b>KVA Code</b>	H	<b>Starting Current</b>	413 A		
<b>Service Factor (S.F.)</b>	1.15	<b>No-load Current</b>	20.8 A				
<b>NEMA Nom. Eff.</b>	94.5	<b>Power Factor</b>	85	<b>Line-line Res. @ 25°C</b>	0.114 Ω		
<b>Rating - Duty</b>	40C	<b>AMB-CONT</b>	<b>Temp. Rise @ Rated Load</b>			68°C	
<b>S.F. Amps</b>	132/68	<b>Temp. Rise @ S.F. Load</b>	88°C				
		<b>Locked-rotor Power Factor</b>	29.7				
		<b>Rotor inertia</b>	9.59 lb-ft <sup>2</sup>				

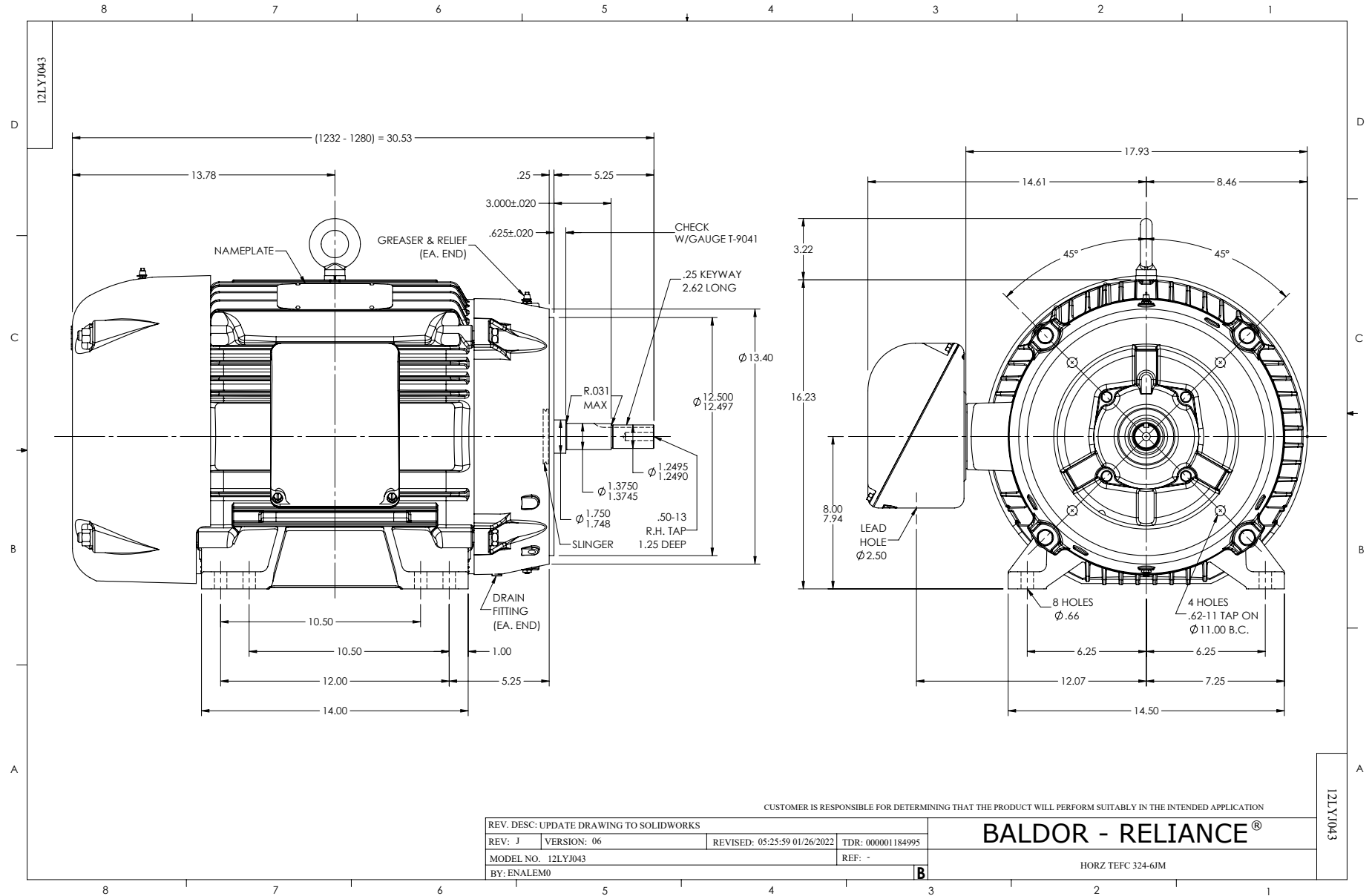
**Load Characteristics 460 V, 60 Hz, 50 HP**

<b>% of Rated Load</b>	<b>25</b>	<b>50</b>	<b>75</b>	<b>100</b>	<b>125</b>	<b>150</b>	<b>S.F.</b>
<b>Power Factor</b>	52	73	82	86	87	87	87
<b>Efficiency</b>	91.5	94.4	94.8	94.6	94	93.2	94.1
<b>Speed</b>	1794	1788	1782	1776	1769	1761	1770
<b>Line amperes</b>	24.8	33.9	45.3	57.9	71.6	87.5	66.1



Performance Graph at 460V, 60Hz, 50.0HP Typical performance - Not guaranteed values

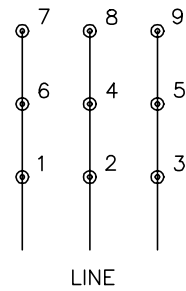




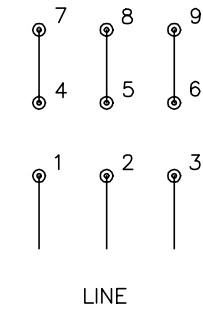
CD0180



LOW VOLTAGE  
(2D)



HIGH VOLTAGE  
(1D)



NOTES:

1. INTERCHANGE ANY TWO LINE LEADS TO REVERSE ROTATION.
2. OPTIONAL THERMOSTATS ARE PROVIDED WHEN SPECIFIED.
3. ACTUAL NUMBER OF INTERNAL PARALLEL CIRCUITS MAY BE A MULTIPLE OF THOSE SHOWN ABOVE.
4. LEAD COLORS ARE OPTIONAL. LEADS MUST ALWAYS BE NUMBERED AS SHOWN.

CD0180

REV. DESC: ADD CLASS CONN00000007		
REV. LTR: D	VERSION: 01	TDR: 000001099922
FILE: \AAA\00005\148	REVISED: 10:25:29 02/19/2019	BY: ENBRIRO
MTL: -	© □	

**BALDOR - RELIANCE®**

3PH, DV, 9 LEADS, DELTA CONNECTION

SH 1 of 1

Marketing maintained PDF of MN416:

<http://www.baldor.com/support/Literature/Load.ashx/MN416?ManNumber=MN416>