

**BALDOR® • RELIANCE** 

**Product Information Packet**

**EJPM3212T**

**5HP/3500RPM/3PH/OPSB/NEMA 182JP**

Part Detail							
Revision:	H	Status:	PRD/A	Change #:		Proprietary:	No
Type:	AC	Elec. Spec:	36WGS040	CD Diagram:	CD0005	Mfg Plant:	
Mech. Spec:	36J514	Layout:	36LYJ514	Poles:	02	Created Date:	05-28-2015
Base:	RG	Eff. Date:	11-24-2020	Leads:	9#16		

Specs			
Catalog Number:	EJPM3212T	Insulation Class:	F
Enclosure:	OPSB	Inverter Code:	Inverter Ready
Frame:	182JP	IP Rating:	NONE
Frame Material:	Steel	KVA Code:	K
Output @ Frequency:	5.000 HP @ 60 HZ	Lifting Lugs:	No Lifting Lugs
Synchronous Speed @ Frequency:	3600 RPM @ 60 HZ	Locked Bearing Indicator:	Locked Bearing
Voltage @ Frequency:	460.0 V @ 60 HZ	Motor Lead Quantity/Wire Size:	9 @ 16 AWG
	230.0 V @ 60 HZ	Motor Lead Exit:	Ko Box
XP Class and Group:	None	Motor Lead Termination:	Flying Leads
XP Division:	Not Applicable	Motor Type:	3622M
Agency Approvals:	CSA	Mounting Arrangement:	F1
	CSA EEV	Power Factor:	91
	UR	Product Family:	General Purpose
Auxillary Box:	No Auxillary Box	Pulley End Bearing Type:	Ball
Auxillary Box Lead Termination:	None	Pulley Face Code:	C-Face
Base Indicator:	Rigid	Pulley Shaft Indicator:	Tapped & Key
Bearing Grease Type:	Polyrex EM (-20F +300F)	Rodent Screen:	Included
Blower:	None	RoHS Status:	ROHS COMPLIANT

Product Information Packet: EJPM3212T - 5HP/3500RPM/3PH/OPSB/NEMA 182JP

<b>Current @ Voltage:</b>	12.000 A @ 230.0 V	<b>Shaft Extension Location:</b>	Pulley End
	12.800 A @ 208.0 V	<b>Shaft Ground Indicator:</b>	No Shaft Grounding
	6.000 A @ 460.0 V	<b>Shaft Rotation:</b>	Reversible
<b>Design Code:</b>	A	<b>Shaft Slinger Indicator:</b>	Shaft Slinger
<b>Drip Cover:</b>	No Drip Cover	<b>Speed Code:</b>	Single Speed
<b>Duty Rating:</b>	CONT	<b>Motor Standards:</b>	NEMA
<b>Electrically Isolated Bearing:</b>	Not Electrically Isolated	<b>Starting Method:</b>	Direct on line
<b>Feedback Device:</b>	NO FEEDBACK	<b>Thermal Device - Bearing:</b>	None
<b>Front Face Code:</b>	Standard	<b>Thermal Device - Winding:</b>	None
<b>Front Shaft Indicator:</b>	None	<b>Vibration Sensor Indicator:</b>	No Vibration Sensor
<b>Heater Indicator:</b>	No Heater	<b>Winding Thermal 1:</b>	None
		<b>Winding Thermal 2:</b>	None

<b>Nameplate NP3553LUA</b>										
<b>CAT.NO.</b>	EJPM3212T									
<b>SPEC.</b>	36J514S040G2									
<b>HP</b>	5									
<b>VOLTS</b>	230/460									
<b>AMPS</b>	12/6									
<b>RPM</b>	3450									
<b>FRAME</b>	182JP				<b>HZ</b>	60			<b>PH</b>	3
<b>SF</b>	1.15		<b>CODE</b>	K	<b>DES</b>	A		<b>CLASS</b>	F	
<b>NEMA NOM. EFF</b>	86.5		<b>PF</b>	91						
<b>RATING</b>	40C AMB-CONT									
<b>CC</b>	010A				<b>USABLE AT 208V</b>			12.8		
<b>DE</b>	6207				<b>ODE</b>	6205				
<b>ENCL</b>	OPSB		<b>SN</b>							
<b>VPWM INVERTER READY</b>										
<b>CT30-60(2:1) VT3-60(20:1)</b>										
<b>USABLE AT</b>	50Hz 5HP 190/380V 14.6/7.3A								SF1.0	

Parts List		
Part Number	Description	Quantity
SA302304	SA 36J514S040G2	1.000 EA
RA289398	RA 36J514S040G2	1.000 EA
36CB3004	36 CB CASTING W/1.09 DIA LEAD HOLE @ 6:0	1.000 EA
51XB1016A07	10-16 X 7/16 HXWSSLD SERTYB	2.000 EA
11XW1032G06	10-32 X .38, TAPTITE II, HEX WSHR SLTD U	1.000 EA
HW3001B01	BRASS CUP WASHER, FOR #10 SCREW	1.000 EA
36EP3204D00	MASTER ODE,205 BRG,GRSR,RLF	1.000 EA
HW4500A01	1641B(ALEMITE)400 UNIV, GREASE FITT	1.000 EA
HW4500A17	317400 ALEMITE GREASE RELIEF	1.000 EA
HA1103A08	RODENT SCREEN, 36 FRAME, OPEN, FRONT END	1.000 EA
51XW1032A06	10-32 X .38, TAPTITE II, HEX WSHR SLTD S	4.000 EA
HW1000A10	#10 FLAT WASHER (SAE)	4.000 EA
HW5100A05	WVY WSHR F/205 & 304 BRGS	1.000 EA
36EP3405A04	PUEP 182-4C OPEN 207 BRG W/ TSLV, GRSR	1.000 EA
HW4500A01	1641B(ALEMITE)400 UNIV, GREASE FITT	1.000 EA
HW4500A17	317400 ALEMITE GREASE RELIEF	1.000 EA
HA1102A07	RODENT SCREEN 36 OPEN FACE	2.000 EA
11XF1032A04	10-32X1/4HXWSHR HDSLTDTYF	4.000 EA
HW1000A10	#10 FLAT WASHER (SAE)	4.000 EA
10XN2520A24	1/4-20X 1 1/2 HEX HD X	4.000 EA
HW1001A25	LOCKWASHER 1/4, ZINC PLT .493 OD, .255 I	4.000 EA
36CB4516	750LIPPED CB LID - GALVANNEAL	1.000 EA
51XW0832A07	8-32 X .44, TAPTITE II, HEX WSHR SLTD SE	4.000 EA
HA2009A01	36-4613 SL ANOD. ALUM (STER	1.000 EA

<b>Parts List (continued)</b>		
<b>Part Number</b>	<b>Description</b>	<b>Quantity</b>
80XN1032A06	10-32 X 3/8 SET SC HEX SOCK	1.000 EA
HW2501D15	KEY, 3/16 X 1.625	1.000 EA
HA7000A01	KEY RETAINER 7/8" DIA SHAFT	1.000 EA
85XU0407S04	4X1/4 U DRIVE PIN STAINLESS	2.000 EA
MJ1000A02	GREASE, MOBIL POLYREX EM - 124047	0.050 LB
MG1000Y03	MUNSELL 2.53Y 6.70/ 4.60, GLOSS 20,	0.022 GA
36AD2004A01	BAFFLE PLATE,MOD 36-SLTD BAND MTRS DELTA	2.000 EA
HA3101A46	tHRUBOLT- 1/4-20 X 10.00 X	4.000 EA
LC0005E01	CONN.DIA./WARNING LABEL (LC0005/LB1119N)	1.000 EA
NP3553LUA	ALUM SUPER-E VPWM INVERTER READY UL	1.000 EA
G7PA1000	PKG GRP, PRINT PK1034A06	1.000 EA
MN416A01	TAG-INSTAL-MAINT no wire (2100/bx) 4/22	1.000 EA
FE-0000001	ZRTG FE ASSEMBLY	1.000 EA

**AC Induction Motor Performance Data**

Record # 53354

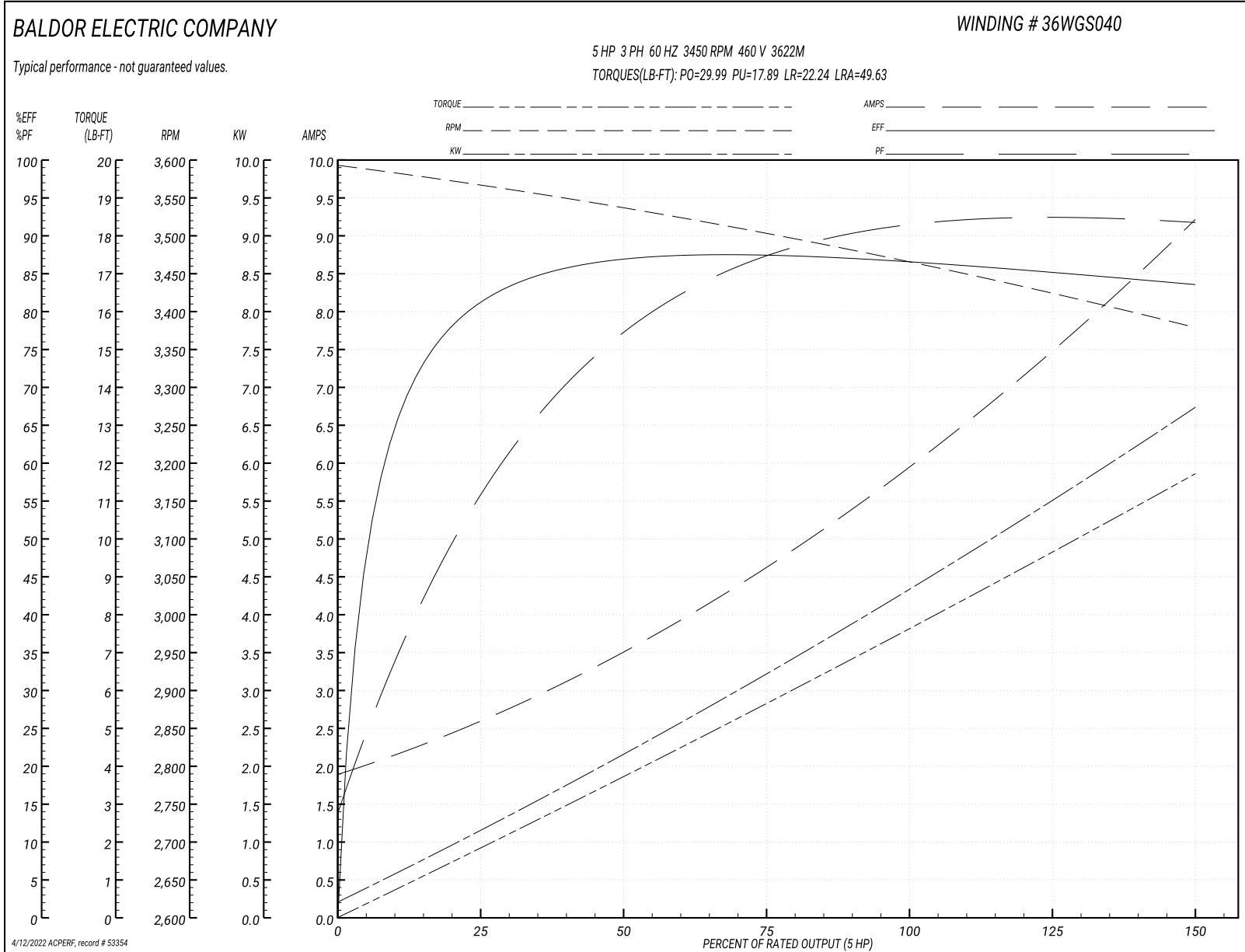
Typical performance - not guaranteed values

<b>Winding: 36WGS040-R014</b>		<b>Type: 3622M</b>		<b>Enclosure: OPSB</b>	
<b>Nameplate Data</b>			<b>460 V, 60 Hz: High Voltage Connection</b>		
<b>Rated Output (HP)</b>	5	<b>Full Load Torque</b>	7.66 LB-FT		
<b>Volts</b>	230/460	<b>Start Configuration</b>	direct on line		
<b>Full Load Amps</b>	12/6	<b>Breakdown Torque</b>	29.99 LB-FT		
<b>R.P.M.</b>	3450	<b>Pull-up Torque</b>	17.89 LB-FT		
<b>Hz</b>	60 <b>Phase</b>	3	<b>Locked-rotor Torque</b>	22.24 LB-FT	
<b>NEMA Design Code</b>	A <b>KVA Code</b>	K	<b>Starting Current</b>	49.63 A	
<b>Service Factor (S.F.)</b>	1.15		<b>No-load Current</b>	1.99 A	
<b>NEMA Nom. Eff.</b>	86.5 <b>Power Factor</b>	91	<b>Line-line Res. @ 25°C</b>	3.07 Ω	
<b>Rating - Duty</b>	40C AMB-CONT		<b>Temp. Rise @ Rated Load</b>	34°C	
<b>S.F. Amps</b>			<b>Temp. Rise @ S.F. Load</b>	42°C	
			<b>Locked-rotor Power Factor</b>	49.2	
			<b>Rotor inertia</b>	0.0988 LB-FT <sup>2</sup>	

**Load Characteristics 460 V, 60 Hz, 5 HP**

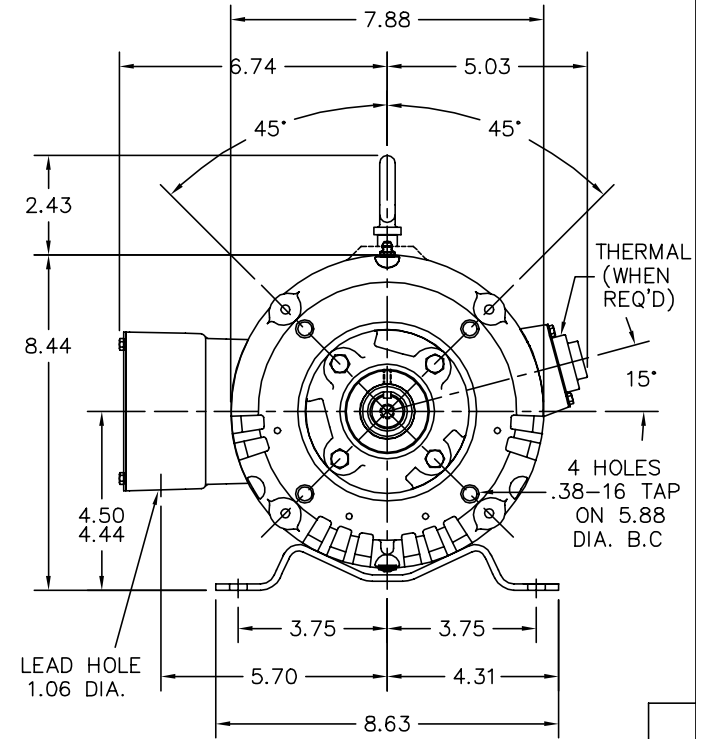
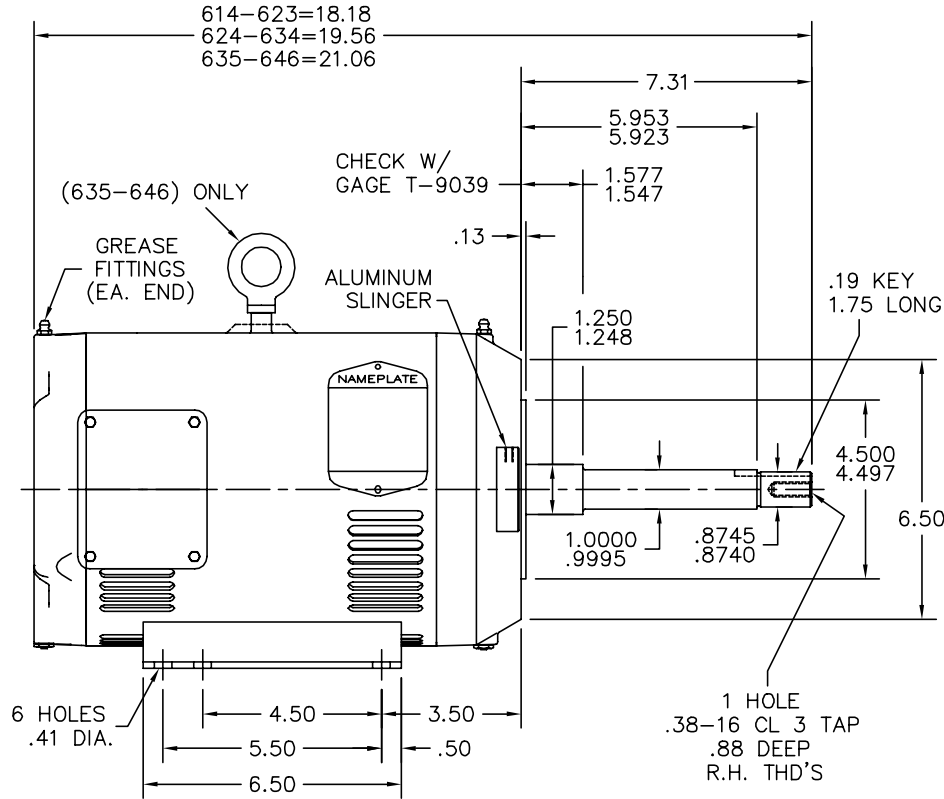
<b>% of Rated Load</b>	<b>25</b>	<b>50</b>	<b>75</b>	<b>100</b>	<b>125</b>	<b>150</b>	<b>S.F.</b>
<b>Power Factor</b>	61	79	87	90	92	93	92
<b>Efficiency</b>	81.4	86.5	87.6	86.6	85.3	83.5	86.1
<b>Speed</b>	3566	3535	3503	3465	3423	3379	3445
<b>Line amperes</b>	2.5	3.49	4.68	6.06	7.56	9.15	6.91

Performance Graph at 460V, 60Hz, 5.0HP Typical performance - Not guaranteed values





36LYJ514



CUSTOMER IS RESPONSIBLE FOR DETERMINING THAT BALDOR'S PRODUCT WILL PERFORM SUITABLY IN THE INTENDED APPLICATION.

REV. DESC: CHANGE FREP: WAS 36EP3200A25 NOW 36EP3204D00		
REV. LTR: A	VERSION: 01	TDR: 000001105395
FILE: \AAA\00069\080	REVISED: 12:35:05 04/10/2019	BY: FGCHAH1
MTL: -	⊙ ⊐	

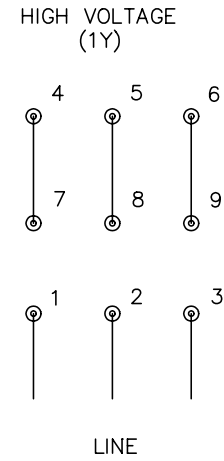
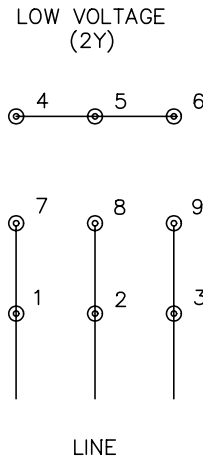
**BALDOR - RELIANCE®**

HORZ 182-4JP OPSB 36M

SH 1 of 1

36LYJ514

CD0005



NOTES:

1. INTERCHANGE ANY TWO LINE LEADS TO REVERSE ROTATION.
2. OPTIONAL THERMOSTATS ARE PROVIDED WHEN SPECIFIED.
3. ACTUAL NUMBER OF INTERNAL PARALLEL CIRCUITS MAY BE A MULTIPLE OF THOSE SHOWN ABOVE.
4. LEAD COLORS ARE OPTIONAL. LEADS MUST ALWAYS BE NUMBERED AS SHOWN.

REV. DESC: REVISE TO SHOW OPTIONAL COLORS			
REV. LTR: E	BY: JLP	REVISED: 01/19/99 10:15	TDR: 0171435
90000		FILE: AAA00005140	MDL: -
		MTL: -	

**BALDOR ELECTRIC Co.**

3PH, DV, 9 LEADS

CD0005