

BALDOR® • RELIANCE 

Product Information Packet

EM2402T

10HP,880RPM,3PH,60HZ,284T,1046M,TEFC,F1

| Part Detail | | | | | | | |
|-------------|--------|-------------|------------|-------------|--------|---------------|------------|
| Revision: | M | Status: | PRD/A | Change #: | | Proprietary: | No |
| Type: | AC | Elec. Spec: | 10WGZ392 | CD Diagram: | CD0180 | Mfg Plant: | |
| Mech. Spec: | 10C151 | Layout: | 10LYC151 | Poles: | 08 | Created Date: | 04-06-2015 |
| Base: | RG | Eff. Date: | 06-16-2021 | Leads: | 9#10 | | |

| Specs | | | |
|---------------------------------|-------------------------|--------------------------------|-----------------------|
| Catalog Number: | EM2402T | Heater Indicator: | No Heater |
| Enclosure: | TEFC | Insulation Class: | F |
| Frame: | 284T | Inverter Code: | Inverter Ready |
| Frame Material: | Iron | KVA Code: | H |
| Output @ Frequency: | 10.000 HP @ 60 HZ | Lifting Lugs: | Standard Lifting Lugs |
| Synchronous Speed @ Frequency: | 900 RPM @ 60 HZ | Locked Bearing Indicator: | Locked Bearing |
| Voltage @ Frequency: | 460.0 V @ 60 HZ | Motor Lead Quantity/Wire Size: | 9 @ 10 AWG |
| | 230.0 V @ 60 HZ | Motor Lead Exit: | Ko Box |
| XP Class and Group: | None | Motor Lead Termination: | Flying Leads |
| XP Division: | Not Applicable | Motor Type: | 1046M |
| Agency Approvals: | UR | Mounting Arrangement: | F1 |
| | CSA EEV | Power Factor: | 71 |
| | CSA | Product Family: | General Purpose |
| Auxillary Box: | No Auxillary Box | Pulley End Bearing Type: | Ball |
| Auxillary Box Lead Termination: | None | Pulley Face Code: | Standard |
| Base Indicator: | Rigid | Pulley Shaft Indicator: | Standard |
| Bearing Grease Type: | Polyrex EM (-20F +300F) | Rodent Screen: | None |
| Blower: | None | Shaft Extension Location: | Pulley End |

| | | | |
|---------------------------------------|---------------------------|------------------------------------|---------------------|
| Current @ Voltage: | 14.600 A @ 460.0 V | Shaft Ground Indicator: | No Shaft Grounding |
| | 29.200 A @ 230.0 V | Shaft Rotation: | Reversible |
| | 30.000 A @ 208.0 V | Shaft Slinger Indicator: | Shaft Slinger |
| Design Code: | B | Speed Code: | Single Speed |
| Drip Cover: | No Drip Cover | Motor Standards: | NEMA |
| Duty Rating: | CONT | Starting Method: | Direct on line |
| Electrically Isolated Bearing: | Not Electrically Isolated | Thermal Device - Bearing: | None |
| Feedback Device: | NO FEEDBACK | Thermal Device - Winding: | None |
| Front Face Code: | Standard | Vibration Sensor Indicator: | No Vibration Sensor |
| Front Shaft Indicator: | None | Winding Thermal 1: | None |
| | | Winding Thermal 2: | None |

| Nameplate NP2138L | | | | | | | | | | | | |
|-------------------|--------------|----|----------|----------------|------------|-------|------|-----------|------|--|--------|------|
| CAT.NO. | EM2402T | | | P/N | | | | ENCLOSURE | TEFC | | | |
| SPEC. | 10C151Z392G1 | | CC | 010A | | FRAME | 284T | | S/N | | | |
| HP | 10 | | | CLASS | F | | HZ | 60 | | | | |
| RPM | 880 | | | PH | 3 | | DES | B | | | | |
| VOLT | 230/460 | | | | KVA-CODE | H | | ODE BRG | 6309 | | DE BRG | 6311 |
| AMP | 29.2/14.6 | | | USABLE AT 208V | 30 | | | | | | | |
| RATING | 40C AMB-CONT | | | GREASE | POLYREX EM | | | | | | | |
| NEMA-NOM-EFF | 89.5 | PF | 71 | | SER.F. | 1.15 | | | | | | |
| HTR-VOLTS | | | HTR-AMPS | | | | | | | | | |

| Parts List | | |
|-------------|--|----------|
| Part Number | Description | Quantity |
| SA296440 | SA 10C151Z392G1 | 1.000 EA |
| RA282480 | RA 10C151Z392G1 | 1.000 EA |
| 10CB3000SP | KOBX, CAST W/2.00 LEAD HOLE | 1.000 EA |
| 09GS1000SP | GASKET-CONDUIT BOX, 1/16 THICK LEXIDE | 1.000 EA |
| 10XN3118K12 | 5/16-18 X .75 GRADE 5, ZINC PLATED | 4.000 EA |
| HW1001A31 | LOCKWASHER 5/16, ZINC PLT.591 OD, .319 I | 4.000 EA |
| WD1000B25 | GND LUG, BURNDY L125HP OR T&B L125HP-BB | 1.000 EA |
| 19XW3118G08 | .31-18X.50,HEX WSHR HD,TAPTITE 2,GREEN | 1.000 EA |
| 10EP1106A01 | FR ENDPLATE, MACH | 1.000 EA |
| 10XN3816K32 | BOLT, 3/8-16X2 HH YZ(5) | 4.000 EA |
| HA4017A01 | 1/8 X 4 GREASE EXT (F/S) | 1.000 EA |
| HW1001A38 | LOCKWASHER 3/8, ZINC PLT .688 OD, .382 I | 4.000 EA |
| HW5100A11 | W3917-042 WVY WSHR (WB) | 1.000 EA |
| 10XN2520K32 | 1/4-20 X 2.00 HX HD SCRW GRADE 5, ZINC P | 2.000 EA |
| HW1001A25 | LOCKWASHER 1/4, ZINC PLT .493 OD, .255 I | 2.000 EA |
| 10XN3118K40 | 5/16-18 X 2.50" HEX HD, GRADE 5 | 4.000 EA |
| HW1001A31 | LOCKWASHER 5/16, ZINC PLT.591 OD, .319 I | 4.000 EA |
| 10EP1105A01 | PU ENDPLATE | 1.000 EA |
| 10XN3816K28 | 3/8-16 X 1.75 HEX HD CAP SCREW, GRADE 5 | 4.000 EA |
| HW1001A38 | LOCKWASHER 3/8, ZINC PLT .688 OD, .382 I | 4.000 EA |
| 10FH4000 | 310 FAN HOUSING STAMPED | 1.000 EA |
| 51XF2520A08 | SCREW, HEX SER SLT HD, ZN 1/4-20 X .50 L | 4.000 EA |
| 10CB3500SP | CONDUIT BOX LID, CAST | 1.000 EA |
| 10GS1000SP | GASKET, CONDUIT BOX LID | 1.000 EA |

| Parts List (continued) | | |
|------------------------|--|----------|
| Part Number | Description | Quantity |
| 51XW2520A12 | .25-20 X .75, TAPTITE II, HEX WSHR SLTD | 4.000 EA |
| HW4600B40 | V-RING SLINGER 2.000 X 2.680 X .28 VITON | 1.000 EA |
| HW2501H28 | KEY, 1/2 SQ X 3.250 | 1.000 EA |
| LB1115N | LABEL,LIFTING DEVICE (ON ROLLS) | 1.000 EA |
| HA4051A00 | PLASTIC CAP FOR GREASE FITTING | 1.000 EA |
| HW4500A21 | 1618BALEMITE FITTING 825 UNIVERSAL | 1.000 EA |
| HW4500A17 | 317400 ALEMITE GREASE RELIEF | 1.000 EA |
| HA4054 | SHORT T-DRAIN FITTING, .125" N.P.T. | 1.000 EA |
| MJ1000A02 | GREASE, MOBIL POLYREX EM - 124047 | 0.130 LB |
| HA4051A00 | PLASTIC CAP FOR GREASE FITTING | 1.000 EA |
| HW4500A03 | GREASE FITTING, .125 NPT 1610(ALEMITE) 8 | 1.000 EA |
| HW4500A17 | 317400 ALEMITE GREASE RELIEF | 1.000 EA |
| HA4054 | SHORT T-DRAIN FITTING, .125" N.P.T. | 1.000 EA |
| 09FN3001C02 | EXTERNAL FAN, PLASTIC (COMES W/SCREW FRO | 1.000 EA |
| HW2500A25 | WOODRUFF KEY USA #1008 #BLOW CARBON STEE | 1.000 EA |
| MG1000Y03 | MUNSELL 2.53Y 6.70/ 4.60, GLOSS 20, | 0.125 GA |
| 85XU0407S04 | 4X1/4 U DRIVE PIN STAINLESS | 4.000 EA |
| LB1119N | WARNING LABEL | 1.000 EA |
| LC0181 | CONNECTION LABEL | 1.000 EA |
| NP2138L | ALUM SUPER-E UL CSA-EEV PREM CC (300 | 1.000 EA |
| 10PA1000 | PACKAGING GROUP COMBINED PRINT PK1023A06 | 1.000 EA |
| MN416A01 | TAG-INSTAL-MAINT no wire (2100/bx) 4/22 | 1.000 EA |
| FE-0000022 | ZRTG FE ASSEMBLY | 1.000 EA |
| PE-0000013 | ZRTG PE ASSEMBLY | 1.000 EA |

AC Induction Motor Performance Data

Record # 49978

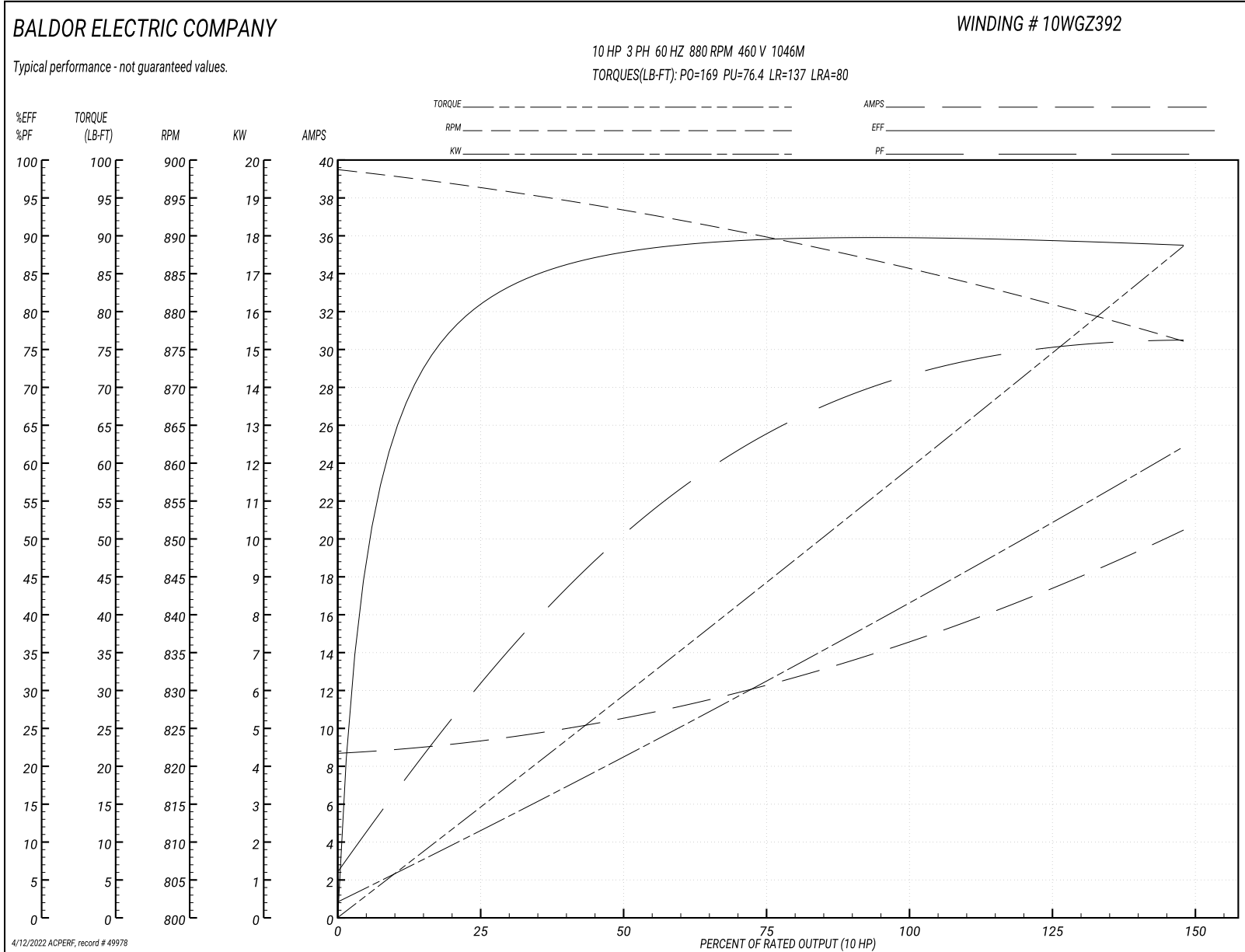
Typical performance - not guaranteed values

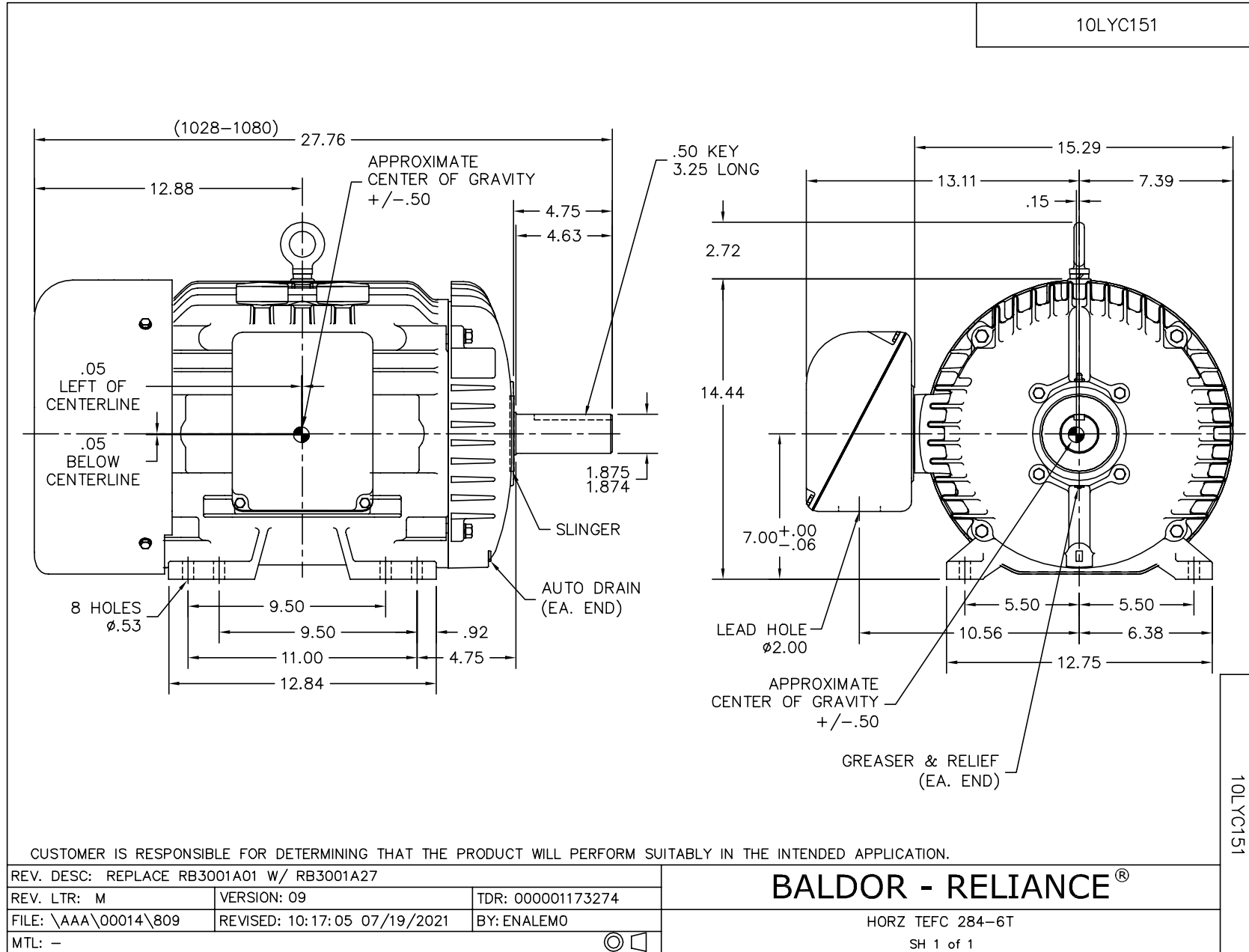
| Winding: 10WGZ392-R001 | | Type: 1046M | Enclosure: TEFC |
|------------------------|-------------------|--|-------------------------|
| Nameplate Data | | 460 V, 60 Hz: High Voltage Connection | |
| Rated Output (HP) | 10 | Full Load Torque | 59.3 LB-FT |
| Volts | 230/460 | Start Configuration | direct on line |
| Full Load Amps | 29.2/14.6 | Breakdown Torque | 169 LB-FT |
| R.P.M. | 880 | Pull-up Torque | 76.4 LB-FT |
| Hz | 60 Phase | Locked-rotor Torque | 137 LB-FT |
| NEMA Design Code | B KVA Code | Starting Current | 80 A |
| Service Factor (S.F.) | 1.15 | No-load Current | 8.76 A |
| NEMA Nom. Eff. | 89.5 Power Factor | Line-line Res. @ 25°C | 0.956 Ω |
| Rating - Duty | 40C AMB-CONT | Temp. Rise @ Rated Load | 65°C |
| S.F. Amps | | Temp. Rise @ S.F. Load | 77°C |
| | | Locked-rotor Power Factor | 30.5 |
| | | Rotor inertia | 5.67 LB-FT ² |

Load Characteristics 460 V, 60 Hz, 10 HP

| % of Rated Load | 25 | 50 | 75 | 100 | 125 | 150 | S.F. |
|-----------------|------|------|------|------|------|------|------|
| Power Factor | 32 | 51 | 64 | 71 | 75 | 77 | 73 |
| Efficiency | 81 | 87.8 | 89.5 | 89.8 | 89.6 | 88.7 | 89.7 |
| Speed | 896 | 893 | 890 | 886 | 881 | 876 | 883 |
| Line amperes | 9.23 | 10.6 | 12.3 | 14.6 | 17.4 | 20.4 | 16.3 |

Performance Graph at 460V, 60Hz, 10.0HP Typical performance - Not guaranteed values





CD0180



LOW VOLTAGE
(2D)



HIGH VOLTAGE
(1D)



NOTES:

1. INTERCHANGE ANY TWO LINE LEADS TO REVERSE ROTATION.
2. OPTIONAL THERMOSTATS ARE PROVIDED WHEN SPECIFIED.
3. ACTUAL NUMBER OF INTERNAL PARALLEL CIRCUITS MAY BE A MULTIPLE OF THOSE SHOWN ABOVE.
4. LEAD COLORS ARE OPTIONAL. LEADS MUST ALWAYS BE NUMBERED AS SHOWN.

CD0180

| | | |
|-----------------------------------|------------------------------|-------------------|
| REV. DESC: ADD CLASS CONN00000007 | | |
| REV. LTR: D | VERSION: 01 | TDR: 000001099922 |
| FILE: \AAA\00005\148 | REVISED: 10:25:29 02/19/2019 | BY: ENBRIRO |
| MTL: - | © □ | |

BALDOR - RELIANCE®

3PH, DV, 9 LEADS, DELTA CONNECTION

SH 1 of 1

Marketing maintained PDF of MN416:

<http://www.baldor.com/support/Literature/Load.ashx/MN416?ManNumber=MN416>