

BALDOR® • RELIANCE 

Product Information Packet

EM2535T-5

30HP, 1775RPM, 3PH, 60HZ, 286T, 4060M, OPSB, F1

Part Detail							
Revision:	L	Status:	PRD/A	Change #:		Proprietary:	No
Type:	AC	Elec. Spec:	40WGX351	CD Diagram:	CD0006	Mfg Plant:	
Mech. Spec:	40G48	Layout:	40LYG048	Poles:	04	Created Date:	05-26-2016
Base:	RG	Eff. Date:	01-12-2021	Leads:	3#10		

Specs			
Catalog Number:	EM2535T-5	IP Rating:	NONE
Enclosure:	OPSB	KVA Code:	H
Frame:	286T	Lifting Lugs:	Standard Lifting Lugs
Frame Material:	Steel	Locked Bearing Indicator:	No Locked Bearing
Output @ Frequency:	30.000 HP @ 60 HZ	Motor Lead Quantity/Wire Size:	3 @ 10 AWG
Synchronous Speed @ Frequency:	1800 RPM @ 60 HZ	Motor Lead Exit:	Ko Box
Voltage @ Frequency:	575.0 V @ 60 HZ	Motor Lead Termination:	Flying Leads
Agency Approvals:	UR	Motor Type:	4060M
	CSA EEV	Mounting Arrangement:	F1
	CSA	Power Factor:	82
Auxillary Box:	No Auxillary Box	Product Family:	General Purpose
Auxillary Box Lead Termination:	None	Pulley End Bearing Type:	Ball
Base Indicator:	Rigid	Pulley Face Code:	Standard
Bearing Grease Type:	Polyrex EM (-20F +300F)	Pulley Shaft Indicator:	Standard
Blower:	None	Rodent Screen:	None
Current @ Voltage:	29.000 A @ 575.0 V	Shaft Extension Location:	Pulley End
Design Code:	A	Shaft Ground Indicator:	No Shaft Grounding
Drip Cover:	No Drip Cover	Shaft Rotation:	Reversible

Duty Rating:	CONT	Shaft Slinger Indicator:	No Slinger
Electrically Isolated Bearing:	Not Electrically Isolated	Speed Code:	Single Speed
Feedback Device:	NO FEEDBACK	Motor Standards:	NEMA
Front Face Code:	Standard	Starting Method:	Direct on line
Front Shaft Indicator:	None	Thermal Device - Bearing:	None
Heater Indicator:	No Heater	Thermal Device - Winding:	None
Insulation Class:	F	Vibration Sensor Indicator:	No Vibration Sensor
Inverter Code:	Inverter Ready	Winding Thermal 1:	None
		Winding Thermal 2:	None

Nameplate NP2138L												
CAT.NO.	EM2535T-5			P/N				ENCLOSURE	OPSB			
SPEC.	40G048X351		CC	010A		FRAME	286T		S/N			
HP	30			CLASS	F		HZ	60				
RPM	1775			PH	3		DES	A				
VOLT	575			KVA-CODE	H			ODE BRG	6309		DE BRG	6311
AMP	29			USABLE AT 208V								
RATING	40C AMB-CONT			GREASE	POLYREX EM							
NEMA-NOM-EFF	94.1	PF	82	SER.F.	1.15							
HTR-VOLTS				HTR-AMPS								

Parts List		
Part Number	Description	Quantity
SA321225	SA 40G048X351	1.000 EA
RA308977	RA 40G048X351	1.000 EA
HA6361A01	LIFTING LUG FOR 37, 39 & 40 FRAME ZINC	2.000 EA
HA6017	CAST ADAPTER, 40,42 KOBX	1.000 EA
19XW3118A12	.31-18 X .75 HEX WASHER HEAD TAPTITE II	2.000 EA
WD1000B25	GND LUG, BURNDY L125HP OR T&B L125HP-BB	1.000 EA
19XW3118G08	.31-18X.50,HEX WSHR HD,TAPTITE 2,GREEN	1.000 EA
HW1001A31	LOCKWASHER 5/16, ZINC PLT.591 OD, .319 I	2.000 EA
10CB3000SP	KOBX, CAST W/2.00 LEAD HOLE	1.000 EA
19XW3118A12	.31-18 X .75 HEX WASHER HEAD TAPTITE II	4.000 EA
40EP3200A02	STD FREP OPEN 309 BRG	1.000 EA
HW5100A11	W3917-042 WVY WSHR (WB)	1.000 EA
40EP3200B05	STD PUEP OPEN 311 BRG	1.000 EA
XY3816A12	3/8-16 FINISHED NUT	8.000 EA
10CB3500SP	CONDUIT BOX LID, CAST	1.000 EA
51XW2520A12	.25-20 X .75, TAPTITE II, HEX WSHR SLTD	4.000 EA
HW2501H28	KEY, 1/2 SQ X 3.250	1.000 EA
LB1115N	LABEL,LIFTING DEVICE (ON ROLLS)	1.000 EA
HW4500A03	GREASE FITTING, .125 NPT 1610(ALEMITE) 8	1.000 EA
HW4500A20	1/8NPT SL PIPE PLUG	1.000 EA
HA4051A00	PLASTIC CAP FOR GREASE FITTING	1.000 EA
MJ1000A02	GREASE, MOBIL POLYREX EM - 124047	0.050 LB
HW4500A03	GREASE FITTING, .125 NPT 1610(ALEMITE) 8	1.000 EA
HW4500A20	1/8NPT SL PIPE PLUG	1.000 EA

Parts List (continued)		
Part Number	Description	Quantity
HA4051A00	PLASTIC CAP FOR GREASE FITTING	1.000 EA
MG1000Y03	MUNSELL 2.53Y 6.70/ 4.60, GLOSS 20,	0.070 GA
85XU0407S04	4X1/4 U DRIVE PIN STAINLESS	4.000 EA
40AD2002A01	LEXAN BAFFLE 40 FR OPEN	1.000 EA
40AD2002A01	LEXAN BAFFLE 40 FR OPEN	1.000 EA
HA3154A06	THRUBOLT STUD 3/8-16 X 19.500	4.000 EA
LB1119N	WARNING LABEL	1.000 EA
LC0006	CONNECTION LABEL	1.000 EA
NP2138L	ALUM SUPER-E UL CSA-EEV PREM CC (300	1.000 EA
40PA1000	PACKAGING GROUP	1.000 EA
MN416A01	TAG-INSTAL-MAINT no wire (2100/bx) 4/22	1.000 EA

Accessories		
Part Number	Description	Multiplier
40-1400	C FACE KIT	A8

AC Induction Motor Performance Data

Record # 57333

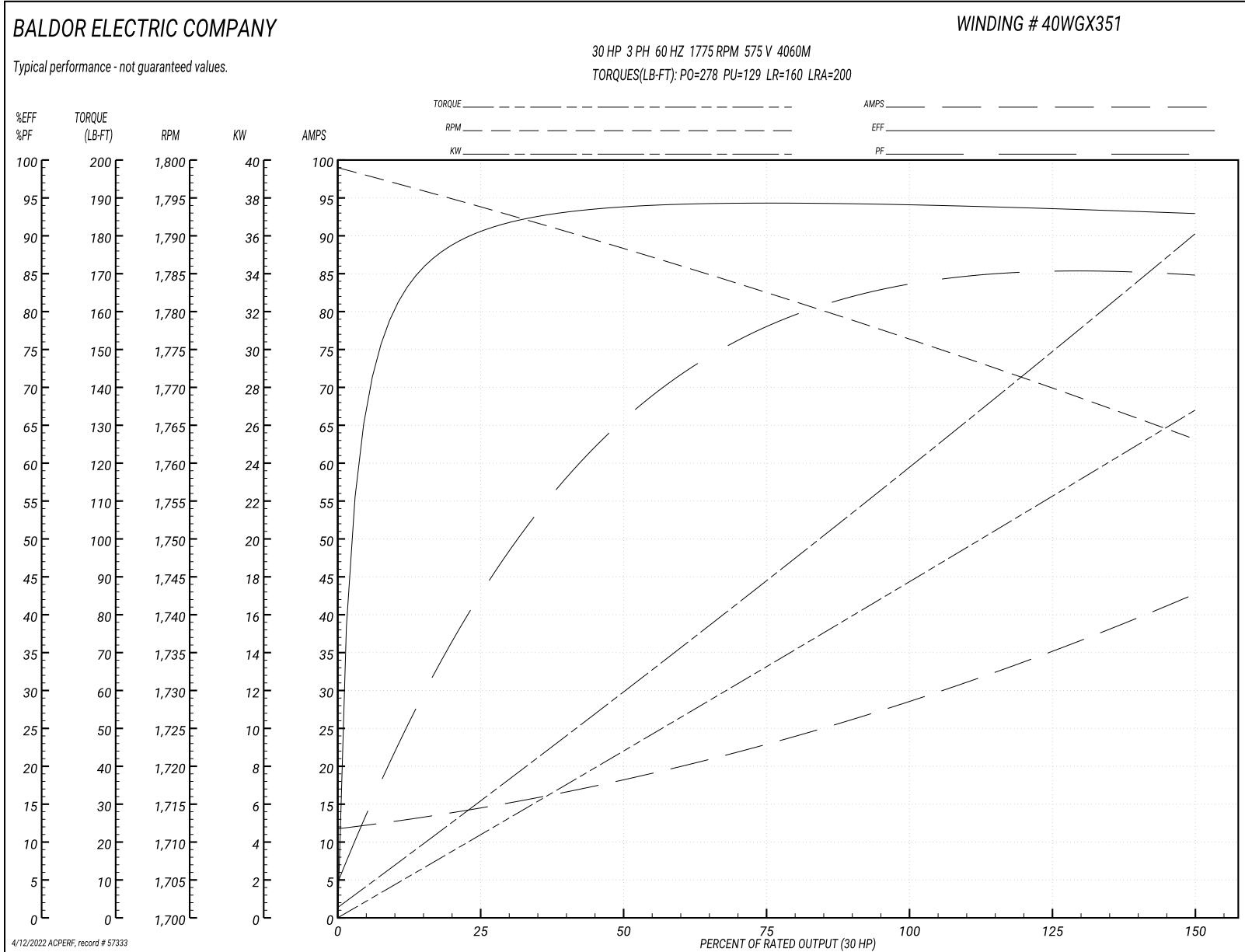
Typical performance - not guaranteed values

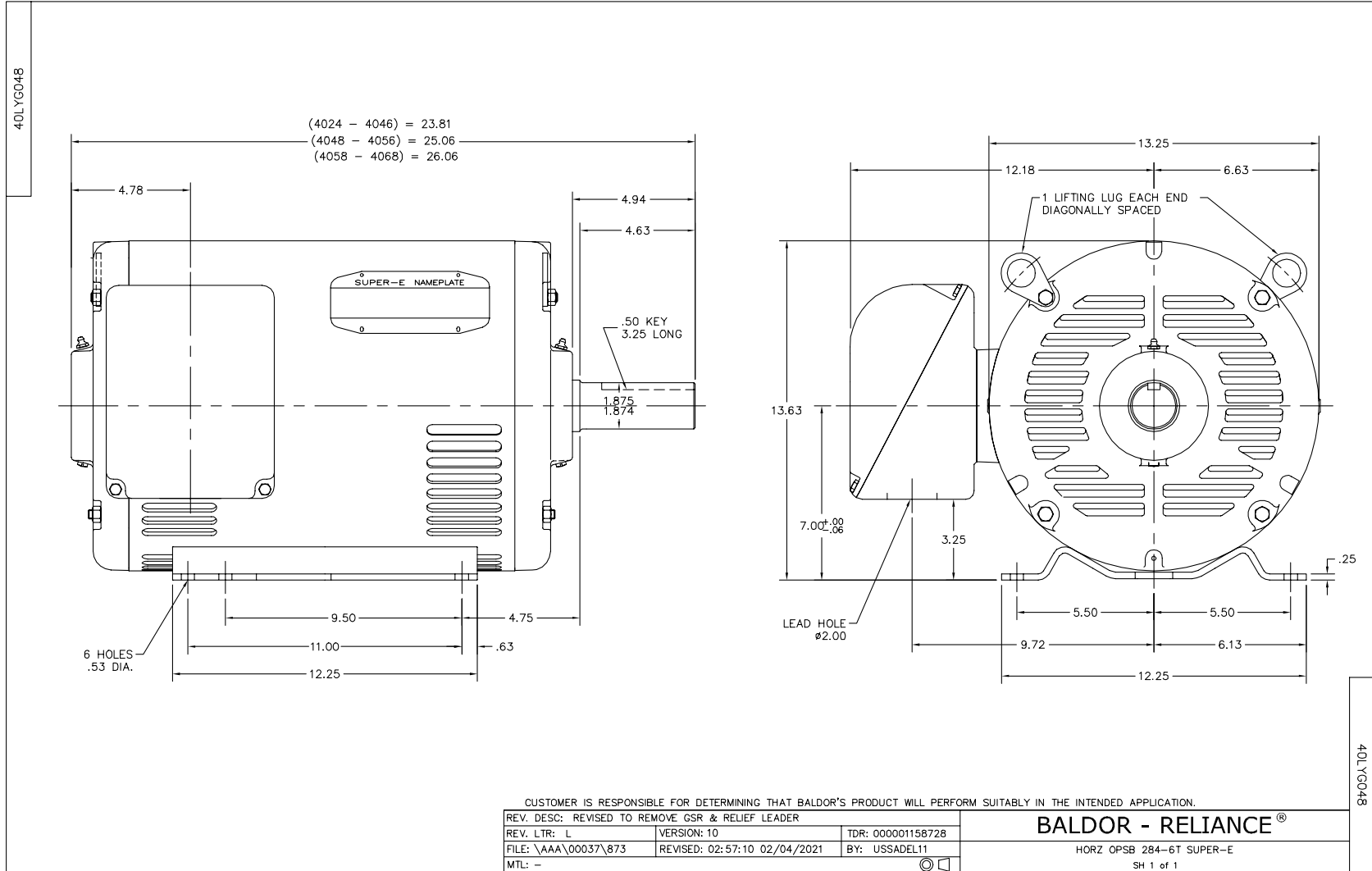
Winding: 40WGX351-R001		Type: 4060M		Enclosure: OPSB		
Nameplate Data			575 V, 60 Hz: Single Voltage Motor			
Rated Output (HP)	30	Full Load Torque	88.7 LB-FT			
Volts	575	Start Configuration	direct on line			
Full Load Amps	29	Breakdown Torque	278 LB-FT			
R.P.M.	1775	Pull-up Torque	129 LB-FT			
Hz	60 Phase	3	Locked-rotor Torque	160 LB-FT		
NEMA Design Code	A KVA Code	H	Starting Current	200 A		
Service Factor (S.F.)	1.15	No-load Current	12.2 A			
NEMA Nom. Eff.	94.1 Power Factor	82	Line-line Res. @ 25°C	0.328 Ω		
Rating - Duty	40C AMB-CONT	Temp. Rise @ Rated Load	29°C			
S.F. Amps		Temp. Rise @ S.F. Load	35°C			
		Locked-rotor Power Factor	31.5			
		Rotor inertia	4.77 LB-FT ²			

Load Characteristics 575 V, 60 Hz, 30 HP

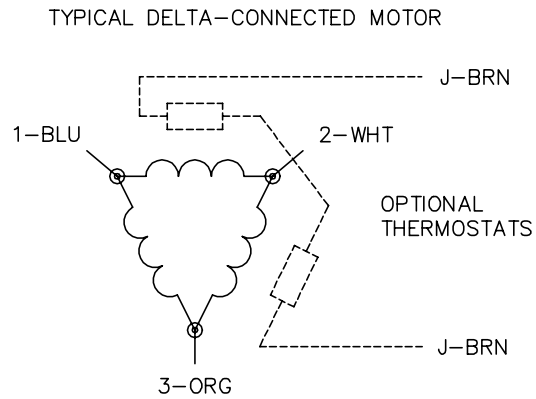
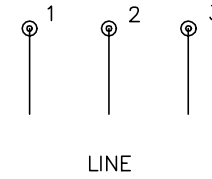
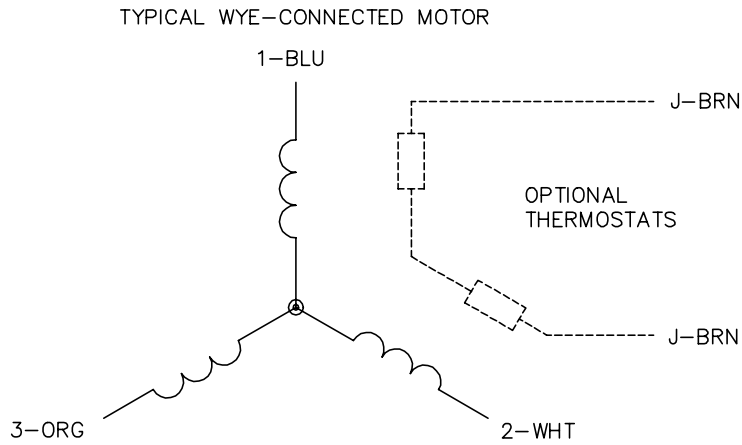
% of Rated Load	25	50	75	100	125	150	S.F.
Power Factor	45	67	78	83	85	85	84
Efficiency	90.4	93.8	94.4	94.3	93.5	93	93.8
Speed	1794	1788	1782	1777	1770	1763	1773
Line amperes	14	17.9	23.1	28.9	35.4	42.4	32.8

Performance Graph at 575V, 60Hz, 30.0HP Typical performance - Not guaranteed values





CD0006



NOTES:

1. THREE LEAD MOTOR MAY BE EITHER WYE CONNECTED OR DELTA CONNECTED.
2. INTERCHANGE ANY TWO LINE LEADS TO REVERSE ROTATION.
3. OPTIONAL THERMOSTATS ARE PROVIDED WHEN SPECIFIED.
4. ACTUAL NUMBER OF INTERNAL PARALLEL CIRCUITS MAY VARY.
5. LEAD COLORS ARE OPTIONAL. LEADS MUST BE NUMBERED AS SHOWN.

CD0006

REV. DESC: ADD CLASS CONN00000007		
REV. LTR: E	VERSION: 01	TDR: 000001099922
FILE: \AAA\00005\141	REVISED: 10:24:49 02/19/2019	BY: ENBRIRO
MTL: -	© □	

BALDOR - RELIANCE®

3PH, SV, 3 LEADS, WYE OR DELTA CONNECTED

SH 1 of 1

Marketing maintained PDF of MN416:

<http://www.baldor.com/support/Literature/Load.ashx/MN416?ManNumber=MN416>