

BALDOR® • RELIANCE™

Customer information packet

EM25454T-4

450HP, 1780RPM, 3PH, 60HZ, 449T, DP, F1

Class - None

Division - Not Applicable

Copyright © All product information within this document is subject to ABB Motors and Mechanical Inc. copyright © protection, unless otherwise noted.

7/14/2022 6:18:44 PM

Specifications

Enclosure	DP
Frame	449T
Frame Material	Iron
Frequency	60.00 Hz
Motor Letter Type	Three Phase
Output @ Frequency	450.000 HP @ 60 HZ
Phase	3
Synchronous Speed @ Frequency	1800 RPM @ 60 HZ
Voltage @ Frequency	460.0 V @ 60 HZ
XP Class and Group	None
XP Division	Not Applicable
Agency Approvals	CSA EEV CCSA US
Ambient Temperature	40 °C
Base Indicator	Rigid
Bearing Grease Type	Polyrex EM (-20F +300F)
Current @ Voltage	507.000 A @ 460.0 V
Design Code	B
Drip Cover	No Drip Cover
Duty Rating	CONT
Efficiency @ 100% Load	96.2 %
Feedback Device	NO FEEDBACK
Heater Indicator	No Heater
High Voltage Full Load Amps	507.0 a
Insulation Class	F
Inverter Code	Inverter Ready
IP Rating	NONE
KVA Code	F
Lifting Lugs	Standard Lifting Lugs
Motor Lead Quantity/Wire Size	12 @ 1 AWG
Motor Standards	NEMA
Motor Type	A44144M

Part detail

Revision	A
Type	AC
Mech. spec.	
Base	
Status	PRD/A
Elec. spec.	A44WG3143
Layout	604989-505
Eff. date	03-01-2017
CD Diagram	416820-008
Poles	04
Leads	6#1 (02 per group)
Proprietary	False
Created date	11-25-2015

Mounting Arrangement	F1
Number of Poles	4
Overall Length	48.12 IN
Power Factor	86
Product Family	General Industrial
Pulley End Bearing Type	Ball
Pulley Face Code	Standard
Service Factor	1.15
Shaft Diameter	3.375 IN
Shaft Ground Indicator	No Shaft Grounding
Shaft Rotation	Reversible
Shaft Slinger Indicator	No Slinger
Speed	1780 rpm
Speed Code	Single Speed
Starting Method	Wye Start - Delta Run
Thermal Device - Bearing	None
Thermal Device - Winding	None

Nameplate

NP2496L	
MOBIL POLYREX EM	

NP2349L

SPEC NO.	A44-8067-3143	CAT.NO.	EM25454T-4	FRAME	449T
HP	450	VOLTS	460	PHASE	3
RPM	1780	AMPS	507	HZ	60
DRIVE END BEARING	90BC03J30X	DUTY	CONT	INSUL.CLASS	F
OPP D.E. BEARING	90BC03J30X	ENCL	DP	CODE	F
SER.NO.		POWER FACTOR	86	NEMA-NOM-EFFICIENCY	96.2
				MAX CORR KVAR	89
				GUARANTEED EFFICIENCY	95.4
				NEMA NOM/CSA QUOTED EFF	
				MOTOR WEIGHT	2888

Parts list

Part number	Description	Quantity
SA310930	SA A44-8067-3143	1.000 ea
RA298337	RA A44-8067-3143	1.000 ea
421948044	LABEL, MYLAR	1.000 ea
NP2496L	MOTOR LUBE NAMEPLATE	1.000 ea
000613006PU	N/P (RELEASE QTY 10,000) UL CSA LABEL	1.000 ea
000692000FF	N/P	1.000 ea
000692000VD	LABEL WARNING	1.000 ea
NP2349L	SUPER-E ,SS, CSA, CSA SUPER-E	1.000 ea
702611001A	BAFFL 440 SUB PAINT	1.000 ea
089439051A	BRKT 440 089439051WCB	1.000 ea
004824015A	GREASE POLYREX EM	1.160 lb
032018028EK	HHCS 5/8-11X3-1/2L PLTD	4.000 ea
032018036DK	HHCS 1/2-13X4-1/2 PLTD.	3.000 ea
410700004A	WSHR	1.000 ea
035000001G	GREASE RELIEF FITTING, ALEMITE 317400	1.000 ea
035000001G	GREASE RELIEF FITTING, ALEMITE 317400	1.000 ea
034017012AB	LCKW 1/4 STD. PLATED 034017012AF	4.000 ea
032018005AK	HHCS 1/4-20X5/8 PLATED	4.000 ea
034000012AB	WSHR 1/4 STD. PLATED	4.000 ea
034600001AA	BUSH 1/4TO1/8 BLACK	1.000 ea
418151014G	RETAIN RING	1.000 ea
034017012AB	LCKW 1/4 STD. PLATED 034017012AF	4.000 ea
034600001AA	BUSH 1/4TO1/8 BLACK	1.000 ea
034000012AB	WSHR 1/4 STD. PLATED	4.000 ea
032018005AK	HHCS 1/4-20X5/8 PLATED	4.000 ea
089439051A	BRKT 440 089439051WCB	1.000 ea
702611001A	BAFFL 440 SUB PAINT	1.000 ea
032018028EK	HHCS 5/8-11X3-1/2L PLTD	4.000 ea
032018036DK	HHCS 1/2-13X4-1/2 PLTD.	3.000 ea
406056008A	GASKET, TERBD 440	1.000 ea
418150003A	GREASE FITTING CAP	1.000 ea

MG1025Y17	WILKOFAST, 789.701, SUPER E PEARL GOLD	0.500 ga
032018008DK	HHCS 1/2-13X1 PLATED	4.000 ea
048897010DJ	BUSH - 445	1.000 ea
702616012T	CONDUIT BOX	1.000 ea
035000001A	ALFTG 1/8" 1610-BL	1.000 ea
035000001A	ALFTG 1/8" 1610-BL	1.000 ea
418150003A	GREASE FITTING CAP	1.000 ea
033775004EA	DRSCR #6-1/4 304 S.S.	2.000 ea
034180054KA	7/8 SQ X 6.75 KEY	1.000 ea
604797056	400-447 FRAME 60 X 42	1.000 ea
032510026D	CARRIAGE BOLT - 440	2.000 ea
034001014AB	FLAT WASHER 3/8" PLATED	2.000 ea
034001016AB	WSHR .562ID 1.375OD .109	2.000 ea
033300014AC	HEX NUT, SHIPPING - 400	2.000 ea
604799003C	PLASTIC BAG 42X32X46	1.000 ea

604989-505

DUTY MASTER ALTERNATING CURRENT MOTORS
SQUIRREL-CAGE INDUCTION

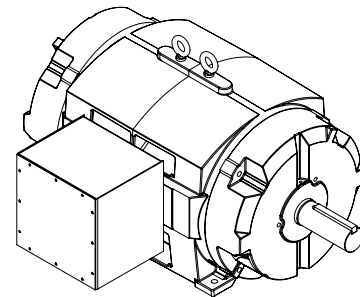
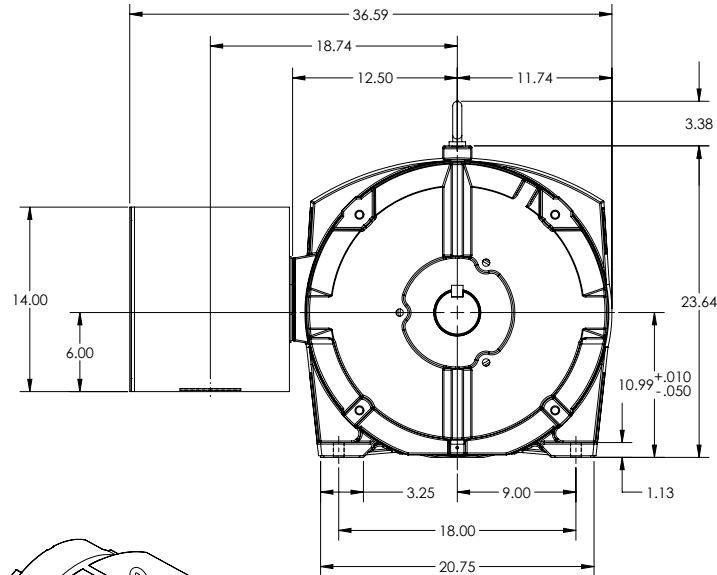
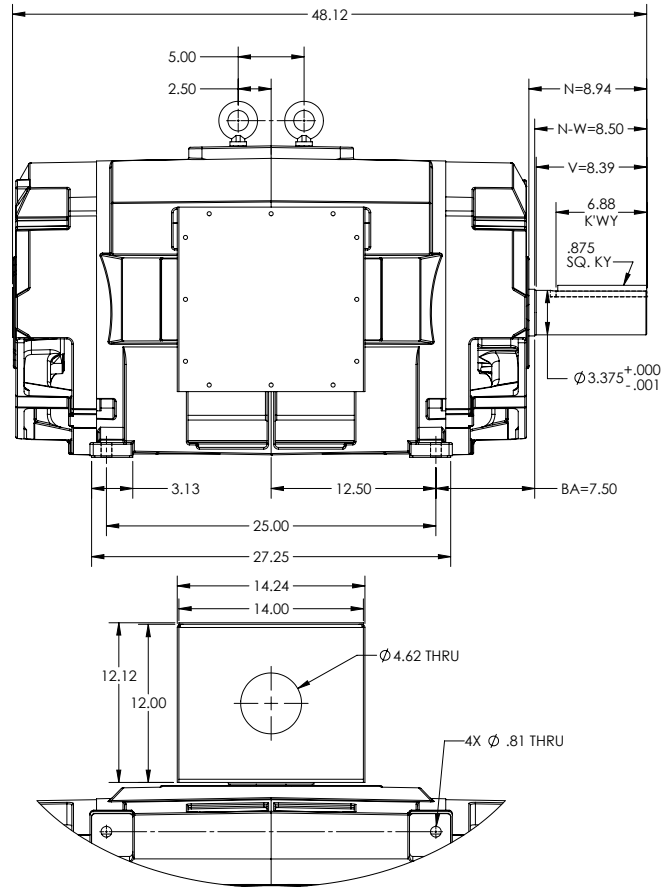
ENCLOSURE: PROTECTED; OPEN DRIP PROOF

FRAME E449T

COOLING: SELF-VENTILATED

MOUNTING: FOOT, F-1 SIDE

14X14X12 FABRICATED STEEL C/BOX



MOTOR WEIGHT: 2100 LBS
*MAY VARY BY 15% DEPENDING ON RATING

DIMENSIONS ARE IN INCHES

CUSTOMER IS RESPONSIBLE FOR DETERMINING THAT MOTOR PERFORMANCE IS SUITABLE IN THE APPLICATION.

REV. A	VERSION: 01	REVISED: 11-08-13 11/19/2015	TDR: 00000953052
MODEL NO. 604989-505			
BY: USBRCHA2			

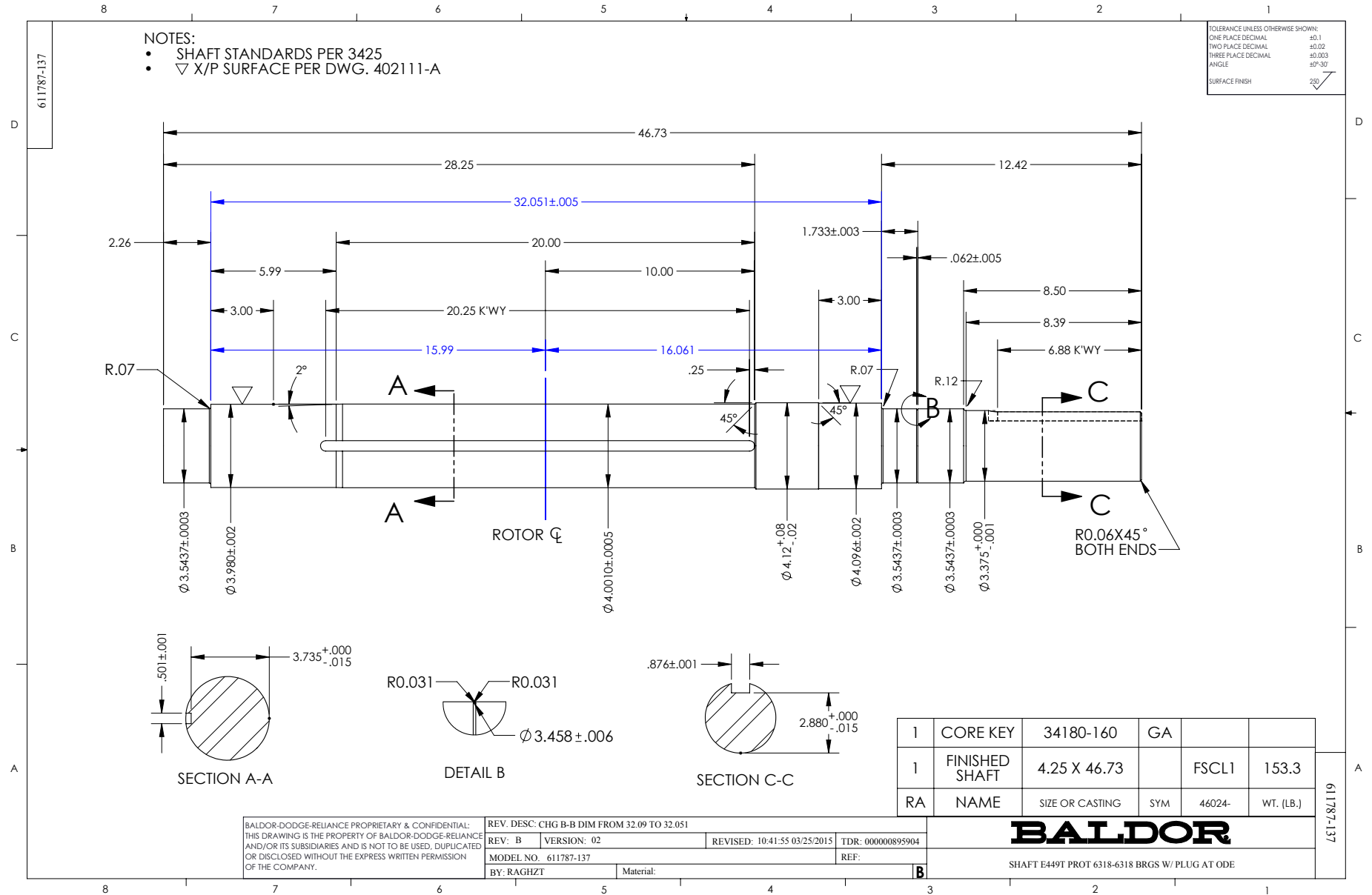
BALDOR

449T PROT F-1 FT - 14X14X12 FAB STL C/BOX

SHEET NUMBER
1 OF 1

505-686109

505-686109

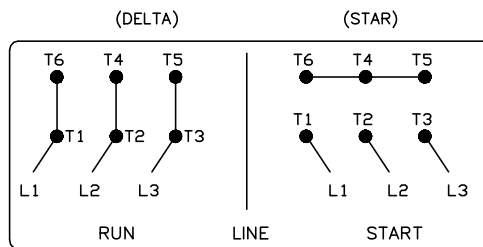
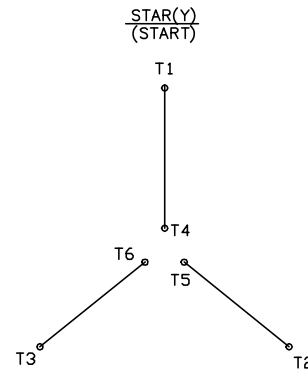
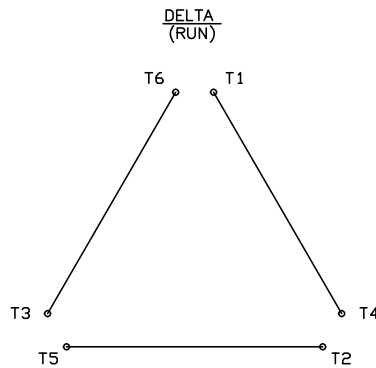


416820-008

A-C MOTOR CONNECTION DIAGRAM

STANDARD 6 LEAD

Y START – DELTA RUN



< N. P. 1767-DC >

REV. DESC: ADDED T4 TO Y CONNECT DIAGRAM		
REV. LTR: D	VERSION: 04	TDR: 00000847713
FILE: \RAG\00001\808	REVISED: 10: 41: 26 04/08/2014	BY: RAGJSS1
MTL: -	© □	

BALDOR

CONNECT DIAGRAM STD 6 LEAD Y START DELTA RUN

SH 1 of 1

416820-008