

**BALDOR® • RELIANCE** 

**Product Information Packet**

**EM2547T-5**

**60HP, 1775RPM, 3PH, 60HZ, 364T, 4278M, OPSB, F1**

Part Detail							
Revision:	T	Status:	PRD/A	Change #:		Proprietary:	No
Type:	AC	Elec. Spec:	42WGW589	CD Diagram:	CD0006	Mfg Plant:	
Mech. Spec:	42E211	Layout:	42LYE211	Poles:	04	Created Date:	07-27-2009
Base:	RG	Eff. Date:	01-11-2022	Leads:	3#8		

Specs			
Catalog Number:	EM2547T-5	IP Rating:	NONE
Enclosure:	OPSB	KVA Code:	G
Frame:	364T	Lifting Lugs:	Standard Lifting Lugs
Frame Material:	Steel	Locked Bearing Indicator:	Locked Bearing
Output @ Frequency:	60.000 HP @ 60 HZ	Motor Lead Quantity/Wire Size:	3 @ 8 AWG
Synchronous Speed @ Frequency:	1800 RPM @ 60 HZ	Motor Lead Exit:	Ko Box
Voltage @ Frequency:	575.0 V @ 60 HZ	Motor Lead Termination:	Flying Leads
Agency Approvals:	UR	Motor Type:	4278M
	CSA EEV	Mounting Arrangement:	F1
	CSA	Power Factor:	87
Auxillary Box:	No Auxillary Box	Product Family:	General Purpose
Auxillary Box Lead Termination:	None	Pulley End Bearing Type:	Ball
Base Indicator:	Rigid	Pulley Face Code:	Standard
Bearing Grease Type:	Polyrex EM (-20F +300F)	Pulley Shaft Indicator:	Standard
Blower:	None	Rodent Screen:	None
Current @ Voltage:	56.000 A @ 575.0 V	Shaft Extension Location:	Pulley End
Design Code:	A	Shaft Ground Indicator:	No Shaft Grounding
Drip Cover:	No Drip Cover	Shaft Rotation:	Reversible

<b>Duty Rating:</b>	CONT	<b>Shaft Slinger Indicator:</b>	No Slinger
<b>Electrically Isolated Bearing:</b>	Not Electrically Isolated	<b>Speed Code:</b>	Single Speed
<b>Feedback Device:</b>	NO FEEDBACK	<b>Motor Standards:</b>	NEMA
<b>Front Face Code:</b>	Standard	<b>Starting Method:</b>	Direct on line
<b>Front Shaft Indicator:</b>	None	<b>Thermal Device - Bearing:</b>	None
<b>Heater Indicator:</b>	No Heater	<b>Thermal Device - Winding:</b>	None
<b>Insulation Class:</b>	F	<b>Vibration Sensor Indicator:</b>	No Vibration Sensor
<b>Inverter Code:</b>	Inverter Ready	<b>Winding Thermal 1:</b>	None
		<b>Winding Thermal 2:</b>	None

Nameplate NP2138L										
CAT.NO.	EM2547T-5			P/N				ENCLOSURE	OPSB	
SPEC.	42E211W589		CC	010A	FRAME	364T		S/N		
HP	60			CLASS	F	HZ	60			
RPM	1775		PH	3	DES	A				
VOLT	575				KVA-CODE	G		ODE BRG	6311	
AMP	56			USABLE AT 208V				DE BRG	6313	
RATING	40C AMB-CONT			GREASE	POLYREX EM					
NEMA-NOM-EFF	95	PF	87	SER.F.	1.15					
HTR-VOLTS			HTR-AMPS							

Parts List		
Part Number	Description	Quantity
SA184449	SA 42E211W589	1.000 EA
RA172284	RA 42E211W589	1.000 EA
HA6360	LIFTING LUG FOR 42 FRAME MOTORS.	2.000 EA
HA6017	CAST ADAPTER, 40,42 KOBX	1.000 EA
19XW3118A12	.31-18 X .75 HEX WASHER HEAD TAPTITE II	2.000 EA
HW1001A31	LOCKWASHER 5/16, ZINC PLT.591 OD, .319 I	2.000 EA
WD1000B25	GND LUG, BURNDY L125HP OR T&B L125HP-BB	1.000 EA
19XW3118G08	.31-18X.50,HEX WSHR HD,TAPTITE 2,GREEN	1.000 EA
10CB3002	CONDUIT BOX CAST W/3.625 LEAD HOLE	1.000 EA
19XW3118A12	.31-18 X .75 HEX WASHER HEAD TAPTITE II	4.000 EA
HW1001A31	LOCKWASHER 5/16, ZINC PLT.591 OD, .319 I	4.000 EA
42EP3200A01	FR ENDPLATE, MACH	1.000 EA
HW5100A13	W4627-047 WVY WSHER	1.000 EA
42EP1202A01	STD PU ENDPLATE MODEL 42 313 BRG.	1.000 EA
10XN3816K44	3/8-16 X 2.75 HEX HD CAP SCREW, GRADE 5	4.000 EA
HW1001A38	LOCKWASHER 3/8, ZINC PLT .688 OD, .382 I	4.000 EA
XY5013A12	NUT,1/2-13,HEX,STEEL,ZINCPLATED	8.000 EA
10CB3500SP	CONDUIT BOX LID, CAST	1.000 EA
51XW2520A12	.25-20 X .75, TAPTITE II, HEX WSHR SLTD	4.000 EA
HW2501J36	KEY, 5/8 SQ X 4.250	1.000 EA
LB1115N	LABEL,LIFTING DEVICE (ON ROLLS)	1.000 EA
MN416A01	TAG-INSTAL-MAINT no wire (2100/bx) 4/22	1.000 EA
HA4051A00	PLASTIC CAP FOR GREASE FITTING	1.000 EA
HW4500A03	GREASE FITTING, .125 NPT 1610(ALEMITE) 8	1.000 EA

<b>Parts List (continued)</b>		
<b>Part Number</b>	<b>Description</b>	<b>Quantity</b>
HW4500A20	1/8NPT SL PIPE PLUG	1.000 EA
MJ1000A02	GREASE, MOBIL POLYREX EM - 124047	0.030 LB
HA4051A00	PLASTIC CAP FOR GREASE FITTING	1.000 EA
HW4500A03	GREASE FITTING, .125 NPT 1610(ALEMITE) 8	1.000 EA
HW4500A20	1/8NPT SL PIPE PLUG	1.000 EA
MG1000Y03	MUNSELL 2.53Y 6.70/ 4.60, GLOSS 20,	0.080 GA
85XU0407S04	4X1/4 U DRIVE PIN STAINLESS	4.000 EA
42AD2001A01	BAFFLE PLATE 42 OPEN, SLOTTED BAND MTRS	1.000 EA
42AD2001A01	BAFFLE PLATE 42 OPEN, SLOTTED BAND MTRS	1.000 EA
HA3151A12	THRUBOLT STUD 1/2-13 X 23.00	4.000 EA
LB1119N	WARNING LABEL	1.000 EA
LC0006	CONNECTION LABEL	1.000 EA
NP2138L	ALUM SUPER-E UL CSA-EEV PREM CC (300	1.000 EA
42PA1000	PACKAGING GROUP PRINT PK1024A07	1.000 EA
PE-0000013	ZRTG PE ASSEMBLY	1.000 EA

<b>Accessories</b>		
<b>Part Number</b>	<b>Description</b>	<b>Multiplier</b>
42-1400	C FACE KIT	A8

**AC Induction Motor Performance Data**

Record # 13774

Typical performance - not guaranteed values

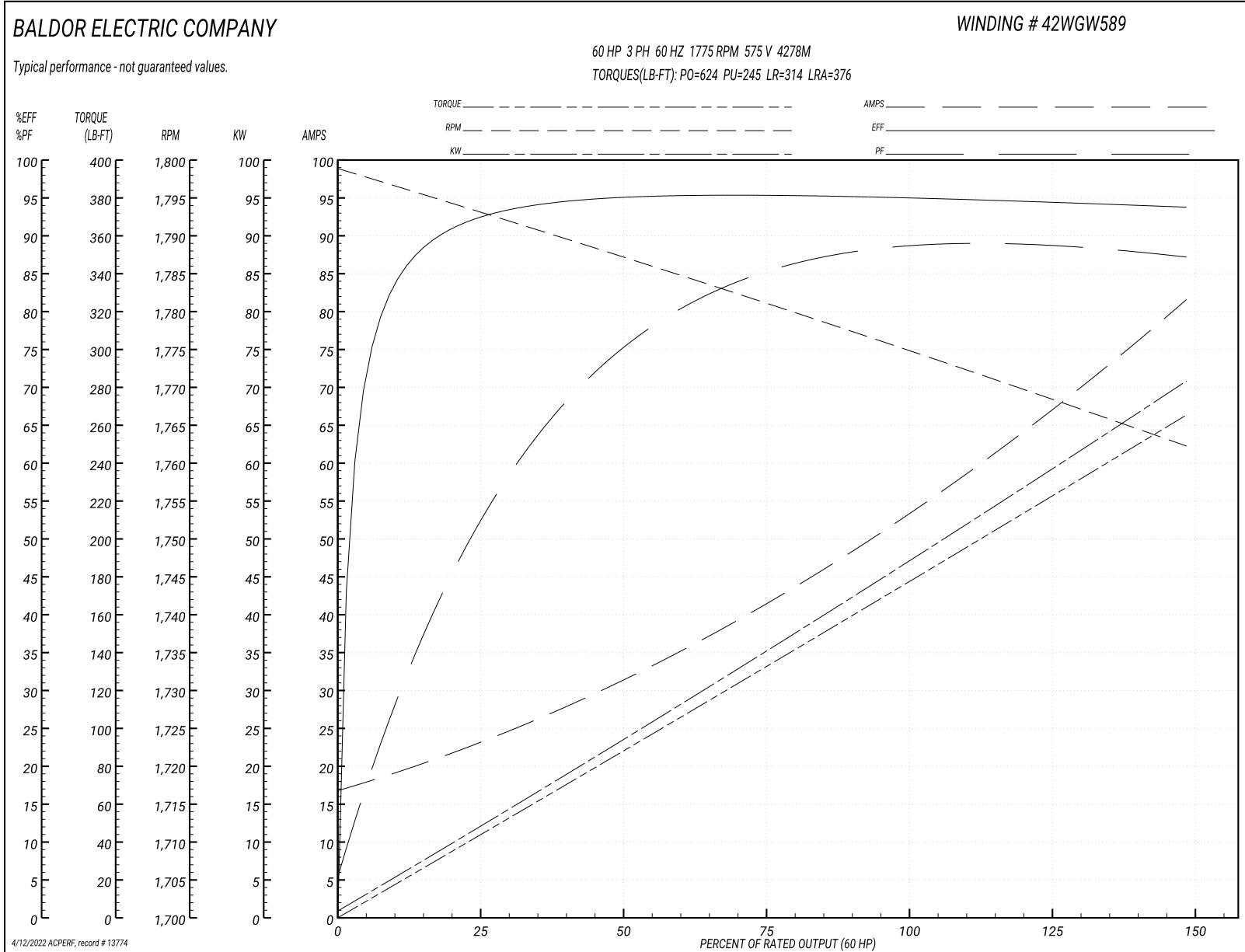
<b>Winding: 42GW589-R001</b>		<b>Type: 4278M</b>		<b>Enclosure: OPSB</b>	
<b>Nameplate Data</b>			<b>575 V, 60 Hz: Single Voltage Motor</b>		
<b>Rated Output (HP)</b>	60	<b>Full Load Torque</b>	177 LB-FT		
<b>Volts</b>	575	<b>Start Configuration</b>	direct on line		
<b>Full Load Amps</b>	56	<b>Breakdown Torque</b>	624 LB-FT		
<b>R.P.M.</b>	1775	<b>Pull-up Torque</b>	245 LB-FT		
<b>Hz</b>	60 <b>Phase</b>	3	<b>Locked-rotor Torque</b>	314 LB-FT	
<b>NEMA Design Code</b>	A <b>KVA Code</b>	G	<b>Starting Current</b>	376 A	
<b>Service Factor (S.F.)</b>	1.15		<b>No-load Current</b>	17.8 A	
<b>NEMA Nom. Eff.</b>	95 <b>Power Factor</b>	87	<b>Line-line Res. @ 25°C</b>	0.131 Ω	
<b>Rating - Duty</b>	40C AMB-CONT		<b>Temp. Rise @ Rated Load</b>	30°C	
<b>S.F. Amps</b>			<b>Temp. Rise @ S.F. Load</b>	40°C	
			<b>Locked-rotor Power Factor</b>	26.2	
			<b>Rotor inertia</b>	10.4 LB-FT <sup>2</sup>	

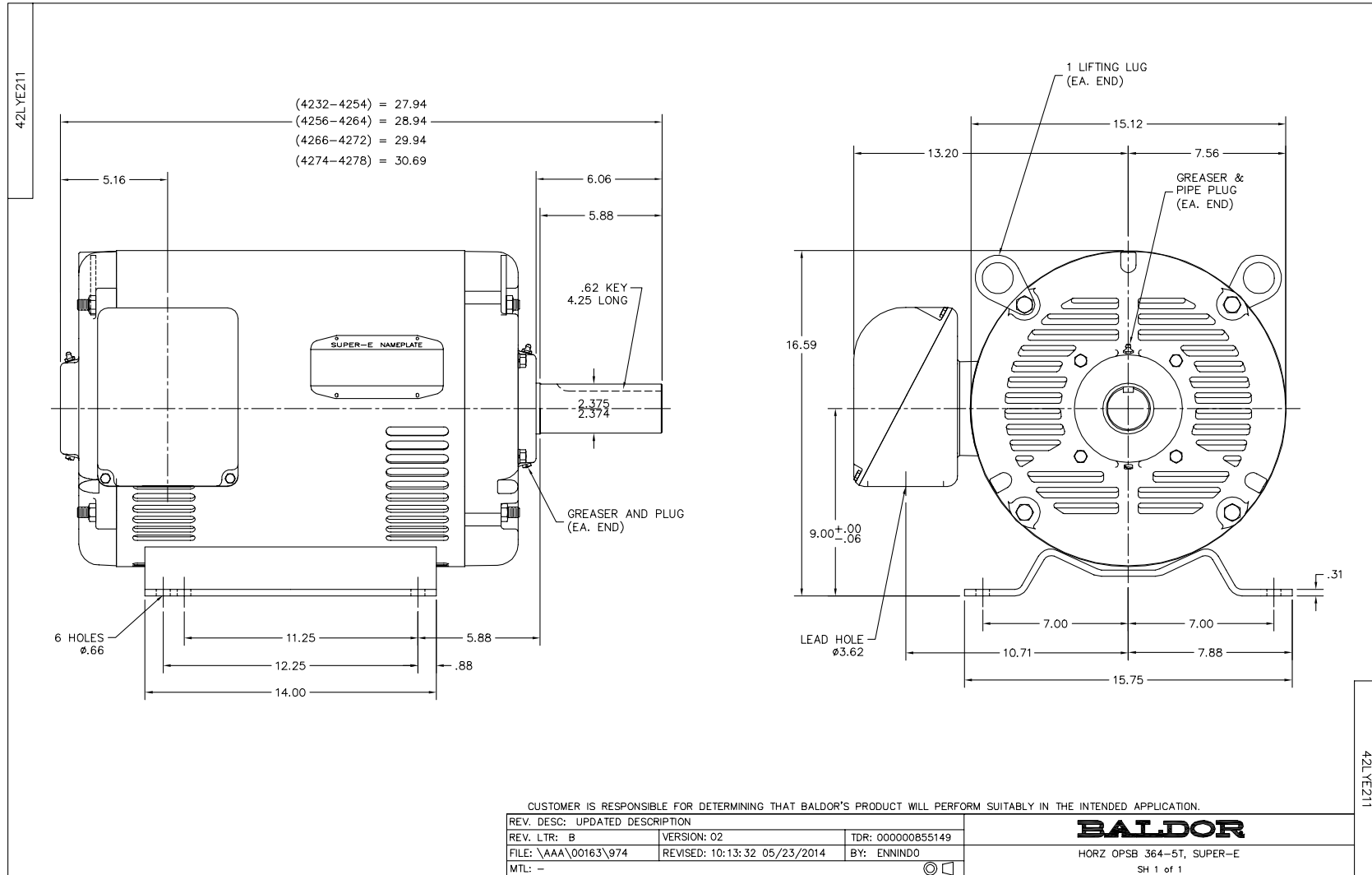
**Load Characteristics 575 V, 60 Hz, 60 HP**

<b>% of Rated Load</b>	<b>25</b>	<b>50</b>	<b>75</b>	<b>100</b>	<b>125</b>	<b>150</b>	<b>S.F.</b>
<b>Power Factor</b>	56	77	85	87	89	89	88
<b>Efficiency</b>	92.6	94.9	95.3	95	94.6	93.7	94.8
<b>Speed</b>	1793	1787	1781	1775	1769	1762	1771
<b>Line amperes</b>	21.8	31	41.7	54.1	66.9	81	61.8

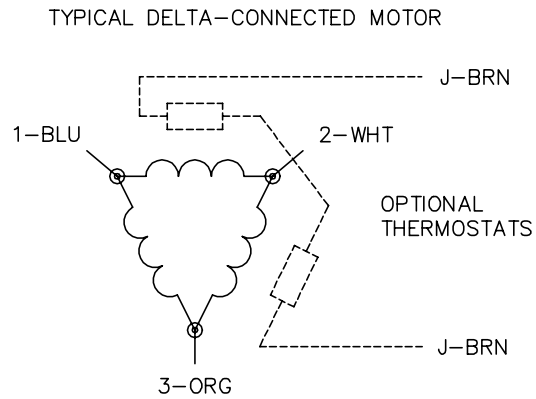
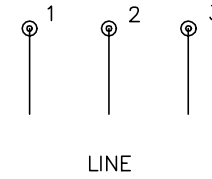
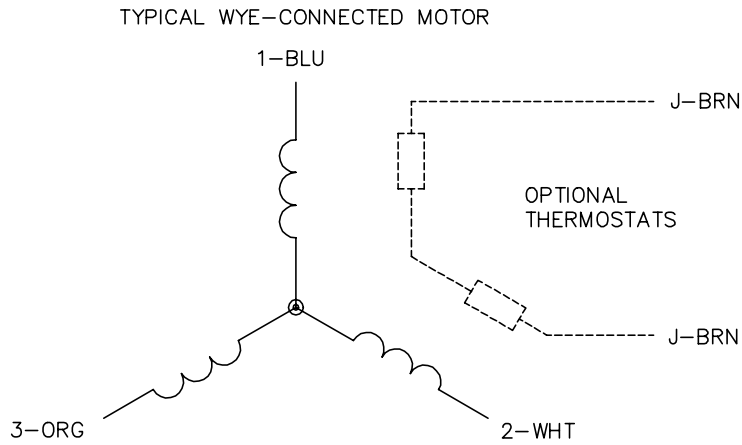


Performance Graph at 575V, 60Hz, 60.0HP Typical performance - Not guaranteed values





CD0006



NOTES:

1. THREE LEAD MOTOR MAY BE EITHER WYE CONNECTED OR DELTA CONNECTED.
2. INTERCHANGE ANY TWO LINE LEADS TO REVERSE ROTATION.
3. OPTIONAL THERMOSTATS ARE PROVIDED WHEN SPECIFIED.
4. ACTUAL NUMBER OF INTERNAL PARALLEL CIRCUITS MAY VARY.
5. LEAD COLORS ARE OPTIONAL. LEADS MUST BE NUMBERED AS SHOWN.

CD0006

REV. DESC: ADD CLASS CONN00000007		
REV. LTR: E	VERSION: 01	TDR: 000001099922
FILE: \AAA\00005\141	REVISED: 10:24:49 02/19/2019	BY: ENBRIRO
MTL: -	© □	

**BALDOR - RELIANCE®**

3PH, SV, 3 LEADS, WYE OR DELTA CONNECTED

SH 1 of 1

Marketing maintained PDF of MN416:

<http://www.baldor.com/support/Literature/Load.ashx/MN416?ManNumber=MN416>