

BALDOR® • RELIANCE 

Product Information Packet

EM2547T-G

60HP, 1775RPM, 3PH, 60HZ, 364T, 4278M, OPSB, F1

Part Detail							
Revision:	S	Status:	PRD/A	Change #:		Proprietary:	No
Type:	AC	Elec. Spec:	42WGWS587	CD Diagram:	CD0180	Mfg Plant:	
Mech. Spec:	42E260	Layout:	42LYE260	Poles:	04	Created Date:	11-30-2011
Base:	RG	Eff. Date:	02-21-2022	Leads:	9#6		

Specs			
Catalog Number:	EM2547T-G	Inverter Code:	Inverter Ready
Enclosure:	OPSB	IP Rating:	NONE
Frame:	364T	KVA Code:	G
Frame Material:	Steel	Lifting Lugs:	Standard Lifting Lugs
Output @ Frequency:	60.000 HP @ 60 HZ	Locked Bearing Indicator:	Locked Bearing
Synchronous Speed @ Frequency:	1800 RPM @ 60 HZ	Motor Lead Quantity/Wire Size:	9 @ 6 AWG
Voltage @ Frequency:	460.0 V @ 60 HZ	Motor Lead Exit:	Ko Box
	230.0 V @ 60 HZ	Motor Lead Termination:	Flying Leads
Agency Approvals:	CSA	Motor Type:	4278M
	CSA EEV	Mounting Arrangement:	F1
	UR	Power Factor:	87
Auxillary Box:	No Auxillary Box	Product Family:	General Purpose
Auxillary Box Lead Termination:	None	Pulley End Bearing Type:	Ball
Base Indicator:	Rigid	Pulley Face Code:	Standard
Bearing Grease Type:	Polyrex EM (-20F +300F)	Pulley Shaft Indicator:	Standard
Blower:	None	Rodent Screen:	None
Current @ Voltage:	68.000 A @ 460.0 V	Shaft Extension Location:	Pulley End
	144.000 A @ 208.0 V	Shaft Ground Indicator:	Shaft Grounding

	136.000 A @ 230.0 V	Shaft Rotation:	Reversible
Design Code:	A	Shaft Slinger Indicator:	No Slinger
Drip Cover:	No Drip Cover	Speed Code:	Single Speed
Duty Rating:	CONT	Motor Standards:	NEMA
Electrically Isolated Bearing:	Not Electrically Isolated	Starting Method:	Direct on line
Feedback Device:	NO FEEDBACK	Thermal Device - Bearing:	None
Front Face Code:	Standard	Thermal Device - Winding:	None
Front Shaft Indicator:	None	Vibration Sensor Indicator:	No Vibration Sensor
Heater Indicator:	No Heater	Winding Thermal 1:	None
Insulation Class:	H	Winding Thermal 2:	None

Nameplate NP2138LUA											
CAT.NO.	EM2547T-G			P/N				ENCLOSURE	OPSB		
SPEC.	42E260W587G1		CC	010A		FRAME	364T		S/N		
HP	60			CLASS	H		HZ	60			
RPM	1775			PH	3		DES	A			
VOLT	230/460			KVA-CODE	G		ODE BRG	6311		DE BRG	6313
AMP	136/68			USABLE AT 208V	144						
RATING	40C AMB-CONT			GREASE	POLYREX EM						
NEMA-NOM-EFF	95	PF	87	SER.F.	1.15						
HTR-VOLTS	50HZ 60HP 190/380V 162/81A					SF1.0					
	HTR-AMPS										

Parts List		
Part Number	Description	Quantity
SA235119	SA 42E260W587G1	1.000 EA
RA222082	RA 42E260W587G1	1.000 EA
HA6360	LIFTING LUG FOR 42 FRAME MOTORS.	2.000 EA
HA6017	CAST ADAPTER, 40,42 KOBX	1.000 EA
19XW3118A12	.31-18 X .75 HEX WASHER HEAD TAPTITE II	2.000 EA
HW1001A31	LOCKWASHER 5/16, ZINC PLT.591 OD, .319 I	2.000 EA
WD1000B25	GND LUG, BURNDY L125HP OR T&B L125HP-BB	1.000 EA
19XW3118G08	.31-18X.50,HEX WSHR HD,TAPTITE 2,GREEN	1.000 EA
10CB3002	CONDUIT BOX CAST W/3.625 LEAD HOLE	1.000 EA
19XW3118A12	.31-18 X .75 HEX WASHER HEAD TAPTITE II	4.000 EA
HW1001A31	LOCKWASHER 5/16, ZINC PLT.591 OD, .319 I	4.000 EA
42EP3200A01	FR ENDPLATE, MACH	1.000 EA
HW5100A13	W4627-047 WVY WSHER	1.000 EA
42EP1202A01	STD PU ENDPLATE MODEL 42 313 BRG.	1.000 EA
10XN3816K44	3/8-16 X 2.75 HEX HD CAP SCREW, GRADE 5	4.000 EA
HW1001A38	LOCKWASHER 3/8, ZINC PLT .688 OD, .382 I	4.000 EA
XY5013A12	NUT,1/2-13,HEX,STEEL,ZINCPLATED	8.000 EA
10CB3500SP	CONDUIT BOX LID, CAST	1.000 EA
51XW2520A12	.25-20 X .75, TAPTITE II, HEX WSHR SLTD	4.000 EA
HW2501J37	KEY, 5/8 SQ X 4.375	1.000 EA
LB1115N	LABEL,LIFTING DEVICE (ON ROLLS)	1.000 EA
MN416A01	TAG-INSTAL-MAINT no wire (2100/bx) 4/22	1.000 EA
HA4051A00	PLASTIC CAP FOR GREASE FITTING	1.000 EA
HW4500A03	GREASE FITTING, .125 NPT 1610(ALEMITE) 8	1.000 EA

Parts List (continued)		
Part Number	Description	Quantity
HW4500A20	1/8NPT SL PIPE PLUG	1.000 EA
MJ1000A02	GREASE, MOBIL POLYREX EM - 124047	0.030 LB
HA4051A00	PLASTIC CAP FOR GREASE FITTING	1.000 EA
HW4500A03	GREASE FITTING, .125 NPT 1610(ALEMITE) 8	1.000 EA
HW4500A20	1/8NPT SL PIPE PLUG	1.000 EA
MG1000Y03	MUNSELL 2.53Y 6.70/ 4.60, GLOSS 20,	0.050 GA
85XU0407S04	4X1/4 U DRIVE PIN STAINLESS	4.000 EA
42AD2001A01	BAFFLE PLATE 42 OPEN, SLOTTED BAND MTRS	1.000 EA
42AD2001A01	BAFFLE PLATE 42 OPEN, SLOTTED BAND MTRS	1.000 EA
HA3151A12	THRUBOLT STUD 1/2-13 X 23.00	4.000 EA
LB1119N	WARNING LABEL	1.000 EA
LC0181	CONNECTION LABEL	1.000 EA
NP2138LUA	ALUM SUPER-E UL CSA-EEV PREM CC (300SER)	1.000 EA
42PA1000	PACKAGING GROUP PRINT PK1024A07	1.000 EA
PE-0000013	ZRTG PE ASSEMBLY	1.000 EA

AC Induction Motor Performance Data

Record # 17314

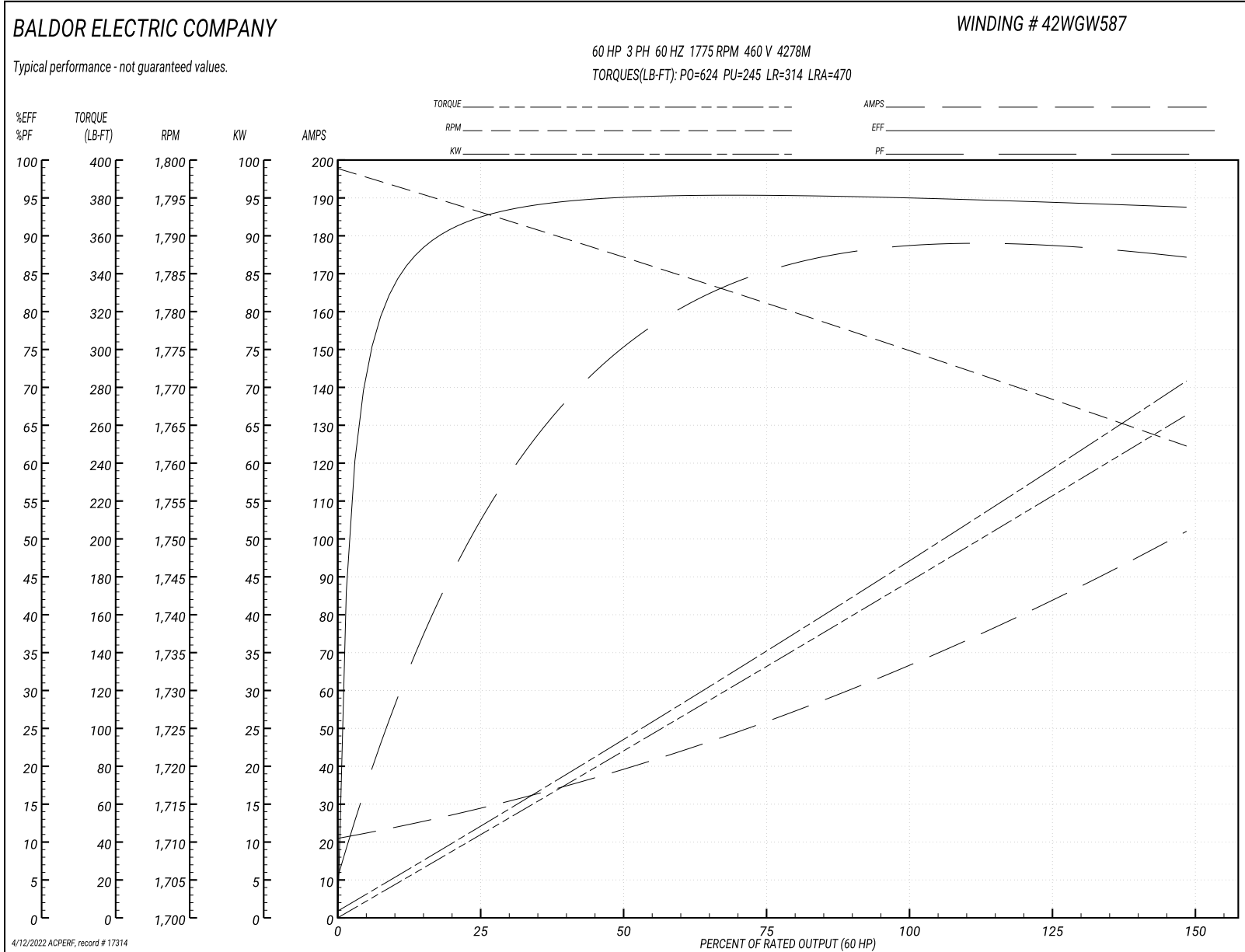
Typical performance - not guaranteed values

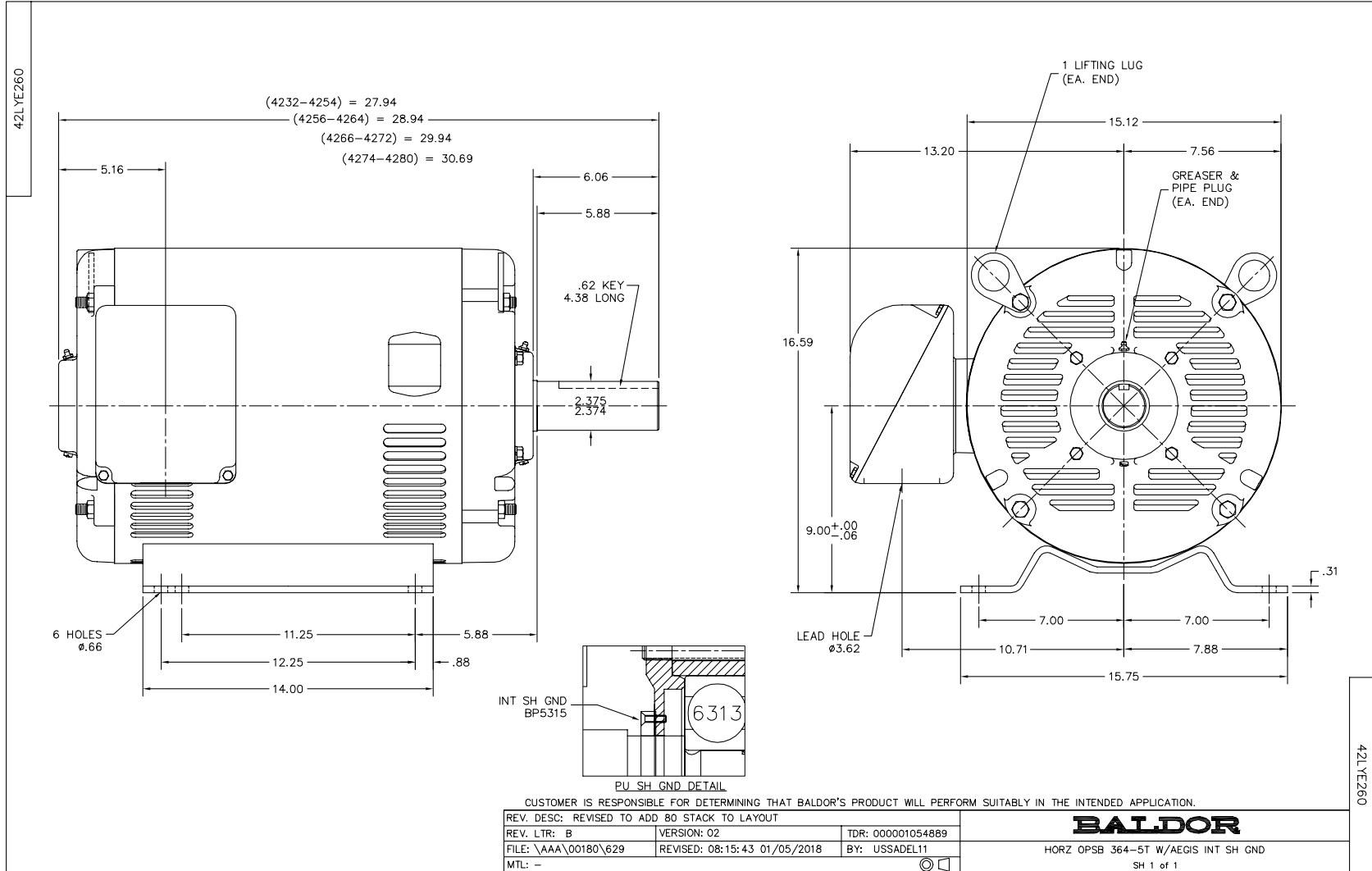
Winding: 42WGW587-R005			Type: 4278M	Enclosure: OPSB	
Nameplate Data			460 V, 60 Hz: High Voltage Connection		
Rated Output (HP)	60		Full Load Torque	177 LB-FT	
Volts	230/460		Start Configuration	direct on line	
Full Load Amps	136/68		Breakdown Torque	624 LB-FT	
R.P.M.	1775		Pull-up Torque	245 LB-FT	
Hz	60 Phase	3	Locked-rotor Torque	314 LB-FT	
NEMA Design Code	A	KVA Code G	Starting Current	470 A	
Service Factor (S.F.)	1.15		No-load Current	22.2 A	
NEMA Nom. Eff.	95	Power Factor 87	Line-line Res. @ 25°C	0.0815 Ω	
Rating - Duty	40C AMB-CONT		Temp. Rise @ Rated Load	30°C	
S.F. Amps			Temp. Rise @ S.F. Load	40°C	
			Locked-rotor Power Factor	26.2	
			Rotor inertia	10.4 LB-FT ²	

Load Characteristics 460 V, 60 Hz, 60 HP

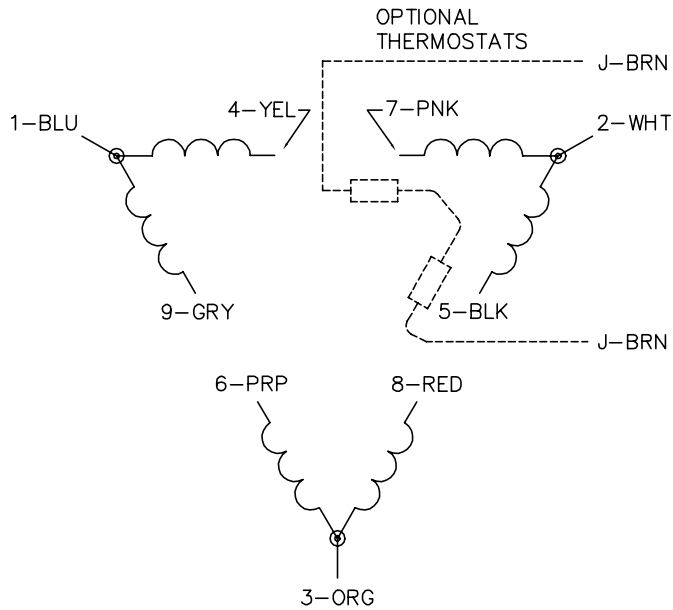
% of Rated Load	25	50	75	100	125	150	S.F.
Power Factor	56	77	85	87	89	89	88
Efficiency	92.6	94.9	95.3	95	94.6	93.7	94.8
Speed	1793	1787	1781	1775	1769	1762	1771
Line amperes	27.3	38.7	52.1	67.6	83.6	101.3	77.1

Performance Graph at 460V, 60Hz, 60.0HP Typical performance - Not guaranteed values

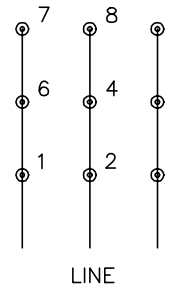




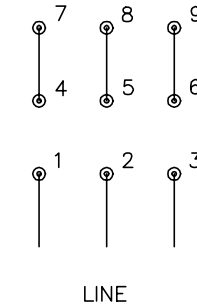
CD0180



LOW VOLTAGE
(2D)



HIGH VOLTAGE
(1D)



NOTES:

1. INTERCHANGE ANY TWO LINE LEADS TO REVERSE ROTATION.
2. OPTIONAL THERMOSTATS ARE PROVIDED WHEN SPECIFIED.
3. ACTUAL NUMBER OF INTERNAL PARALLEL CIRCUITS MAY BE A MULTIPLE OF THOSE SHOWN ABOVE.
4. LEAD COLORS ARE OPTIONAL. LEADS MUST ALWAYS BE NUMBERED AS SHOWN.

CD0180

REV. DESC: ADD CLASS CONN00000007		
REV. LTR: D	VERSION: 01	TDR: 000001099922
FILE: \AAA\00005\148	REVISED: 10:25:29 02/19/2019	BY: ENBRIRO
MTL: -	© □	

BALDOR - RELIANCE®

3PH, DV, 9 LEADS, DELTA CONNECTION

SH 1 of 1

Marketing maintained PDF of MN416:

<http://www.baldor.com/support/Literature/Load.ashx/MN416?ManNumber=MN416>