

BALDOR • RELIANCE

Customer information packet

EM2548T-4CI

60HP, 1185RPM, 3PH, 60HZ, 404T, M400MAG, OPEN,

Class - None

Division - Not Applicable

Specifications

Enclosure	DP
Frame	404T
Frame Material	Iron
Frequency	60.00 Hz
Motor Letter Type	Three Phase
Output @ Frequency	60.000 HP @ 60 HZ
Phase	3
Synchronous Speed @ Frequency	1200 RPM @ 60 HZ
Voltage @ Frequency	460.0 V @ 60 HZ
XP Class and Group	None
XP Division	Not Applicable
Agency Approvals	CSA EEV CCSA US
Ambient Temperature	40 °C
Auxillary Box	No Auxillary Box
Base Indicator	Rigid
Bearing Grease Type	Polyrex EM (-20F +300F)
Current @ Voltage	70.400 A @ 460.0 V
Design Code	B
Drip Cover	No Drip Cover
Duty Rating	CONT
Efficiency @ 100% Load	95.0 %
Feedback Device	NO FEEDBACK
Heater Indicator	No Heater
High Voltage Full Load Amps	70.4 a
Insulation Class	F
Inverter Code	Inverter Ready
KVA Code	G
Lifting Lugs	No Lifting Lugs
Motor Lead Quantity/Wire Size	6 @ 6 AWG
Motor Standards	NEMA
Motor Type	A40052M

Part detail

Revision	K
Type	AC
Mech. spec.	
Base	
Status	PRD/A
Elec. spec.	A40WG0475
Layout	611750-001
Eff. date	02-24-2017
CD Diagram	416820-008
Poles	06
Leads	6#6
Proprietary	False
Created date	10-19-2010

Mounting Arrangement	F1
Number of Poles	6
Overall Length	34.00 IN
Power Factor	84
Pulley End Bearing Type	Ball
Pulley Face Code	C-Face
Service Factor	1.15
Shaft Diameter	2.875 IN
Shaft Ground Indicator	No Shaft Grounding
Shaft Rotation	Reversible
Shaft Slinger Indicator	No Slinger
Speed	1185 rpm
Speed Code	Single Speed
Starting Method	Wye Start - Delta Run
Thermal Device - Bearing	None
Thermal Device - Winding	None

Nameplate

NP2381L

SPEC NO.	P40G4411	CAT.NO.	EM2548T-4CI	FRAME	404T
HP	60	PHASE	3	DESIGN	B
		TYPE	P		
RPM	1185	HZ	60	AMB	40
		SF	1.15		
VOLTS	460	DUTY	CONT	INSUL.CLASS	F
AMPS	70.4	ENCL	DP	CODE	G
DRIVE END BEARING	80BC03J30X	NEMA-NOM-EFFICIENCY	95		
OPP D.E. BEARING	80BC03J30X				
SER.NO.					
		MOTOR WEIGHT	1009		

Parts list

Part number	Description	Quantity
SA206547	SA P40G4411	1.000 ea
RA193814	RA P40G4411	1.000 ea
000613006PU	N/P (RELEASE QTY 10,000) UL CSA LABEL	1.000 ea
NP2381L	SUPER-E ,SS, CSA,CSA SUPER-3	1.000 ea
000692000VD	LABEL WARNING	1.000 ea
004824015A	GREASE POLYREX EM	0.884 lb
032018010AK	HHCS 1/4-20X1-1/4L PLTD.	4.000 ea
032018020DK	HHCS 1/2-13X2-1/2 PLTD. 963746	2.000 ea
032018026DK	HHCS 1/2-13X3-1/4L PLTD.	2.000 ea
032018030CK	HHCS 3/8-16X3-3/4 PLATED	3.000 ea
034000012AB	WSHR 1/4 STD. PLATED	4.000 ea
034017012AB	LCKW 1/4 STD. PLATED 034017012AF	4.000 ea
035000001A	ALFTG 1/8" 1610-BL	1.000 ea
035000001A	ALFTG 1/8" 1610-BL	1.000 ea
034690002AB	PPLG 1/4" PLTD.	1.000 ea
089407052A	BRKT 400 089407052WCB	1.000 ea
405851012AD	SPACE	4.000 ea
410700000DA	WAVY SPRING WASHER	1.000 ea
702609001A	BAFFL 400 SUB PAINT	1.000 ea
032018010AK	HHCS 1/4-20X1-1/4L PLTD.	4.000 ea
032018020DK	HHCS 1/2-13X2-1/2 PLTD. 963746	2.000 ea
032018026DK	HHCS 1/2-13X3-1/4L PLTD.	2.000 ea
032018030CK	HHCS 3/8-16X3-3/4 PLATED	3.000 ea
034000012AB	WSHR 1/4 STD. PLATED	4.000 ea
034017012AB	LCKW 1/4 STD. PLATED 034017012AF	4.000 ea
034690002AB	PPLG 1/4" PLTD.	1.000 ea
089407052A	BRKT 400 089407052WCB	1.000 ea
405851012AD	SPACE	4.000 ea
702609001A	BAFFL 400 SUB PAINT	1.000 ea
032018010CK	HHCS 3/8-16X1-1/4 PLTD. 032018010CR	4.000 ea
033512008LB	HHTTS 1/4-20X1 PLATED	4.000 ea

048897010DH	BUSH - 400	1.000 ea
067053000B	GASK 320-400	1.000 ea
076708000BB	CONDUIT BOX-360	1.000 ea
076709000A	C/B Cover - 360	1.000 ea
415000115H	T/LUG #2AWG-4/0AWG	1.000 ea
MG1025Y17	WILKOFAS, 789.701, SUPER E PEARL GOLD	0.250 ga
033775004EA	DRSCR #6-1/4 304 S.S.	4.000 ea
034180044JA	KEY 3/4X3/4X5-1/2 L	1.000 ea
421948044	LABEL, MYLAR	1.000 ea
PK5004A02	WOOD BASE 40X32 STACK 2X4 RUNNER	1.000 ea
032018005DL	1/2-13 X 5/8 SILICON BRONZE HHCS	1.000 ea

611750-001

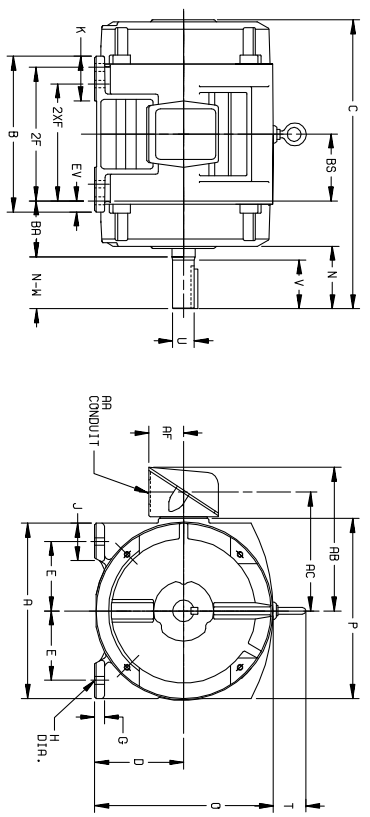
DUTY MASTER ALTERNATING CURRENT MOTORS

SQUIREL-CAGE INDUCTION

ENCLOSURE: PROTECTED
MOUNTING: FOOT

FRAMES 250T THRU 440T

COOLING: SELF-VENTILATED



DIMENSIONS ARE IN INCHES

FRAME	A	D(2)	E	C	H	J	K	O	P	T	STEEL TERMINAL BOX					
											AA	AB	AC	AE	BA	EV
254I-258T	12.30	6.25	5.00	.69	.58	2.25	3.50	12.61	12.69	2.44	1-1/4	10.19	8.19	2.30	4.25	.62
264I-268T	14.00	7.00	5.50	.75	.56	2.75	3.75	14.12	14.31	2.44	1-1/2	12.19	9.44	3.19	4.25	1.00
324I-326T	15.75	8.00	6.25	.88	.69	3.12	4.00	16.10	16.42	2.44	2	14.25	10.75	4.25	5.25	1.00
364I-365T	17.00	9.00	7.00	.88	.69	3.00	3.62	18.30	19.56	2.94	3	18.06	14.00	5.38	5.88	1.00
404I-405T	19.00	10.00	8.00	1.12	.81	3.25	4.75	20.56	21.81	2.94	3	19.06	15.00	4.38	6.62	1.12
444I-445T	21.00	11.00	9.00	1.12	.81	3.25	5.25	22.91	23.62	3.25	3	22.62	17.38	5.50	7.50	1.25

FRAME	C	BS	B	2F	(4) 2F	N	(N-W)(3)	SHAFT AND KEY	5/8	3/4	3/2	2	2 1/2	3	4	5	6	WGT (LBS.)
254I	22.44	5.00	11.52	10.00	8.25	4.25	4.00	1.82	3.75	3.75	3.75	3.75	3.75	3.75	3.75	3.75	292	
264I	24.44	5.50	11.52	10.00	9.50	4.88	4.00	1.82	3.75	3.75	3.75	3.75	3.75	3.75	3.75	3.75	340	
324I	24.94	5.50	13.00	---	9.50	3.50	3.25	1.62	3.00	3.00	3.00	3.00	3.00	3.00	3.00	3.00	370	
364I	24.94	5.50	13.00	---	9.50	3.25	3.25	1.62	3.00	3.00	3.00	3.00	3.00	3.00	3.00	3.00	370	
404I	27.56	6.00	14.00	---	10.50	4.00	3.50	2.12	3.50	3.50	3.50	3.50	3.50	3.50	3.50	3.50	465	
444I	27.56	6.00	14.00	---	10.50	4.00	3.25	1.82	3.50	3.50	3.50	3.50	3.50	3.50	3.50	3.50	505	
326T	27.56	6.00	14.00	12.00	---	5.50	5.25	2.12	3.50	3.50	3.50	3.50	3.50	3.50	3.50	3.50	505	
366T	28.06	6.00	14.00	12.00	---	4.00	3.75	1.82	3.50	3.50	3.50	3.50	3.50	3.50	3.50	3.50	505	
364T	29.70	6.12	14.25	---	11.25	6.12	5.88	2.37	5.62	6.25	6.25	6.25	6.25	6.25	6.25	6.25	715	
365T	27.58	6.12	14.25	12.25	---	6.12	5.88	2.37	5.62	6.25	6.25	6.25	6.25	6.25	6.25	6.25	755	
365T	27.58	6.12	14.25	12.25	---	6.12	5.88	2.37	5.62	6.25	6.25	6.25	6.25	6.25	6.25	6.25	755	
404T	34.00	6.88	16.00	---	12.25	4.00	3.75	1.82	3.50	3.50	3.50	3.50	3.50	3.50	3.50	3.50	1025	
404T	34.00	6.88	16.00	---	12.25	4.62	4.25	2.12	4.00	4.00	4.00	4.00	4.00	4.00	4.00	4.00	1025	
405T	31.00	6.88	16.00	---	12.25	4.62	4.25	2.12	4.00	4.00	4.00	4.00	4.00	4.00	4.00	4.00	1065	
444T	39.56	8.25	19.00	---	14.50	5.19	4.75	2.37	4.50	4.50	4.50	4.50	4.50	4.50	4.50	4.50	1715	
444T	39.56	8.25	19.00	---	14.50	5.19	4.75	2.37	4.50	4.50	4.50	4.50	4.50	4.50	4.50	4.50	1715	
445T	39.56	8.25	19.00	---	16.50	8.94	8.50	3.37	8.25	8.25	8.25	8.25	8.25	8.25	8.25	8.25	1755	
445T	35.81	8.25	19.00	---	16.50	5.19	4.75	2.37	4.50	4.50	4.50	4.50	4.50	4.50	4.50	4.50	1750	

- (1) SPECIAL DIMENSIONS APPLYING TO THIS ORDER ON THIS LINE.
 - (2) "D" VARIES [250T - 320T +0.0, -.03, 360T - 440T +0.0, -.06.
 - (3) "U" VARIES +.000, -.001
 - (4) ALL FRAMES HAVE EIGHT MOUNTING HOLES FOR DUAL MOUNTING.
 - (5) MOTOR WEIGHTS MAY VARY BY 15% DEPENDING UPON RATING.
- CONDUIT BOX LOCATED ON OPPOSITE SIDE WHEN F-2-W-1, W-4-W-5-W-7, OR C-1 MOUNTING IS SPECIFIED.

IF MOUNTING CLEARANCE DETAILS ARE REQUIRED, CONSULT FACTORY.

MAXIMUM PERMISSIBLE SHAFT RUNOUT WHEN MEASURED AT END OF STD. SHAFT EXTENSION IS .002 T.I.R. UP TO AND INCLUDING 1.625 DIA. AND .003 T.I.R. ABOVE 1.625 TO 5 INCH DIA.

FRAMES "N-W" VARIES +.00, -.25
 ORDER- _____ ITEM- _____ HP- _____ CERTIFIED FOR- _____ RPM- _____ APPROVED BY- _____ PH- _____ HZ _____ VOLTS _____
 SALES ORDER- _____ DATE _____

CUSTOMER IS RESPONSIBLE FOR DETERMINING THAT BALDOR'S PRODUCT WILL PERFORM SUITABLY IN THE INTENDED APPLICATION.

REV. DESC: ASSIGNED TO BUSLOAD	VERSION: 01	TDR: 00000489455	Baldor • Dodge • Reliance
FILE: \RAG\00008\297	REVISED: 15:03:33 02/02/2009	BY: RAG:JR	
MTL: -			

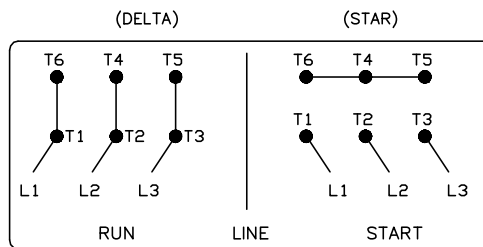
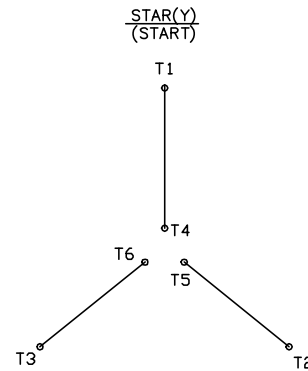
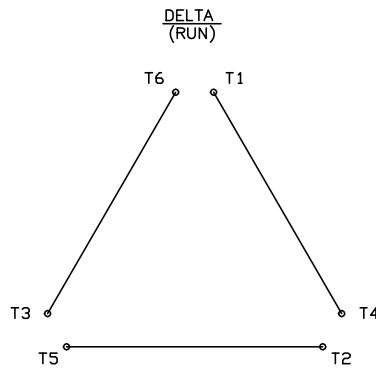
DIM SHT PROT SV FT 250-440T
SH 1 of 1

416820-008

A-C MOTOR CONNECTION DIAGRAM

STANDARD 6 LEAD

Y START – DELTA RUN



< N. P. 1767-DC >

REV. DESC: ADDED T4 TO Y CONNECT DIAGRAM		
REV. LTR: D	VERSION: 04	TDR: 00000847713
FILE: \RAG\00001\808	REVISED: 10: 41: 26 04/08/2014	BY: RAGJSS1
MTL: -	© □	

BALDOR

CONNECT DIAGRAM STD 6 LEAD Y START DELTA RUN

SH 1 of 1

416820-008