

BALDOR[®] • RELIANCE 

Product Information Packet

EM2548T

60HP, 1185RPM, 3PH, 60HZ, 404T, 4476M, OPSB, F1

Part Detail							
Revision:	P	Status:	PRD/A	Change #:		Proprietary:	No
Type:	AC	Elec. Spec:	44WG300	CD Diagram:	CD0180	Mfg Plant:	
Mech. Spec:	44E057	Layout:	44LYE057	Poles:	06	Created Date:	05-07-2010
Base:	RG	Eff. Date:	04-08-2019	Leads:	9#6		

Specs			
Catalog Number:	EM2548T	Insulation Class:	F
Enclosure:	OPSB	Inverter Code:	Inverter Ready
Frame:	404T	KVA Code:	H
Frame Material:	Steel	Lifting Lugs:	Standard Lifting Lugs
Output @ Frequency:	60.000 HP @ 60 HZ	Locked Bearing Indicator:	Locked Bearing
Synchronous Speed @ Frequency:	1200 RPM @ 60 HZ	Motor Lead Quantity/Wire Size:	9 @ 6 AWG
Voltage @ Frequency:	460.0 V @ 60 HZ	Motor Lead Exit:	Ko Box
	230.0 V @ 60 HZ	Motor Lead Termination:	Flying Leads
Agency Approvals:	CSA	Motor Type:	4480M
	CSA EEV	Mounting Arrangement:	F1
	UR	Power Factor:	79
Auxillary Box:	No Auxillary Box	Product Family:	General Purpose
Auxillary Box Lead Termination:	None	Pulley End Bearing Type:	Ball
Base Indicator:	Rigid	Pulley Face Code:	Standard
Bearing Grease Type:	Polyrex EM (-20F +300F)	Pulley Shaft Indicator:	Standard
Blower:	None	Rodent Screen:	None
Current @ Voltage:	76.000 A @ 460.0 V	Shaft Extension Location:	Pulley End
	160.000 A @ 208.0 V	Shaft Ground Indicator:	No Shaft Grounding

	152.000 A @ 230.0 V	Shaft Rotation:	Reversible
Design Code:	A	Shaft Slinger Indicator:	No Slinger
Drip Cover:	No Drip Cover	Speed Code:	Single Speed
Duty Rating:	CONT	Motor Standards:	NEMA
Electrically Isolated Bearing:	Not Electrically Isolated	Starting Method:	Direct on line
Feedback Device:	NO FEEDBACK	Thermal Device - Bearing:	None
Front Face Code:	Standard	Thermal Device - Winding:	None
Front Shaft Indicator:	None	Vibration Sensor Indicator:	No Vibration Sensor
Heater Indicator:	No Heater	Winding Thermal 1:	None
		Winding Thermal 2:	None

Nameplate NP2138LUA											
CAT.NO.	EM2548T			P/N				ENCLOSURE	OPSB		
SPEC.	44E057W300G1		CC	010A		FRAME	404T		S/N		
HP	60			CLASS	F		HZ	60			
RPM	1185			PH	3		DES	A			
VOLT	230/460			KVA-CODE	H		ODE BRG	6312		DE BRG	6316
AMP	152/76			USABLE AT 208V	160						
RATING	40C AMB-CONT			GREASE	POLYREX EM						
NEMA-NOM-EFF	94.5	PF	79	SER.F.	1.15						
HTR-VOLTS	50Hz 60Hp 190/380V 178/89A					SF 1.0					
HTR-AMPS											

Parts List		
Part Number	Description	Quantity
SA194477	SA 44E057W300G1	1.000 EA
RA182064	RA 44E057W300G1	1.000 EA
HA6731	LIFTING LUG FOR 44 FRAME MOTORS.	2.000 EA
HA6648A01	CAST ADAPTER, 44 FRAME - NEMA 404-5 - MA	1.000 EA
19XW3816A12	.38-16 X .75 HEX WASHER HEAD TAPTITE II	2.000 EA
HW1001A38	LOCKWASHER 3/8, ZINC PLT .688 OD, .382 I	2.000 EA
18CB1006A04	CB 318 3.62 LD HOLE, .38 MTG HOLE & 3.88	1.000 EA
19XW3118A16	.31-18 HEX WASHER HEAD TAPTITE II 1.00 L	4.000 EA
HW1001A31	LOCKWASHER 5/16, ZINC PLT.591 OD, .319 I	4.000 EA
WD1000B25	GND LUG, BURNDY L125HP OR T&B L125HP-BB	1.000 EA
10XN3118K08	5/16-18 X .50 GRADE #5, STL, ZINC PLATE	1.000 EA
HW1001A31	LOCKWASHER 5/16, ZINC PLT.591 OD, .319 I	1.000 EA
44EP1203A02	FREP, MACH	1.000 EA
HW5100A15	W4997-050 WVY WSHR (WB)	1.000 EA
10XN3816K48	3/8-16 X 3 HEX HD CAP SCREW,Z/P	4.000 EA
HW1001A38	LOCKWASHER 3/8, ZINC PLT .688 OD, .382 I	4.000 EA
44EP1202A01	PU ENDPLATE, MACH.	1.000 EA
XY5013A12	NUT,1/2-13,HEX,STEEL,ZINCPLATED	8.000 EA
18CB1506A01	CB LID 318 FOR 18CB1006	1.000 EA
10XN3118K16	5/16-18 X 1' GRADE #5, STL, ZINC PLATE	4.000 EA
HW1001A31	LOCKWASHER 5/16, ZINC PLT.591 OD, .319 I	4.000 EA
HW2501K66	KEY, 3/4 SQ X 5.625	1.000 EA
LB1115N	LABEL,LIFTING DEVICE (ON ROLLS)	1.000 EA
HA4051A00	PLASTIC CAP FOR GREASE FITTING	1.000 EA

Parts List (continued)		
Part Number	Description	Quantity
HW4500A03	GREASE FITTING, .125 NPT 1610(ALEMITE) 8	1.000 EA
HW4500A20	1/8NPT SL PIPE PLUG	1.000 EA
MJ1000A02	GREASE, MOBIL POLYREX EM - 124047	0.030 LB
HA4051A00	PLASTIC CAP FOR GREASE FITTING	1.000 EA
HW4500A03	GREASE FITTING, .125 NPT 1610(ALEMITE) 8	1.000 EA
HW4500A20	1/8NPT SL PIPE PLUG	1.000 EA
MG1000Y03	MUNSELL 2.53Y 6.70/ 4.60, GLOSS 20,	0.080 GA
85XU0407S04	4X1/4 U DRIVE PIN STAINLESS	4.000 EA
44AD2003B01	BAFFLE PLATE 44 OPSB, "X" = .030. "Y" =	1.000 EA
HA3175A03	THRUBOLT STUD 1/2-13 X 24.250 - GRADE 2	4.000 EA
44AD2003B01	BAFFLE PLATE 44 OPSB, "X" = .030. "Y" =	1.000 EA
LB1119N	WARNING LABEL	1.000 EA
LC0181	CONNECTION LABEL	1.000 EA
NP2138LUA	ALUM SUPER-E UL CSA-EEV PREM CC (300SER)	1.000 EA
MN416A01	TAG-INSTAL-MAINT no wire (2100/bx) 4/22	1.000 EA
44PA1000	PK GP COMB PRINT 39-3/8X31X23-7/8	1.000 EA

AC Induction Motor Performance Data

Record # 32127

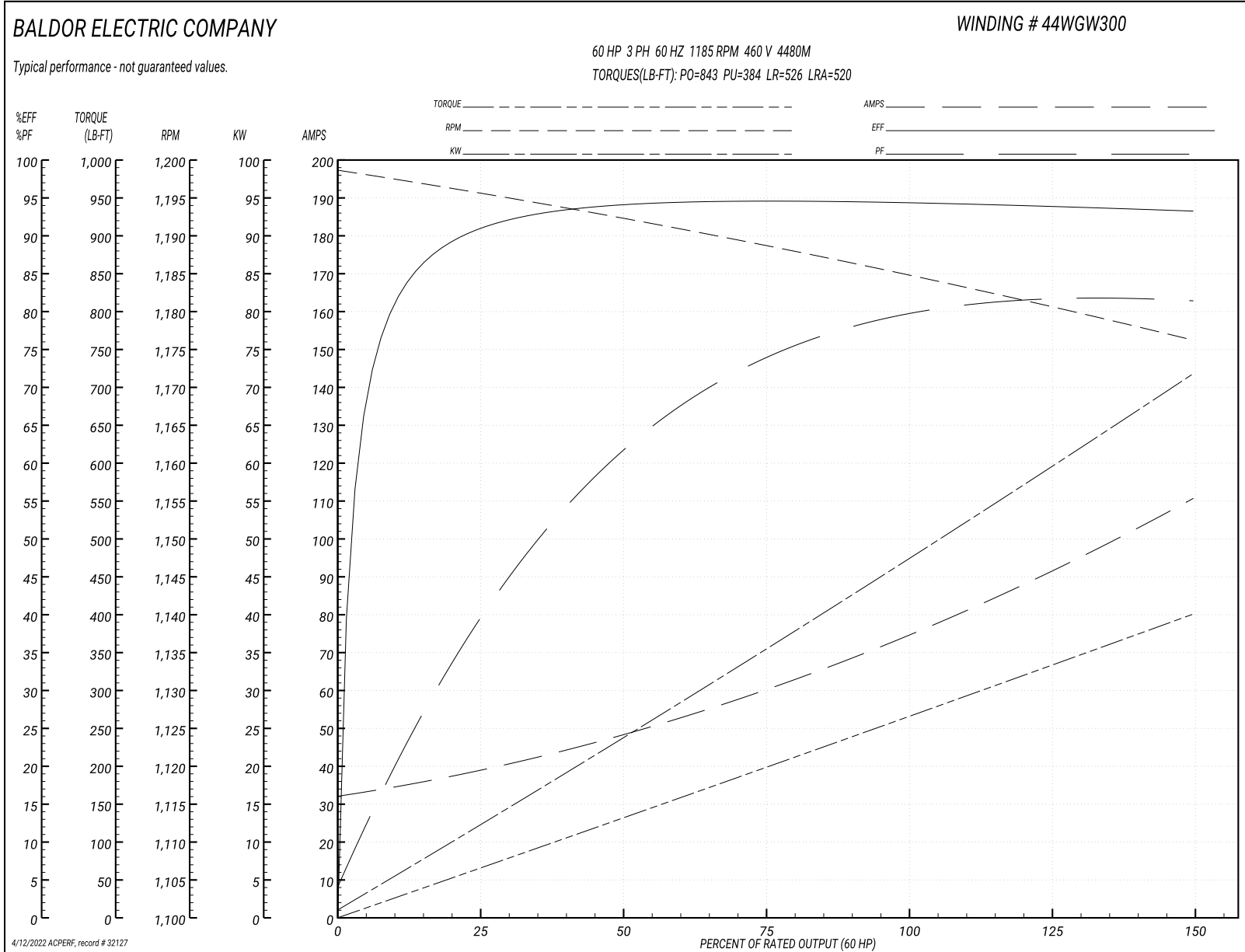
Typical performance - not guaranteed values

Winding: 44WG300-R001		Type: 4480M		Enclosure: OPSB	
Nameplate Data			460 V, 60 Hz: High Voltage Connection		
Rated Output (HP)	60	Full Load Torque	266 LB-FT		
Volts	230/460	Start Configuration	direct on line		
Full Load Amps	152/76	Breakdown Torque	843 LB-FT		
R.P.M.	1185	Pull-up Torque	384 LB-FT		
Hz	60 Phase	3	Locked-rotor Torque	526 LB-FT	
NEMA Design Code	A	KVA Code	H	Starting Current	520 A
Service Factor (S.F.)	1.15	No-load Current	33.2 A		
NEMA Nom. Eff.	94.5	Power Factor	79	Line-line Res. @ 25°C	0.084913 Ω
Rating - Duty	40C AMB-CONT		Temp. Rise @ Rated Load	42°C	
S.F. Amps			Temp. Rise @ S.F. Load	50°C	
			Locked-rotor Power Factor	29	
			Rotor inertia	22.8 LB-FT ²	

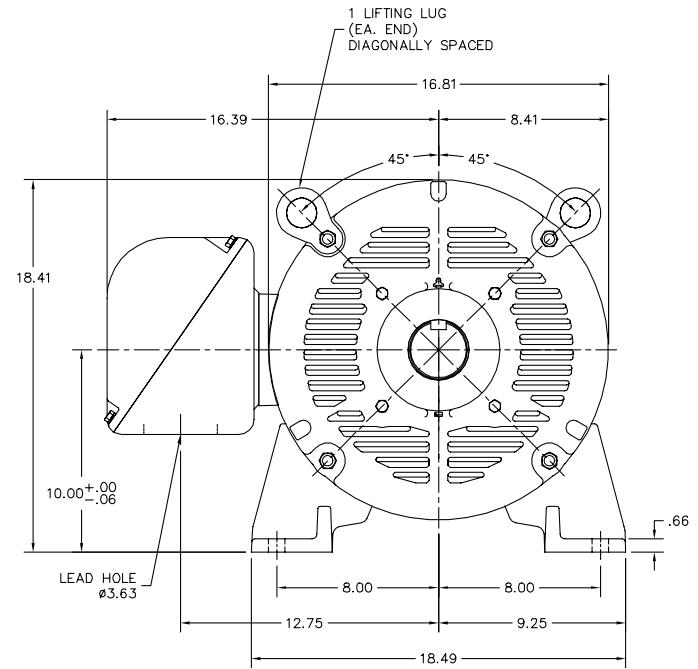
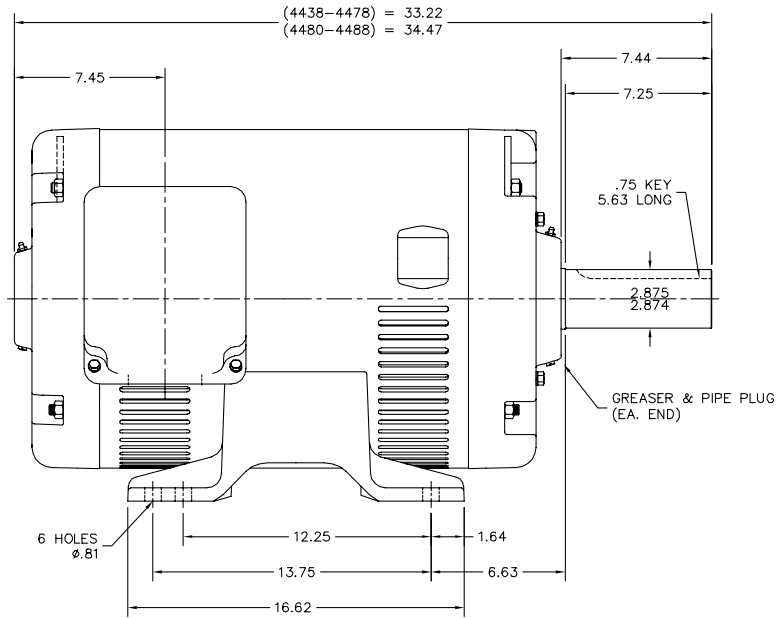
Load Characteristics 460 V, 60 Hz, 60 HP

% of Rated Load	25	50	75	100	125	150	S.F.
Power Factor	42	63	74	79	81	82	80
Efficiency	91.5	94.3	94.8	94.6	94.2	93.4	94.4
Speed	1195.3	1192.1	1188.9	1184.8	1180.9	1176	1182
Line amperes	37.6	47.6	60.7	75.5	92.2	110	85.5

Performance Graph at 460V, 60Hz, 60.0HP Typical performance - Not guaranteed values



44LYE057



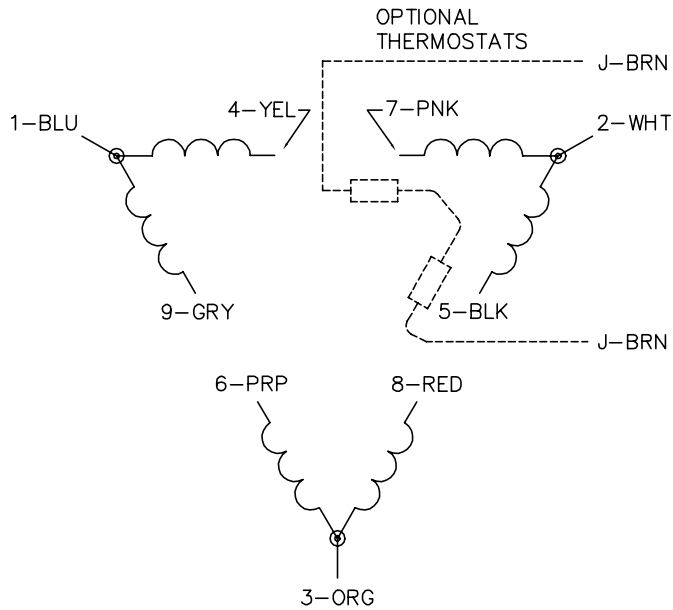
44LYE057

CUSTOMER IS RESPONSIBLE FOR DETERMINING THAT BALDOR'S PRODUCT WILL PERFORM SUITABLY IN THE INTENDED APPLICATION.

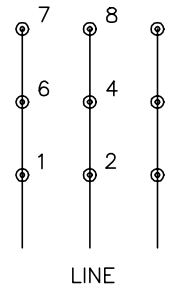
REV. DESC: ADDED MISSING DIMENSION		
REV. LTR: B	VERSION: 01	TDR: 000000858752
FILE: \AAA\00075\019	REVISED: 09:24:17 06/18/2014	BY: ENNINDO
MTL: -		

BALDOR
 HORZ OPSB 404-5T W/44AD2003
 SH 1 of 1

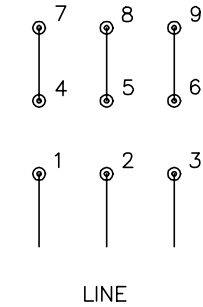
CD0180



LOW VOLTAGE
(2D)



HIGH VOLTAGE
(1D)



NOTES:

1. INTERCHANGE ANY TWO LINE LEADS TO REVERSE ROTATION.
2. OPTIONAL THERMOSTATS ARE PROVIDED WHEN SPECIFIED.
3. ACTUAL NUMBER OF INTERNAL PARALLEL CIRCUITS MAY BE A MULTIPLE OF THOSE SHOWN ABOVE.
4. LEAD COLORS ARE OPTIONAL. LEADS MUST ALWAYS BE NUMBERED AS SHOWN.

CD0180

REV. DESC: ADD CLASS CONN00000007		
REV. LTR: D	VERSION: 01	TDR: 000001099922
FILE: \AAA\00005\148	REVISED: 10:25:29 02/19/2019	BY: ENBRIRO
MTL: -	© □	

BALDOR - RELIANCE®

3PH, DV, 9 LEADS, DELTA CONNECTION

SH 1 of 1

Marketing maintained PDF of MN416:

<http://www.baldor.com/support/Literature/Load.ashx/MN416?ManNumber=MN416>