

BALDOR® • RELIANCE 

Product Information Packet

EM2551T-12

75HP, 1775RPM, 3PH, 60HZ, 365T, 4462M, OPSB, F1

Part Detail							
Revision:	P	Status:	PRD/A	Change #:		Proprietary:	No
Type:	AC	Elec. Spec:	44WGW162	CD Diagram:	CD0104	Mfg Plant:	
Mech. Spec:	44E196	Layout:	44LYE196	Poles:	04	Created Date:	08-03-2010
Base:	RG	Eff. Date:	08-21-2018	Leads:	12#8		

Specs			
Catalog Number:	EM2551T-12	Inverter Code:	Inverter Ready
Enclosure:	OPSB	KVA Code:	F
Frame:	365T	Lifting Lugs:	Standard Lifting Lugs
Frame Material:	Steel	Locked Bearing Indicator:	Locked Bearing
Output @ Frequency:	75.000 HP @ 60 HZ	Motor Lead Quantity/Wire Size:	12 @ 8 AWG
Synchronous Speed @ Frequency:	1800 RPM @ 60 HZ	Motor Lead Exit:	Ko Box
Voltage @ Frequency:	230.0 V @ 60 HZ	Motor Lead Termination:	Flying Leads
	460.0 V @ 60 HZ	Motor Type:	4462M
Agency Approvals:	CSA	Mounting Arrangement:	F1
	CSA EEV	Power Factor:	87
	UR	Product Family:	General Purpose
Auxillary Box:	No Auxillary Box	Pulley End Bearing Type:	Ball
Auxillary Box Lead Termination:	None	Pulley Face Code:	Standard
Base Indicator:	Rigid	Pulley Shaft Indicator:	Standard
Bearing Grease Type:	Polyrex EM (-20F +300F)	Rodent Screen:	None
Blower:	None	Shaft Extension Location:	Pulley End
Current @ Voltage:	174.000 A @ 230.0 V	Shaft Ground Indicator:	No Shaft Grounding
	87.000 A @ 460.0 V	Shaft Rotation:	Reversible

Design Code:	B	Shaft Slinger Indicator:	No Slinger
Drip Cover:	No Drip Cover	Speed Code:	Single Speed
Duty Rating:	CONT	Motor Standards:	NEMA
Electrically Isolated Bearing:	Not Electrically Isolated	Starting Method:	Wye Start - Delta Run
Feedback Device:	NO FEEDBACK	Thermal Device - Bearing:	None
Front Face Code:	Standard	Thermal Device - Winding:	None
Front Shaft Indicator:	None	Vibration Sensor Indicator:	No Vibration Sensor
Heater Indicator:	No Heater	Winding Thermal 1:	None
Insulation Class:	F	Winding Thermal 2:	None

Nameplate NP2138LUA											
CAT.NO.	EM2551T-12			P/N				ENCLOSURE	OPSB		
SPEC.	44E196W162G2		CC	010A		FRAME	365T		S/N		
HP	75			CLASS	F		HZ	60			
RPM	1775			PH	3		DES	B			
VOLT	230/460			KVA-CODE	F		ODE BRG	6312		DE BRG	6313
AMP	174/87			USABLE AT	208V						
RATING	40C AMB-CONT			GREASE	POLYREX EM						
NEMA-NOM-EFF	95	PF	87	SER.F.	1.15						
HTR-VOLTS	50Hz 75Hp 190/380V 208/104A			HTR-AMPS				SF 1.0			

Parts List		
Part Number	Description	Quantity
SA200830	SA 44E196W162G2	1.000 EA
RA188141	RA 44E196W162G2	1.000 EA
HA6731	LIFTING LUG FOR 44 FRAME MOTORS.	2.000 EA
HA6616A01	CAST ADAPTOR, 44 FRAME - NEMA 364-5 - MA	1.000 EA
19XW3816A16	.38-16 X 1.00 HEX WASHER HEAD TAPTITE II	2.000 EA
HW1001A38	LOCKWASHER 3/8, ZINC PLT .688 OD, .382 I	2.000 EA
10CB3002A02	CB 309 3.62 LD HOLE, .38 MTG HOLE & 3.50	1.000 EA
19XW3118A16	.31-18 HEX WASHER HEAD TAPTITE II 1.00 L	4.000 EA
HW1001A31	LOCKWASHER 5/16, ZINC PLT.591 OD, .319 I	4.000 EA
WD1000B25	GND LUG, BURNDY L125HP OR T&B L125HP-BB	1.000 EA
19XW3118G08	.31-18X.50,HEX WSHR HD,TAPTITE 2,GREEN	1.000 EA
44EP1203A02	FREP, MACH	1.000 EA
HW5100A15	W4997-050 WVY WSHR (WB)	1.000 EA
10XN3816K48	3/8-16 X 3 HEX HD CAP SCREW,Z/P	4.000 EA
HW1001A38	LOCKWASHER 3/8, ZINC PLT .688 OD, .382 I	4.000 EA
44EP1203A01	PU ENDPLATE, MACH	1.000 EA
XY5013A12	NUT,1/2-13,HEX,STEEL,ZINCPLATED	8.000 EA
10CB3500SP	CONDUIT BOX LID, CAST	1.000 EA
51XW2520A12	SCREW, HEX SER SLT HD, ZN, 1/4-20 X .75	4.000 EA
HW2501J36	KEY, 5/8 SQ X 4.250	1.000 EA
LB1115N	LABEL,LIFTING DEVICE (ON ROLLS)	1.000 EA
MN416A01	TAG-INSTAL-MAINT no wire (2100/bx) 4/22	1.000 EA
HW4500A03	GREASE FITTING, .125 NPT 1610(ALEMITE) 8	1.000 EA
HW4500A20	1/8NPT SL PIPE PLUG	1.000 EA

Parts List (continued)		
Part Number	Description	Quantity
HA4051A00	PLASTIC CAP FOR GREASE FITTING	1.000 EA
MJ1000A02	GREASE, MOBIL POLYREX EM - 124047	0.030 LB
HW4500A03	GREASE FITTING, .125 NPT 1610(ALEMITE) 8	1.000 EA
HW4500A20	1/8NPT SL PIPE PLUG	1.000 EA
HA4051A00	PLASTIC CAP FOR GREASE FITTING	1.000 EA
MG1000Y03	MUNSELL 2.53Y 6.70/ 4.60, GLOSS 20,	0.080 GA
85XU0407S04	4X1/4 U DRIVE PIN STAINLESS	4.000 EA
44AD2001A02	BAFFLE 44 OPEN,"X"=1.50, SLOTTED BAND MT	1.000 EA
44AD2001A02	BAFFLE 44 OPEN,"X"=1.50, SLOTTED BAND MT	1.000 EA
HA3175A02	THRUBOLT STUD 1/2-13 X 24.500 - GRADE 2	4.000 EA
LB1119N	WARNING LABEL	1.000 EA
LC0104A01	CONNECTION DIAGRAM	1.000 EA
NP2138LUA	ALUM SUPER-E UL CSA-EEV PREM CC (300SER)	1.000 EA
44PA1000	PK GP COMB PRINT 39-3/8X31X23-7/8	1.000 EA

AC Induction Motor Performance Data

Record # 31071

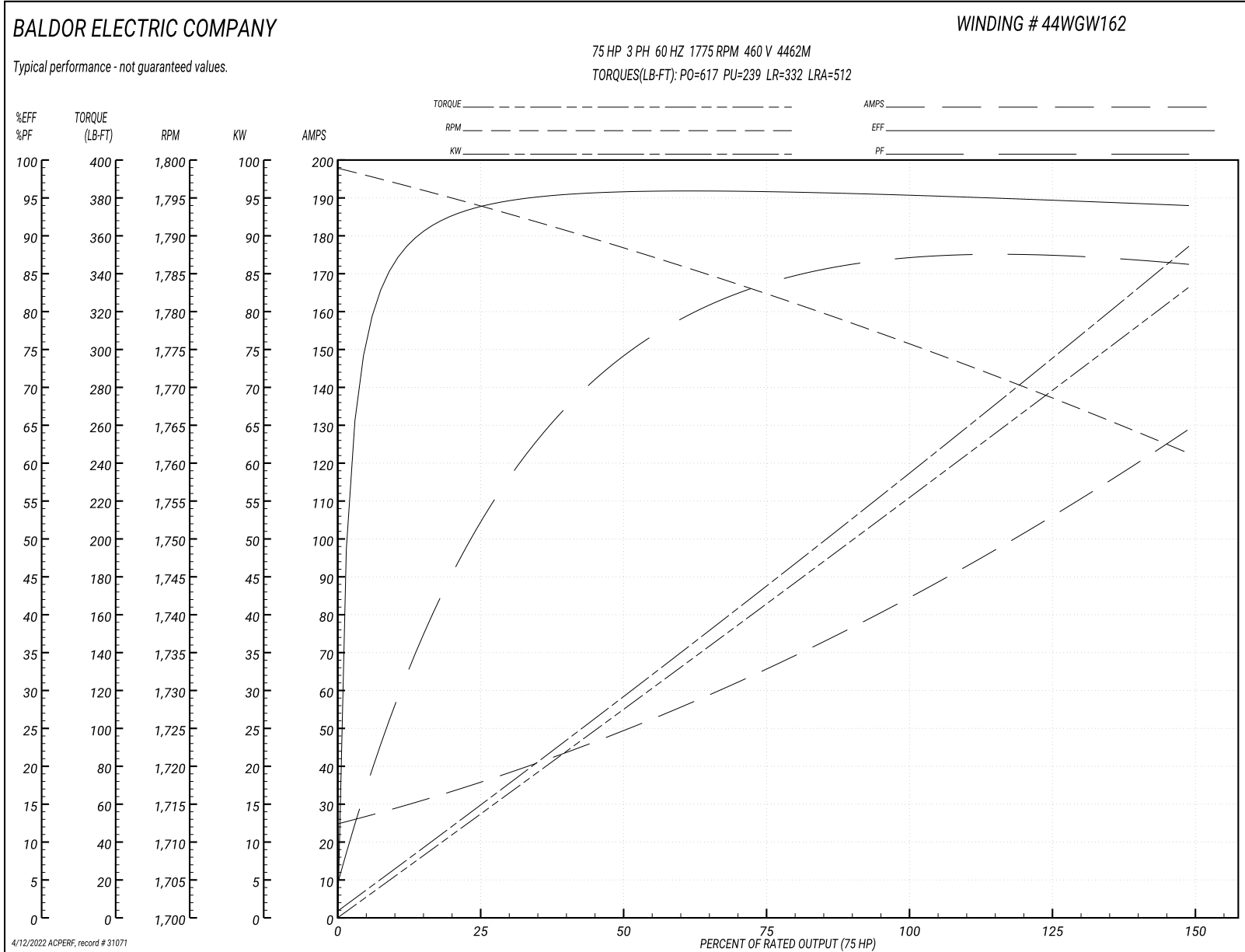
Typical performance - not guaranteed values

Winding: 44WGW162-R001			Type: 4462M			Enclosure: OPEN		
Nameplate Data				460 V, 60 Hz: High Voltage Connection				
Rated Output (HP)	75		Full Load Torque	222 LB-FT				
Volts	230/460		Start Configuration	direct on line				
Full Load Amps	174/87		Breakdown Torque	617 LB-FT				
R.P.M.	1775		Pull-up Torque	239 LB-FT				
Hz	60 Phase	3	Locked-rotor Torque	332 LB-FT				
NEMA Design Code	B KVA Code	F	Starting Current	512 A				
Service Factor (S.F.)	1.15		No-load Current	26.4 A				
NEMA Nom. Eff.	95 Power Factor	87	Line-line Res. @ 25°C	0.0781 Ω				
Rating - Duty	40C AMB-CONT		Temp. Rise @ Rated Load	30°C				
S.F. Amps			Temp. Rise @ S.F. Load	37°C				
			Locked-rotor Power Factor	26.3				
			Rotor inertia	11.7 LB-FT ²				

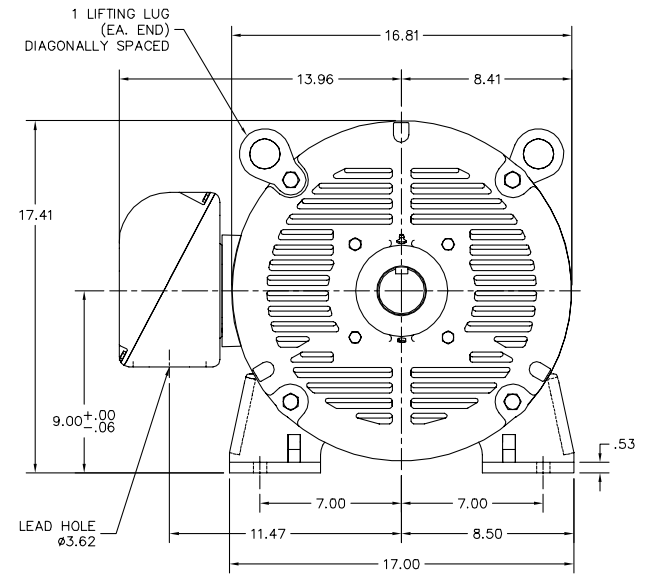
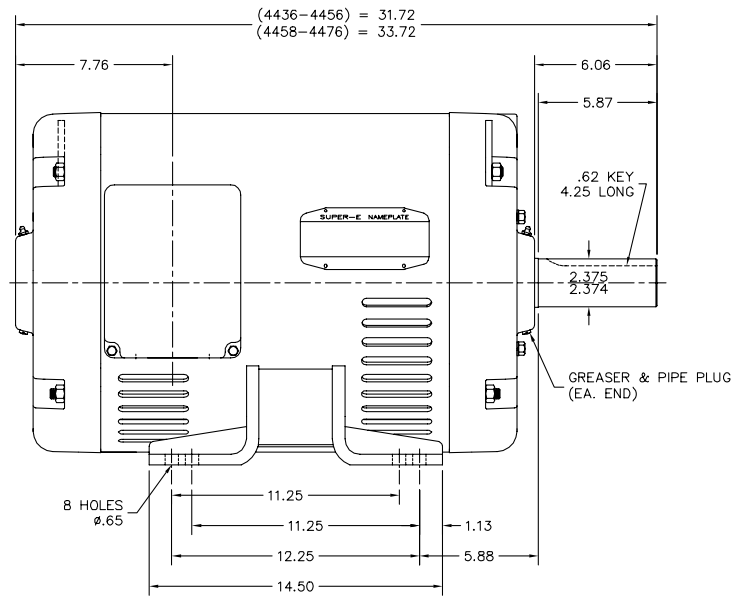
Load Characteristics 460 V, 60 Hz, 75 HP

% of Rated Load	25	50	75	100	125	150	S.F.
Power Factor	56	77	83	87	87	87	87
Efficiency	93.6	95.5	96	95.3	94.9	93.9	95.1
Speed	1794	1788	1782	1776	1769	1761	1772
Line amperes	34.1	48.2	66.2	87	106	128	97.8

Performance Graph at 460V, 60Hz, 75.0HP Typical performance - Not guaranteed values



44LYE196

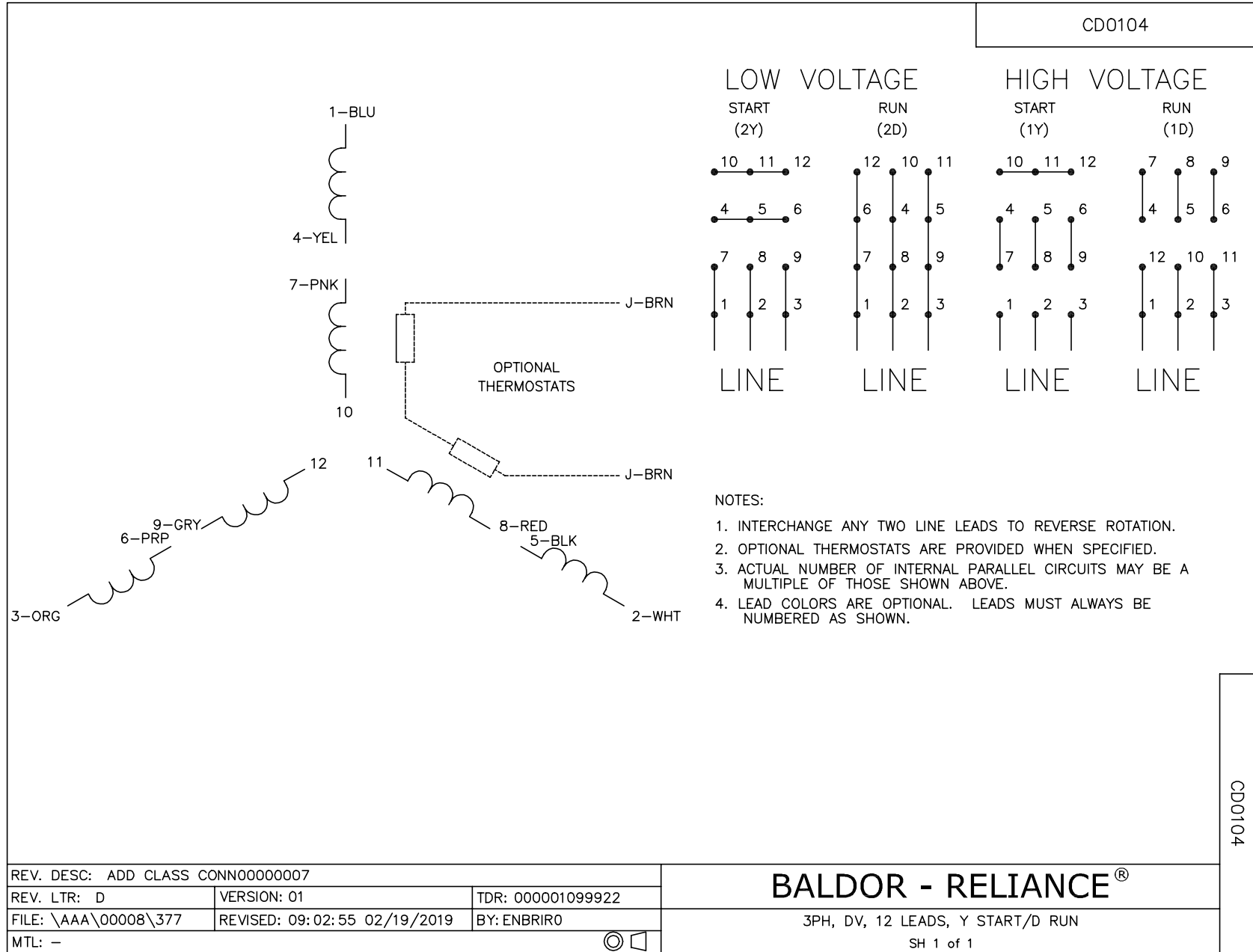


44LYE196

CUSTOMER IS RESPONSIBLE FOR DETERMINING THAT BALDOR'S PRODUCT WILL PERFORM SUITABLY IN THE INTENDED APPLICATION.

REV. DESC: UPDATED DESCRIPTION		
REV. LTR: A	VERSION: 01	TDR: 000000B55727
FILE: \AAA\00164\097	REVISED: 09:47:39 05/29/2014	BY: ENNINDO
MTL: -		

BALDOR
 HORZ OPSB 364-5T, SUPER-E
 SH 1 of 1



Marketing maintained PDF of MN416:

<http://www.baldor.com/support/Literature/Load.ashx/MN416?ManNumber=MN416>