

BALDOR® • RELIANCE 

Product Information Packet

EM2559T-5

125HP, 1775RPM, 3PH, 60HZ, 405T, 4488M, OPSB, F

Part Detail							
Revision:	Q	Status:	PRD/A	Change #:		Proprietary:	No
Type:	AC	Elec. Spec:	44WGW176	CD Diagram:	CD0006	Mfg Plant:	
Mech. Spec:	44E195	Layout:	44LYE195	Poles:	04	Created Date:	08-07-2009
Base:	RG	Eff. Date:	01-13-2022	Leads:	3#4		

Specs			
Catalog Number:	EM2559T-5	KVA Code:	G
Enclosure:	OPSB	Lifting Lugs:	Standard Lifting Lugs
Frame:	405T	Locked Bearing Indicator:	Locked Bearing
Frame Material:	Steel	Motor Lead Quantity/Wire Size:	3 @ 4 AWG
Output @ Frequency:	125.000 HP @ 60 HZ	Motor Lead Exit:	Ko Box
Synchronous Speed @ Frequency:	1800 RPM @ 60 HZ	Motor Lead Termination:	Flying Leads
Voltage @ Frequency:	575.0 V @ 60 HZ	Motor Type:	4488M
Agency Approvals:	CSA	Mounting Arrangement:	F1
	CSA EEV	Power Factor:	86
	UR	Product Family:	General Purpose
Auxillary Box:	No Auxillary Box	Pulley End Bearing Type:	Ball
Auxillary Box Lead Termination:	None	Pulley Face Code:	Standard
Base Indicator:	Rigid	Pulley Shaft Indicator:	Standard
Bearing Grease Type:	Polyrex EM (-20F +300F)	Rodent Screen:	None
Blower:	None	Shaft Extension Location:	Pulley End
Current @ Voltage:	114.000 A @ 575.0 V	Shaft Ground Indicator:	No Shaft Grounding
Design Code:	B	Shaft Rotation:	Reversible
Drip Cover:	No Drip Cover	Shaft Slinger Indicator:	No Slinger

Duty Rating:	CONT	Speed Code:	Single Speed
Electrically Isolated Bearing:	Not Electrically Isolated	Motor Standards:	NEMA
Feedback Device:	NO FEEDBACK	Starting Method:	Direct on line
Front Face Code:	Standard	Thermal Device - Bearing:	None
Front Shaft Indicator:	None	Thermal Device - Winding:	None
Heater Indicator:	No Heater	Vibration Sensor Indicator:	No Vibration Sensor
Insulation Class:	F	Winding Thermal 1:	None
Inverter Code:	Inverter Ready	Winding Thermal 2:	None

Nameplate NP2138L											
CAT.NO.	EM2559T-5			P/N				ENCLOSURE	OPSB		
SPEC.	44E195W176G2		CC	010A	FRAME	405T		S/N			
HP	125			CLASS	F	HZ	60				
RPM	1775			PH	3	DES	B				
VOLT	575				KVA-CODE	G		ODE BRG	6312	DE BRG	6316
AMP	114				USABLE AT 208V						
RATING	40C AMB-CONT				GREASE	POLYREX EM					
NEMA-NOM-EFF	95.4	PF	86	SER.F.	1.15						
HTR-VOLTS				HTR-AMPS							

Parts List		
Part Number	Description	Quantity
SA184574	SA 44E195W176G2	1.000 EA
RA172407	RA 44E195W176G2	1.000 EA
HA6731	LIFTING LUG FOR 44 FRAME MOTORS.	2.000 EA
HA6648A01	CAST ADAPTER, 44 FRAME - NEMA 404-5 - MA	1.000 EA
19XW3816A12	.38-16 X .75 HEX WASHER HEAD TAPTITE II	2.000 EA
HW1001A38	LOCKWASHER 3/8, ZINC PLT .688 OD, .382 I	2.000 EA
18CB1006A04	CB 318 3.62 LD HOLE, .38 MTG HOLE & 3.88	1.000 EA
19XW3118A16	.31-18 HEX WASHER HEAD TAPTITE II 1.00 L	4.000 EA
HW1001A31	LOCKWASHER 5/16, ZINC PLT.591 OD, .319 I	4.000 EA
WD1000B25	GND LUG, BURNDY L125HP OR T&B L125HP-BB	1.000 EA
10XN3118K08	5/16-18 X .50 GRADE #5, STL, ZINC PLATE	1.000 EA
HW1001A31	LOCKWASHER 5/16, ZINC PLT.591 OD, .319 I	1.000 EA
44EP1203A02	FREP, MACH	1.000 EA
HW5100A15	W4997-050 WVY WSHR (WB)	1.000 EA
10XN3816K48	3/8-16 X 3 HEX HD CAP SCREW,Z/P	4.000 EA
HW1001A38	LOCKWASHER 3/8, ZINC PLT .688 OD, .382 I	4.000 EA
44EP1202A01	PU ENDPLATE, MACH.	1.000 EA
XY5013A12	NUT,1/2-13,HEX,STEEL,ZINCPLATED	8.000 EA
18CB1506A01	CB LID 318 FOR 18CB1006	1.000 EA
10XN3118K16	5/16-18 X 1' GRADE #5, STL, ZINC PLATE	4.000 EA
HW1001A31	LOCKWASHER 5/16, ZINC PLT.591 OD, .319 I	4.000 EA
HW2501K66	KEY, 3/4 SQ X 5.625	1.000 EA
LB1115N	LABEL,LIFTING DEVICE (ON ROLLS)	1.000 EA
MN416A01	TAG-INSTAL-MAINT no wire (2100/bx) 4/22	1.000 EA

Parts List (continued)		
Part Number	Description	Quantity
HA4051A00	PLASTIC CAP FOR GREASE FITTING	1.000 EA
44AD2003A01	BAFFLE PLATE 44 OPSB, "X" = -.470, "Y" =	1.000 EA
HW4500A03	GREASE FITTING, .125 NPT 1610(ALEMITE) 8	1.000 EA
HW4500A20	1/8NPT SL PIPE PLUG	1.000 EA
MJ1000A02	GREASE, MOBIL POLYREX EM - 124047	0.030 LB
HA4051A00	PLASTIC CAP FOR GREASE FITTING	1.000 EA
44AD2003A01	BAFFLE PLATE 44 OPSB, "X" = -.470, "Y" =	1.000 EA
HW4500A03	GREASE FITTING, .125 NPT 1610(ALEMITE) 8	1.000 EA
HW4500A20	1/8NPT SL PIPE PLUG	1.000 EA
HA3175A03	THRUBOLT STUD 1/2-13 X 24.250 - GRADE 2	4.000 EA
MG1000Y03	MUNSELL 2.53Y 6.70/ 4.60, GLOSS 20,	0.080 GA
85XU0407S04	4X1/4 U DRIVE PIN STAINLESS	4.000 EA
LB1119N	WARNING LABEL	1.000 EA
LC0006	CONNECTION LABEL	1.000 EA
NP2138L	ALUM SUPER-E UL CSA-EEV PREM CC (300	1.000 EA
44PA1000	PK GP COMB PRINT 39-3/8X31X23-7/8	1.000 EA

AC Induction Motor Performance Data

Record # 24137

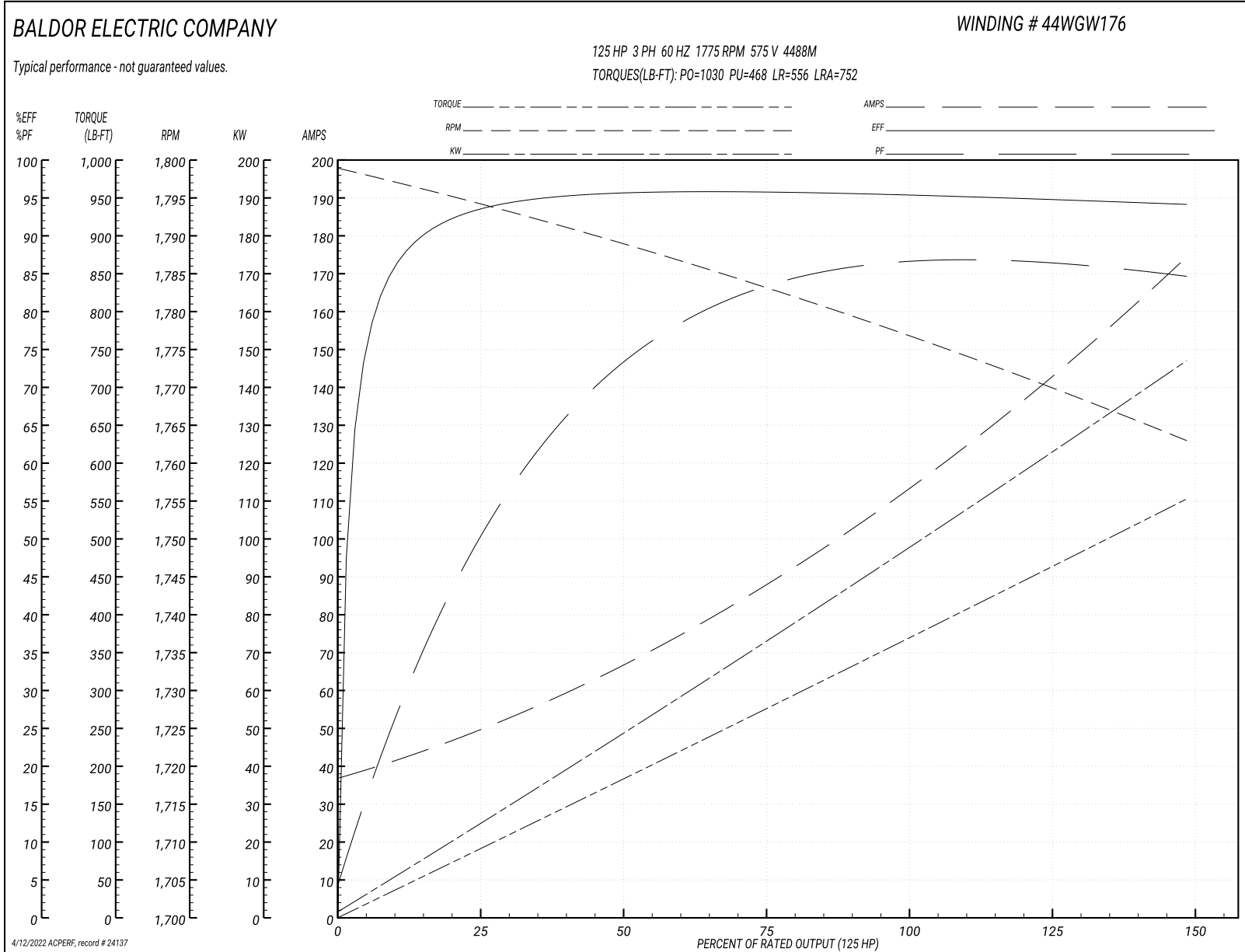
Typical performance - not guaranteed values

Winding: 44WGW176-R001		Type: 4488M		Enclosure: OPSB	
Nameplate Data			575 V, 60 Hz: Single Voltage Motor		
Rated Output (HP)	125	Full Load Torque	369 LB-FT		
Volts	575	Start Configuration	direct on line		
Full Load Amps	114	Breakdown Torque	1030 LB-FT		
R.P.M.	1775	Pull-up Torque	468 LB-FT		
Hz	60 Phase	3	Locked-rotor Torque	556 LB-FT	
NEMA Design Code	B KVA Code	G	Starting Current	752 A	
Service Factor (S.F.)	1.15	No-load Current	39 A		
NEMA Nom. Eff.	95.4	Power Factor	86	Line-line Res. @ 25°C	0.0581 Ω
Rating - Duty	40C AMB-CONT		Temp. Rise @ Rated Load	48°C	
S.F. Amps			Temp. Rise @ S.F. Load	58°C	
			Locked-rotor Power Factor	25	
			Rotor inertia	16.6 LB-FT ²	

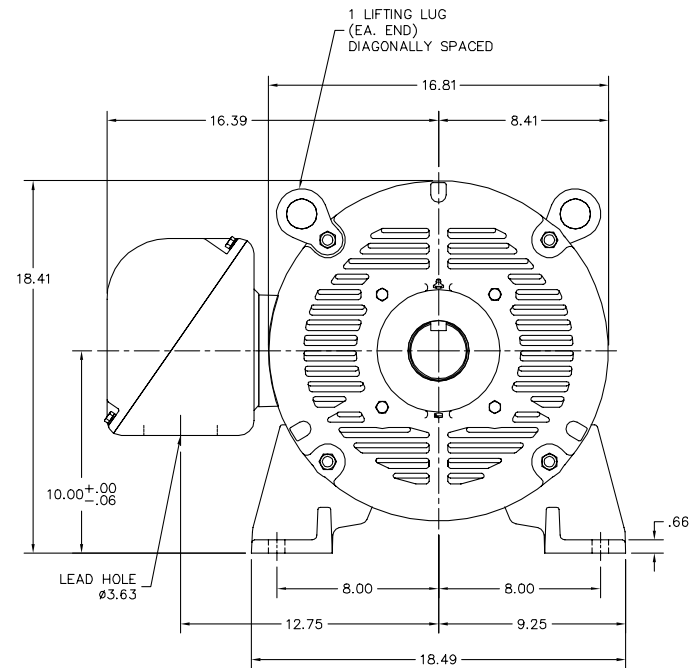
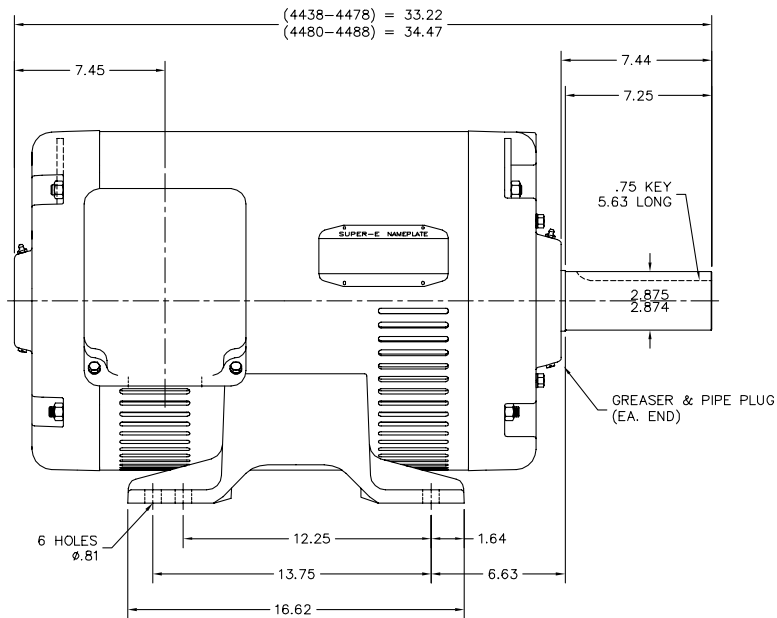
Load Characteristics 575 V, 60 Hz, 125 HP

% of Rated Load	25	50	75	100	125	150	S.F.
Power Factor	55	76	84	86	87	86	87
Efficiency	93.3	95.6	95.7	95.4	94.9	94.1	95.1
Speed	1794	1789	1783	1777	1770	1763	1773
Line amperes	47	65.5	88.9	115	143	173	132

Performance Graph at 575V, 60Hz, 125.0HP Typical performance - Not guaranteed values



44LYE195



44LYE195

CUSTOMER IS RESPONSIBLE FOR DETERMINING THAT BALDOR'S PRODUCT WILL PERFORM SUITABLY IN THE INTENDED APPLICATION.

REV. DESC: NEW	VERSION: 00	TDR: 000000505270
REV. LTR: -	REVISED: 07:36:24 07/13/2009	BY: ENGAMG0
FILE: \AAA\00164\074		
MTL: -		

BALDOR • DODGE • RELIANCE
 HORZ OPSB 404-5T, SUPER-E
 SH 1 of 1

CD0006



NOTES:

1. THREE LEAD MOTOR MAY BE EITHER WYE CONNECTED OR DELTA CONNECTED.
2. INTERCHANGE ANY TWO LINE LEADS TO REVERSE ROTATION.
3. OPTIONAL THERMOSTATS ARE PROVIDED WHEN SPECIFIED.
4. ACTUAL NUMBER OF INTERNAL PARALLEL CIRCUITS MAY VARY.
5. LEAD COLORS ARE OPTIONAL. LEADS MUST BE NUMBERED AS SHOWN.

CD0006

REV. DESC: ADD CLASS CONN00000007		
REV. LTR: E	VERSION: 01	TDR: 000001099922
FILE: \AAA\00005\141	REVISED: 10:24:49 02/19/2019	BY: ENBRIRO
MTL: -	© □	

BALDOR - RELIANCE®

3PH, SV, 3 LEADS, WYE OR DELTA CONNECTED

SH 1 of 1

Marketing maintained PDF of MN416:

<http://www.baldor.com/support/Literature/Load.ashx/MN416?ManNumber=MN416>