



---

# Customer information packet

## EM2563T-4

200HP, 1780RPM, 3PH, 60HZ, 445T, 1880M, OPEN

Class - None

Division - Not Applicable

## Specifications

|                               |                         |
|-------------------------------|-------------------------|
| Enclosure                     | DP                      |
| Frame                         | 445T                    |
| Frame Material                | Iron                    |
| Frequency                     | 60.00 Hz                |
| Motor Letter Type             | Three Phase             |
| Output @ Frequency            | 200.000 HP @ 60 HZ      |
| Phase                         | 3                       |
| Synchronous Speed @ Frequency | 1800 RPM @ 60 HZ        |
| Voltage @ Frequency           | 460.0 V @ 60 HZ         |
| XP Class and Group            | None                    |
| XP Division                   | Not Applicable          |
| Agency Approvals              | CSA EEV<br>CCSA US      |
| Ambient Temperature           | 40 °C                   |
| Auxillary Box                 | No Auxillary Box        |
| Base Indicator                | Rigid                   |
| Bearing Grease Type           | Polyrex EM (-20F +300F) |
| Current @ Voltage             | 222.000 A @ 460.0 V     |
| Design Code                   | B                       |
| Drip Cover                    | No Drip Cover           |
| Duty Rating                   | CONT                    |
| Efficiency @ 100% Load        | 95.8 %                  |
| Feedback Device               | NO FEEDBACK             |
| Heater Indicator              | No Heater               |
| High Voltage Full Load Amps   | 222.0 a                 |
| Insulation Class              | F                       |
| Inverter Code                 | Inverter Ready          |
| KVA Code                      | F                       |
| Lifting Lugs                  | No Lifting Lugs         |
| Motor Lead Quantity/Wire Size | 6 @ 1 AWG               |
| Motor Standards               | NEMA                    |
| Motor Type                    | A44072M                 |

## Part detail

|              |            |
|--------------|------------|
| Revision     | G          |
| Type         | AC         |
| Mech. spec.  |            |
| Base         |            |
| Status       | PRD/A      |
| Elec. spec.  | A44WG1483  |
| Layout       | 616508-006 |
| Eff. date    | 02-24-2017 |
| CD Diagram   | 416820-008 |
| Poles        | 04         |
| Leads        | 6#1        |
| Proprietary  | False      |
| Created date | 10-19-2010 |

|                                 |                       |
|---------------------------------|-----------------------|
| <b>Mounting Arrangement</b>     | F1                    |
| <b>Number of Poles</b>          | 4                     |
| <b>Overall Length</b>           | 39.56 IN              |
| <b>Power Factor</b>             | 88                    |
| <b>Pulley End Bearing Type</b>  | Ball                  |
| <b>Pulley Face Code</b>         | C-Face                |
| <b>Service Factor</b>           | 1.15                  |
| <b>Shaft Diameter</b>           | 3.375 IN              |
| <b>Shaft Ground Indicator</b>   | No Shaft Grounding    |
| <b>Shaft Rotation</b>           | Reversible            |
| <b>Shaft Slinger Indicator</b>  | No Slinger            |
| <b>Speed</b>                    | 1785 rpm              |
| <b>Speed Code</b>               | Single Speed          |
| <b>Starting Method</b>          | Wye Start - Delta Run |
| <b>Thermal Device - Bearing</b> | None                  |
| <b>Thermal Device - Winding</b> | None                  |

**Nameplate**

**NP2377L**

|                          |            |                                |          |                              |      |                    |    |           |      |
|--------------------------|------------|--------------------------------|----------|------------------------------|------|--------------------|----|-----------|------|
| <b>CAT.NO.</b>           | EM2563T-4  | <b>SPEC NO.</b>                | P44G1774 |                              |      |                    |    |           |      |
| <b>HP</b>                | 200        | <b>AMPS</b>                    | 222      | <b>VOLTS</b>                 | 460  | <b>DESIGN</b>      | B  |           |      |
| <b>FRAME</b>             | 445T       | <b>RPM</b>                     | 1785     | <b>HZ</b>                    | 60   | <b>AMB</b>         | 40 | <b>SF</b> | 1.15 |
| <b>DRIVE END BEARING</b> | 90BC03J30X | <b>PHASE</b>                   | 3        | <b>DUTY</b>                  | CONT | <b>INSUL.CLASS</b> | F  |           |      |
| <b>OPP D.E. BEARING</b>  | 90BC03J30X | <b>TYPE</b>                    | P        | <b>ENCL</b>                  | DP   | <b>CODE</b>        | F  |           |      |
| <b>SER.NO.</b>           |            | <b>POWER FACTOR</b>            | 88       | <b>NEMA-NOM-EFFICIENCY</b>   | 95.8 |                    |    |           |      |
|                          |            | <b>MAX CORR KVAR</b>           | 35.0     | <b>GUARANTEED EFFICIENCY</b> | 95.4 |                    |    |           |      |
|                          |            | <b>NEMA NOM/CSA QUOTED EFF</b> |          |                              |      |                    |    |           |      |
|                          |            | <b>MOTOR WEIGHT</b>            | 1625     |                              |      |                    |    |           |      |

## Parts list

| Part number | Description                            | Quantity |
|-------------|--|----------|
| SA207133    | SA P44G1774                            | 1.000 ea |
| RA194400    | RA P44G1774                            | 1.000 ea |
| 000613006PU | N/P (RELEASE QTY 10,000) UL CSA LABEL  | 1.000 ea |
| 000692000VD | LABEL WARNING                          | 1.000 ea |
| NP2377L     | SS SUPER-E CC CSA-C US CSA-EEV (LASER) | 1.000 ea |
| 421948044   | LABEL, MYLAR                           | 1.000 ea |
| 004824015A  | GREASE POLYREX EM                      | 1.156 lb |
| 032018005AK | HHCS 1/4-20X5/8 PLATED                 | 4.000 ea |
| 032018028EK | HHCS 5/8-11X3-1/2L PLTD                | 4.000 ea |
| 032018036DK | HHCS 1/2-13X4-1/2 PLTD.                | 3.000 ea |
| 034000012AB | WSHR 1/4 STD. PLATED                   | 4.000 ea |
| 034017012AB | LCKW 1/4 STD. PLATED 034017012AF       | 4.000 ea |
| 034600001AA | BUSH 1/4TO1/8 BLACK                    | 1.000 ea |
| 035000001G  | GREASE RELIEF FITTING, ALEMITE 317400  | 1.000 ea |
| 089439051A  | BRKT 440 089439051WCB                  | 1.000 ea |
| 089439051A  | BRKT 440 089439051WCB                  | 1.000 ea |
| 410700004A  | WSHR                                   | 1.000 ea |
| 702611001A  | BAFFL 440 SUB PAINT                    | 1.000 ea |
| 032018005AK | HHCS 1/4-20X5/8 PLATED                 | 4.000 ea |
| 032018028EK | HHCS 5/8-11X3-1/2L PLTD                | 4.000 ea |
| 032018036DK | HHCS 1/2-13X4-1/2 PLTD.                | 3.000 ea |
| 034000012AB | WSHR 1/4 STD. PLATED                   | 4.000 ea |
| 034017012AB | LCKW 1/4 STD. PLATED 034017012AF       | 4.000 ea |
| 034600001AA | BUSH 1/4TO1/8 BLACK                    | 1.000 ea |
| 035000001G  | GREASE RELIEF FITTING, ALEMITE 317400  | 1.000 ea |
| 032018008BK | HHCS 5/16-18X1L PLATED                 | 4.000 ea |
| 032018008DK | HHCS 1/2-13X1 PLATED                   | 4.000 ea |
| 033512006LB | HHTTS 1/4-20X3/4 PLTD.                 | 1.000 ea |
| 035000001A  | ALFTG 1/8" 1610-BL                     | 1.000 ea |
| 035000001A  | ALFTG 1/8" 1610-BL                     | 1.000 ea |
| 048897010DJ | BUSH - 445                             | 1.000 ea |

|             |   |          |
|-------------|---|----------|
| 067053001C  | GASK 440                                | 1.000 ea |
| 076863000C  | +CBCST BLKT - 440                       | 1.000 ea |
| 076864000A  | CBCST BLKT - 440                        | 1.000 ea |
| 406056007A  | GASKET, 440                             | 1.000 ea |
| 415000103D  | T/LUG #4AWG-1/0AWG W/HOLE FOR .250 BOLT | 1.000 ea |
| 418150003A  | GREASE FITTING CAP                      | 1.000 ea |
| MG1025Y17   | WILKOFAS, 789.701, SUPER E PEARL GOLD   | 0.250 ga |
| 418150003A  | GREASE FITTING CAP                      | 1.000 ea |
| 415045002A  | SLGR                                    | 1.000 ea |
| 702611001A  | BAFFL 440 SUB PAINT                     | 1.000 ea |
| 033775004EA | DRSCR #6-1/4 304 S.S.                   | 2.000 ea |
| 034180054KA | 7/8 SQ X 6.75 KEY                       | 1.000 ea |
| PK5004A09   | BASE 48 X 39-1/4 STACK 2 X 4 RUNNER     | 1.000 ea |

616508-006

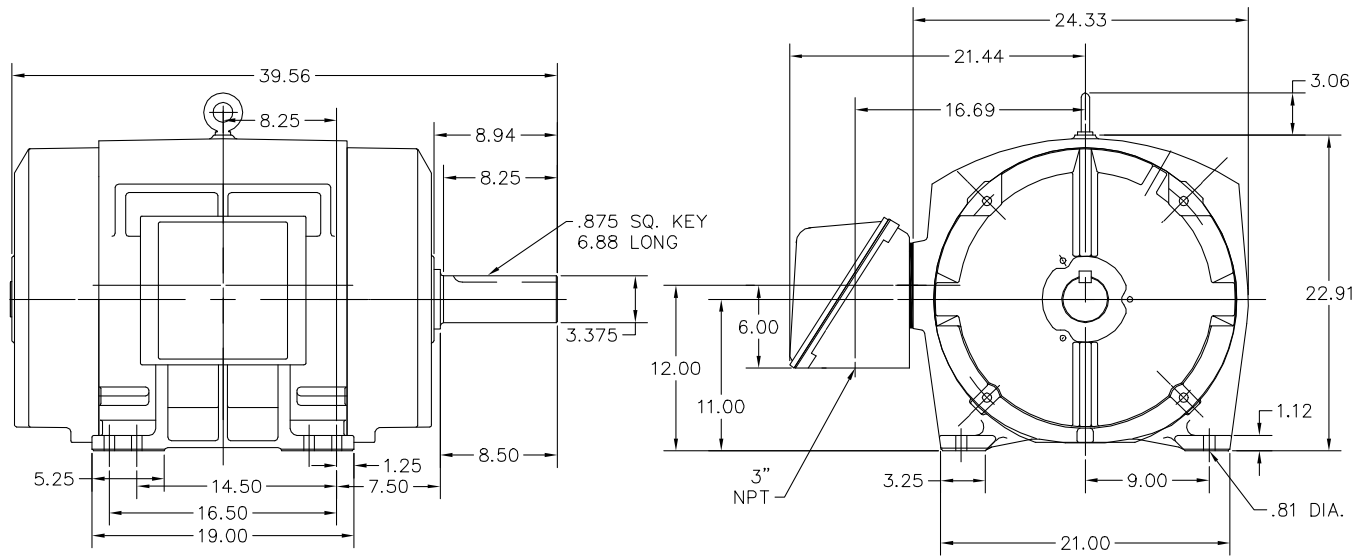
## DUTY MASTER ALTERNATING CURRENT MOTORS

SQUIRREL-CAGE INDUCTION

ENCLOSURE: PROTECTED  
MOUNTING: FOOT

COOLING: SELF-VENTILATED

FRAMES 444T THRU 445T



NOTES:  
SCALE DWG. FOR COMPLETE DIMENSIONS  
SEE DS 611750-501

FRAME- \_\_\_\_\_ TYPE- \_\_\_\_\_ CERTIFIED FOR- \_\_\_\_\_  
ORDER- \_\_\_\_\_ ITEM- \_\_\_\_\_ HP- \_\_\_\_\_ RPM- \_\_\_\_\_  
SALES ORDER- \_\_\_\_\_ APPROVED BY- \_\_\_\_\_ DATE- \_\_\_\_\_  
CUSTOMER IS RESPONSIBLE FOR DETERMINING THAT BALDOR'S PRODUCT WILL PERFORM SUITABLY IN THE INTENDED APPLICATION.

|                          |                                |                  |
|--------------------------|--------------------------------|------------------|
| REV. DESC: LOADED TO BUS |                                |                  |
| REV. LTR: A              | VERSION: 01                    | TDR: 00000557201 |
| FILE: \RAG\00010\520     | REVISED: 11: 22: 31 09/08/2010 | BY: RAGRA        |
| MTL: -                   |                                |                  |

**BALDOR**  
DIM SHT 444T-445T ODP FT  
SH 1 of 1

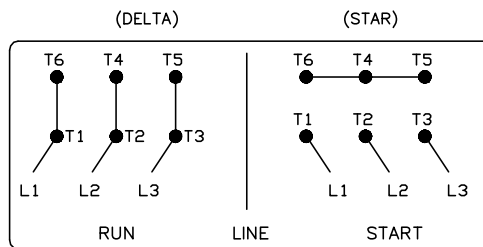
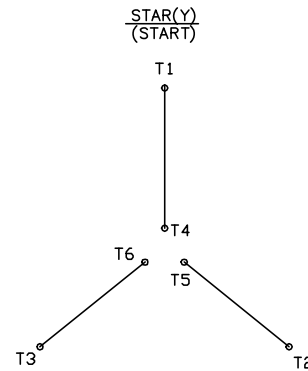
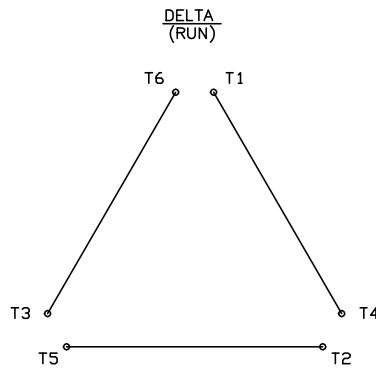
900-805016

416820-008

# A-C MOTOR CONNECTION DIAGRAM

STANDARD 6 LEAD

Y START - DELTA RUN



< N. P. 1767-DC >

REV. DESC: ADDED T4 TO Y CONNECT DIAGRAM

REV. LTR: D

VERSION: 04

TDR: 00000847713

FILE: \RAG\00001\808

REVISED: 10: 41: 26 04/08/2014

BY: RAGJSS1

MTL: -



**BALDOR**

CONNECT DIAGRAM STD 6 LEAD Y START DELTA RUN

SH 1 of 1

416820-008