

BALDOR • RELIANCE

Customer information packet

EM2565T-4

250HP, 3565RPM, 3PH, 60HZ, 445TS, DP, F1

Class - None

Division - Not Applicable

Copyright © All product information within this document is subject to ABB Motors and Mechanical Inc. copyright © protection, unless otherwise noted.

7/14/2022 6:21:24 PM

Specifications

Enclosure	DP
Frame	445TS
Frame Material	Iron
Frequency	60.00 Hz
Motor Letter Type	Three Phase
Output @ Frequency	250.000 HP @ 60 HZ
Phase	3
Synchronous Speed @ Frequency	3600 RPM @ 60 HZ
Voltage @ Frequency	460.0 V @ 60 HZ
XP Class and Group	None
XP Division	Not Applicable
Agency Approvals	CSA EEV CCSA US
Ambient Temperature	40 °C
Auxillary Box	No Auxillary Box
Base Indicator	Rigid
Bearing Grease Type	Polyrex EM (-20F +300F)
Current @ Voltage	274.000 A @ 460.0 V
Design Code	B
Drip Cover	No Drip Cover
Duty Rating	CONT
Efficiency @ 100% Load	95.4 %
Feedback Device	NO FEEDBACK
Heater Indicator	No Heater
High Voltage Full Load Amps	274.0 a
Insulation Class	F
Inverter Code	Inverter Ready
IP Rating	NONE
KVA Code	F
Lifting Lugs	Standard Lifting Lugs
Motor Lead Quantity/Wire Size	6 @ 1/0 AWG
Motor Standards	NEMA

Part detail

Revision	A
Type	AC
Mech. spec.	
Base	
Status	PRD/A
Elec. spec.	A44WG1392
Layout	611750-001
Eff. date	03-01-2017
CD Diagram	416820-008
Poles	02
Leads	6#1/0
Proprietary	False
Created date	04-24-2015

Motor Type	A44068M
Mounting Arrangement	F1
Number of Poles	2
Overall Length	35.81 IN
Power Factor	89
Product Family	General Industrial
Pulley End Bearing Type	Ball
Pulley Face Code	Standard
Service Factor	1.15
Shaft Diameter	2.375 IN
Shaft Ground Indicator	No Shaft Grounding
Shaft Rotation	Reversible
Shaft Slinger Indicator	No Slinger
Speed	3565 rpm
Speed Code	Single Speed
Starting Method	Wye Start - Delta Run
Thermal Device - Bearing	None
Thermal Device - Winding	None

Nameplate

NP2496L	
MOBIL POLYREX EM	

NP2349L

SPEC NO.	A44-7177-1392	CAT.NO.	EM2565T-4	FRAME	445TS
HP	250	VOLTS	460	PHASE	3
RPM	3565	AMPS	274	DESIGN	B
DRIVE END BEARING	65BC03J30X	DUTY	CONT	TYPE	P
OPP D.E. BEARING	65BC03J30X	INSUL.CLASS	F	HZ	60
SER.NO.		AMB	40	SF	1.15
		ENCL	DP	CODE	F
		POWER FACTOR	89	NEMA-NOM-EFFICIENCY	95.4
				MAX CORR KVAR	30
				GUARANTEED EFFICIENCY	94.5
				NEMA NOM/CSA QUOTED EFF	
				MOTOR WEIGHT	1539

Parts list

Part number	Description	Quantity
SA299617	SA A44-7177-1392	1.000 ea
RA286646	RA A44-7177-1392	1.000 ea
421948044	LABEL, MYLAR	1.000 ea
NP2496L	MOTOR LUBE NAMEPLATE	1.000 ea
000613006PU	N/P (RELEASE QTY 10,000) UL CSA LABEL	1.000 ea
000692000VD	LABEL WARNING	1.000 ea
NP2349L	SUPER-E ,SS, CSA, CSA SUPER-E	1.000 ea
702611001A	BAFFL 440 SUB PAINT	1.000 ea
089438082A	BRKT 440 089438081WCB	1.000 ea
004824015A	GREASE POLYREX EM	0.540 lb
032018028EK	HHCS 5/8-11X3-1/2L PLTD	4.000 ea
032018028CK	HHCS 3/8-16X3-1/2 PLTD.	3.000 ea
410700004F	WSHR	1.000 ea
035000001G	GREASE RELIEF FITTING, ALEMITE 317400	1.000 ea
035000001G	GREASE RELIEF FITTING, ALEMITE 317400	1.000 ea
034017012AB	LCKW 1/4 STD. PLATED 034017012AF	4.000 ea
405851012AB	SPACE	4.000 ea
032018006AK	HHCS 1/4-20X3/4L PLATED	4.000 ea
034000012AB	WSHR 1/4 STD. PLATED	4.000 ea
034600001AA	BUSH 1/4TO1/8 BLACK	1.000 ea
405851012AB	SPACE	4.000 ea
034017012AB	LCKW 1/4 STD. PLATED 034017012AF	4.000 ea
034600001AA	BUSH 1/4TO1/8 BLACK	1.000 ea
034000012AB	WSHR 1/4 STD. PLATED	4.000 ea
032018006AK	HHCS 1/4-20X3/4L PLATED	4.000 ea
089438082A	BRKT 440 089438081WCB	1.000 ea
702611001A	BAFFL 440 SUB PAINT	1.000 ea
032018028EK	HHCS 5/8-11X3-1/2L PLTD	4.000 ea
032018028CK	HHCS 3/8-16X3-1/2 PLTD.	3.000 ea
702658001A	CONDUIT BOX, E440	1.000 ea
702658002A	+C/BOX CVR, PAINTED 440	1.000 ea

406056008A	GASKET, TERBD 440	1.000 ea
418153001A	GASK 440	1.000 ea
418150003A	GREASE FITTING CAP	1.000 ea
MG1025Y17	WILKOFAS, 789.701, SUPER E PEARL GOLD	0.438 ga
032018008DK	HHCS 1/2-13X1 PLATED	4.000 ea
048897010DG	PLUG,ODE BRKT - 360	1.000 ea
048977006J	GRFTG - 440	1.000 ea
035000001A	ALFTG 1/8" 1610-BL	1.000 ea
415000103D	T/LUG #4AWG-1/0AWG W/HOLE FOR .250 BOLT	1.000 ea
033512006LB	HHTTS 1/4-20X3/4 PLTD.	8.000 ea
033512004LB	HHTTS 1/4-20X1/2 PLTD.	1.000 ea
035000001A	ALFTG 1/8" 1610-BL	1.000 ea
418150003A	GREASE FITTING CAP	1.000 ea
033775004EA	DRSCR #6-1/4 304 S.S.	2.000 ea
034180024HA	KEY 5/8X5/8X3 L	1.000 ea
604797045	STD. 400 FRAME SKID	1.000 ea
032510024D	CARRIAGE BOLT - 444	2.000 ea
034001016AB	WSHR .562ID 1.375OD .109	2.000 ea
034001014AB	FLAT WASHER 3/8"PLATED	2.000 ea
033300014AC	HEX NUT, SHIPPING - 400	2.000 ea
604799003C	PLASTIC BAG 42X32X46	1.000 ea

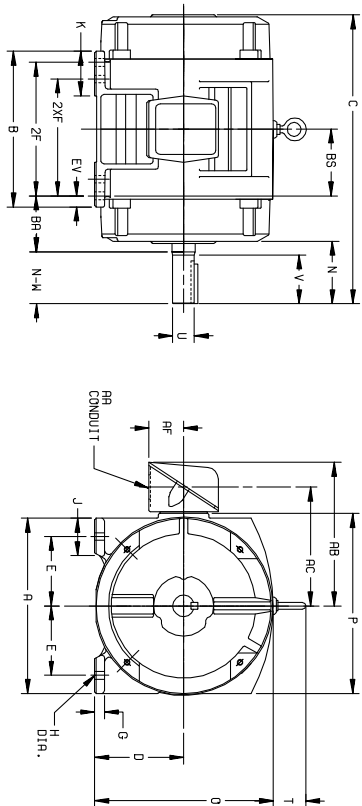
DUTY MASTER ALTERNATING CURRENT MOTORS

ENCLOSURE: PROTECTED
MOUNTING: FOOT

SQUIREL-CAGE INDUCTION

COOLING: SELF-VENTILATED


FRAMES 250T THRU 440T



DIMENSIONS ARE IN INCHES

FRAME	A	D(2)	E	C	H	J	K	O	P	T	STEEL TERMINAL BOX						WEIGHT
											AA	AB	AC	AD	AE	BA	EV
254-258T	12.30	6.25	5.00	.69	.58	2.25	3.50	12.61	12.69	2.44	1-1/4	10.19	8.19	2.50	4.25	.62	
284T	14.00	7.00	5.50	.75	.56	2.75	3.75	14.12	14.31	2.44	1-1/2	12.19	9.44	3.19	4.25	1.00	
324-326TS	15.75	8.00	6.25	.88	.69	3.12	4.00	16.10	16.42	2.44	2	14.25	10.75	4.25	5.25	1.00	
364T-365TS	17.00	9.00	7.00	.88	.69	3.00	3.62	18.30	19.56	2.94	3	18.06	14.00	5.38	5.88	1.00	
404T-405TS	19.00	10.00	8.00	1.12	.81	3.25	4.75	20.56	21.81	2.94	3	19.06	15.00	4.38	6.62	1.12	
444T-445TS	21.00	11.00	9.00	1.12	.81	3.25	5.25	22.91	23.62	3.25	3	22.62	17.38	5.50	7.50	1.25	

FRAME	C	BS	B	2F	(4)	N	(N-W)(6)	(3)	SHAFT AND KEY	5/8	3/4	7/8	1	1 1/8	1 1/4	1 1/2	1 3/4	2	2 1/2	3	3 1/2	4	4 1/2	5	5 1/2	6	6 1/2	7	7 1/2	8	8 1/2	9	9 1/2	10	10 1/2	11	11 1/2	12	12 1/2	13	13 1/2	14	14 1/2	15	15 1/2	16	16 1/2	17	17 1/2	18	18 1/2	19	19 1/2	20	20 1/2	21	21 1/2	22	22 1/2	23	23 1/2	24	24 1/2	25	25 1/2	26	26 1/2	27	27 1/2	28	28 1/2	29	29 1/2	30	30 1/2	31	31 1/2	32	32 1/2	33	33 1/2	34	34 1/2	35	35 1/2	36	36 1/2	37	37 1/2	38	38 1/2	39	39 1/2	40	40 1/2	41	41 1/2	42	42 1/2	43	43 1/2	44	44 1/2	45	45 1/2	46	46 1/2	47	47 1/2	48	48 1/2	49	49 1/2	50	50 1/2	51	51 1/2	52	52 1/2	53	53 1/2	54	54 1/2	55	55 1/2	56	56 1/2	57	57 1/2	58	58 1/2	59	59 1/2	60	60 1/2	61	61 1/2	62	62 1/2	63	63 1/2	64	64 1/2	65	65 1/2	66	66 1/2	67	67 1/2	68	68 1/2	69	69 1/2	70	70 1/2	71	71 1/2	72	72 1/2	73	73 1/2	74	74 1/2	75	75 1/2	76	76 1/2	77	77 1/2	78	78 1/2	79	79 1/2	80	80 1/2	81	81 1/2	82	82 1/2	83	83 1/2	84	84 1/2	85	85 1/2	86	86 1/2	87	87 1/2	88	88 1/2	89	89 1/2	90	90 1/2	91	91 1/2	92	92 1/2	93	93 1/2	94	94 1/2	95	95 1/2	96	96 1/2	97	97 1/2	98	98 1/2	99	99 1/2	100	100 1/2	101	101 1/2	102	102 1/2	103	103 1/2	104	104 1/2	105	105 1/2	106	106 1/2	107	107 1/2	108	108 1/2	109	109 1/2	110	110 1/2	111	111 1/2	112	112 1/2	113	113 1/2	114	114 1/2	115	115 1/2	116	116 1/2	117	117 1/2	118	118 1/2	119	119 1/2	120	120 1/2	121	121 1/2	122	122 1/2	123	123 1/2	124	124 1/2	125	125 1/2	126	126 1/2	127	127 1/2	128	128 1/2	129	129 1/2	130	130 1/2	131	131 1/2	132	132 1/2	133	133 1/2	134	134 1/2	135	135 1/2	136	136 1/2	137	137 1/2	138	138 1/2	139	139 1/2	140	140 1/2	141	141 1/2	142	142 1/2	143	143 1/2	144	144 1/2	145	145 1/2	146	146 1/2	147	147 1/2	148	148 1/2	149	149 1/2	150	150 1/2	151	151 1/2	152	152 1/2	153	153 1/2	154	154 1/2	155	155 1/2	156	156 1/2	157	157 1/2	158	158 1/2	159	159 1/2	160	160 1/2	161	161 1/2	162	162 1/2	163	163 1/2	164	164 1/2	165	165 1/2	166	166 1/2	167	167 1/2	168	168 1/2	169	169 1/2	170	170 1/2	171	171 1/2	172	172 1/2	173	173 1/2	174	174 1/2	175	175 1/2	176	176 1/2	177	177 1/2	178	178 1/2	179	179 1/2	180	180 1/2	181	181 1/2	182	182 1/2	183	183 1/2	184	184 1/2	185	185 1/2	186	186 1/2	187	187 1/2	188	188 1/2	189	189 1/2	190	190 1/2	191	191 1/2	192	192 1/2	193	193 1/2	194	194 1/2	195	195 1/2	196	196 1/2	197	197 1/2	198	198 1/2	199	199 1/2	200	200 1/2	201	201 1/2	202	202 1/2	203	203 1/2	204	204 1/2	205	205 1/2	206	206 1/2	207	207 1/2	208	208 1/2	209	209 1/2	210	210 1/2	211	211 1/2	212	212 1/2	213	213 1/2	214	214 1/2	215	215 1/2	216	216 1/2	217	217 1/2	218	218 1/2	219	219 1/2	220	220 1/2	221	221 1/2	222	222 1/2	223	223 1/2	224	224 1/2	225	225 1/2	226	226 1/2	227	227 1/2	228	228 1/2	229	229 1/2	230	230 1/2	231	231 1/2	232	232 1/2	233	233 1/2	234	234 1/2	235	235 1/2	236	236 1/2	237	237 1/2	238	238 1/2	239	239 1/2	240	240 1/2	241	241 1/2	242	242 1/2	243	243 1/2	244	244 1/2	245	245 1/2	246	246 1/2	247	247 1/2	248	248 1/2	249	249 1/2	250	250 1/2	251	251 1/2	252	252 1/2	253	253 1/2	254	254 1/2	255	255 1/2	256	256 1/2	257	257 1/2	258	258 1/2	259	259 1/2	260	260 1/2	261	261 1/2	262	262 1/2	263	263 1/2	264	264 1/2	265	265 1/2	266	266 1/2	267	267 1/2	268	268 1/2	269	269 1/2	270	270 1/2	271	271 1/2	272	272 1/2	273	273 1/2	274	274 1/2	275	275 1/2	276	276 1/2	277	277 1/2	278	278 1/2	279	279 1/2	280	280 1/2	281	281 1/2	282	282 1/2	283	283 1/2	284	284 1/2	285	285 1/2	286	286 1/2	287	287 1/2	288	288 1/2	289	289 1/2	290	290 1/2	291	291 1/2	292	292 1/2	293	293 1/2	294	294 1/2	295	295 1/2	296	296 1/2	297	297 1/2	298	298 1/2	299	299 1/2	300	300 1/2	301	301 1/2	302	302 1/2	303	303 1/2	304	304 1/2	305	305 1/2	306	306 1/2	307	307 1/2	308	308 1/2	309	309 1/2	310	310 1/2	311	311 1/2	312	312 1/2	313	313 1/2	314	314 1/2	315	315 1/2	316	316 1/2	317	317 1/2	318	318 1/2	319	319 1/2	320	320 1/2	321	321 1/2	322	322 1/2	323	323 1/2	324	324 1/2	325	325 1/2	326	326 1/2	327	327 1/2	328	328 1/2	329	329 1/2	330	330 1/2	331	331 1/2	332	332 1/2	333	333 1/2	334	334 1/2	335	335 1/2	336	336 1/2	337	337 1/2	338	338 1/2	339	339 1/2	340	340 1/2	341	341 1/2	342	342 1/2	343	343 1/2	344	344 1/2	345	345 1/2	346	346 1/2	347	347 1/2	348	348 1/2	349	349 1/2	350	350 1/2	351	351 1/2	352	352 1/2	353	353 1/2	354	354 1/2	355	355 1/2	356	356 1/2	357	357 1/2	358	358 1/2	359	359 1/2	360	360 1/2	361	361 1/2	362	362 1/2	363	363 1/2	364	364 1/2	365	365 1/2	366	366 1/2	367	367 1/2	368	368 1/2	369	369 1/2	370	370 1/2	371	371 1/2	372	372 1/2	373	373 1/2	374	374 1/2	375	375 1/2	376	376 1/2	377	377 1/2	378	378 1/2	379	379 1/2	380	380 1/2	381	381 1/2	382	382 1/2	383	383 1/2	384	384 1/2	385	385 1/2	386	386 1/2	387	387 1/2	388	388 1/2	389	389 1/2	390	390 1/2	391	391 1/2	392	392 1/2	393	393 1/2	394	394 1/2	395	395 1/2	396	396 1/2	397	397 1/2	398	398 1/2	399	399 1/2	400	400 1/2	401	401 1/2	402	402 1/2	403	403 1/2	404	404 1/2	405	405 1/2	406	406 1/2	407	407 1/2	408	408 1/2	409	409 1/2	410	410 1/2	411	411 1/2	412	412 1/2	413	413 1/2	414	414 1/2	415	415 1/2	416	416 1/2	417	417 1/2	418	418 1/2	419	419 1/2	420	420 1/2	421	421 1/2	422	422 1/2	423	423 1/2	424	424 1/2	425	425 1/2	426	426 1/2	427	427 1/2	428	428 1/2	429	429 1/2	430	430 1/2	431	431 1/2	432	432 1/2	433	433 1/2	434	434 1/2	435	435 1/2	436	436 1/2	437	437 1/2	438	438 1/2	439	439 1/2	440	440 1/2	441	441 1/2	442	442 1/2	443	443 1/2	444	444 1/2	445	445 1/2	446	446 1/2	447	447 1/2	448	448 1/2	449	449 1/2	450	450 1/2	451	451 1/2	452	452 1/2	453	453 1/2	454	454 1/2	455	455 1/2	456	456 1/2	457	457 1/2	458	458 1/2	459	459 1/2	460	460 1/2	461	461 1/2	462	462 1/2	463	463 1/2	464	464 1/2	465	465 1/2	466	466 1/2	467	467 1/2	468	468 1/2	469	469 1/2	470	470 1/2	471	471 1/2	472	472 1/2	473	473 1/2	474	47
-------	---	----	---	----	-----	---	----------	-----	---------------	-----	-----	-----	---	-------	-------	-------	-------	---	-------	---	-------	---	-------	---	-------	---	-------	---	-------	---	-------	---	-------	----	--------	----	--------	----	--------	----	--------	----	--------	----	--------	----	--------	----	--------	----	--------	----	--------	----	--------	----	--------	----	--------	----	--------	----	--------	----	--------	----	--------	----	--------	----	--------	----	--------	----	--------	----	--------	----	--------	----	--------	----	--------	----	--------	----	--------	----	--------	----	--------	----	--------	----	--------	----	--------	----	--------	----	--------	----	--------	----	--------	----	--------	----	--------	----	--------	----	--------	----	--------	----	--------	----	--------	----	--------	----	--------	----	--------	----	--------	----	--------	----	--------	----	--------	----	--------	----	--------	----	--------	----	--------	----	--------	----	--------	----	--------	----	--------	----	--------	----	--------	----	--------	----	--------	----	--------	----	--------	----	--------	----	--------	----	--------	----	--------	----	--------	----	--------	----	--------	----	--------	----	--------	----	--------	----	--------	----	--------	----	--------	----	--------	----	--------	----	--------	----	--------	----	--------	----	--------	----	--------	----	--------	----	--------	----	--------	----	--------	----	--------	----	--------	-----	---------	-----	---------	-----	---------	-----	---------	-----	---------	-----	---------	-----	---------	-----	---------	-----	---------	-----	---------	-----	---------	-----	---------	-----	---------	-----	---------	-----	---------	-----	---------	-----	---------	-----	---------	-----	---------	-----	---------	-----	---------	-----	---------	-----	---------	-----	---------	-----	---------	-----	---------	-----	---------	-----	---------	-----	---------	-----	---------	-----	---------	-----	---------	-----	---------	-----	---------	-----	---------	-----	---------	-----	---------	-----	---------	-----	---------	-----	---------	-----	---------	-----	---------	-----	---------	-----	---------	-----	---------	-----	---------	-----	---------	-----	---------	-----	---------	-----	---------	-----	---------	-----	---------	-----	---------	-----	---------	-----	---------	-----	---------	-----	---------	-----	---------	-----	---------	-----	---------	-----	---------	-----	---------	-----	---------	-----	---------	-----	---------	-----	---------	-----	---------	-----	---------	-----	---------	-----	---------	-----	---------	-----	---------	-----	---------	-----	---------	-----	---------	-----	---------	-----	---------	-----	---------	-----	---------	-----	---------	-----	---------	-----	---------	-----	---------	-----	---------	-----	---------	-----	---------	-----	---------	-----	---------	-----	---------	-----	---------	-----	---------	-----	---------	-----	---------	-----	---------	-----	---------	-----	---------	-----	---------	-----	---------	-----	---------	-----	---------	-----	---------	-----	---------	-----	---------	-----	---------	-----	---------	-----	---------	-----	---------	-----	---------	-----	---------	-----	---------	-----	---------	-----	---------	-----	---------	-----	---------	-----	---------	-----	---------	-----	---------	-----	---------	-----	---------	-----	---------	-----	---------	-----	---------	-----	---------	-----	---------	-----	---------	-----	---------	-----	---------	-----	---------	-----	---------	-----	---------	-----	---------	-----	---------	-----	---------	-----	---------	-----	---------	-----	---------	-----	---------	-----	---------	-----	---------	-----	---------	-----	---------	-----	---------	-----	---------	-----	---------	-----	---------	-----	---------	-----	---------	-----	---------	-----	---------	-----	---------	-----	---------	-----	---------	-----	---------	-----	---------	-----	---------	-----	---------	-----	---------	-----	---------	-----	---------	-----	---------	-----	---------	-----	---------	-----	---------	-----	---------	-----	---------	-----	---------	-----	---------	-----	---------	-----	---------	-----	---------	-----	---------	-----	---------	-----	---------	-----	---------	-----	---------	-----	---------	-----	---------	-----	---------	-----	---------	-----	---------	-----	---------	-----	---------	-----	---------	-----	---------	-----	---------	-----	---------	-----	---------	-----	---------	-----	---------	-----	---------	-----	---------	-----	---------	-----	---------	-----	---------	-----	---------	-----	---------	-----	---------	-----	---------	-----	---------	-----	---------	-----	---------	-----	---------	-----	---------	-----	---------	-----	---------	-----	---------	-----	---------	-----	---------	-----	---------	-----	---------	-----	---------	-----	---------	-----	---------	-----	---------	-----	---------	-----	---------	-----	---------	-----	---------	-----	---------	-----	---------	-----	---------	-----	---------	-----	---------	-----	---------	-----	---------	-----	---------	-----	---------	-----	---------	-----	---------	-----	---------	-----	---------	-----	---------	-----	---------	-----	---------	-----	---------	-----	---------	-----	---------	-----	---------	-----	---------	-----	---------	-----	---------	-----	---------	-----	---------	-----	---------	-----	---------	-----	---------	-----	---------	-----	---------	-----	---------	-----	---------	-----	---------	-----	---------	-----	---------	-----	---------	-----	---------	-----	---------	-----	---------	-----	---------	-----	---------	-----	---------	-----	---------	-----	---------	-----	---------	-----	---------	-----	---------	-----	---------	-----	---------	-----	---------	-----	---------	-----	---------	-----	---------	-----	---------	-----	---------	-----	---------	-----	---------	-----	---------	-----	---------	-----	---------	-----	---------	-----	---------	-----	---------	-----	---------	-----	---------	-----	---------	-----	---------	-----	---------	-----	---------	-----	---------	-----	---------	-----	---------	-----	---------	-----	---------	-----	---------	-----	---------	-----	---------	-----	---------	-----	---------	-----	---------	-----	---------	-----	---------	-----	---------	-----	---------	-----	---------	-----	---------	-----	---------	-----	---------	-----	---------	-----	---------	-----	---------	-----	---------	-----	---------	-----	---------	-----	---------	-----	---------	-----	---------	-----	---------	-----	---------	-----	---------	-----	---------	-----	---------	-----	---------	-----	---------	-----	---------	-----	---------	-----	---------	-----	---------	-----	---------	-----	---------	-----	---------	-----	---------	-----	---------	-----	---------	-----	---------	-----	---------	-----	---------	-----	---------	-----	---------	-----	---------	-----	---------	-----	---------	-----	---------	-----	---------	-----	---------	-----	---------	-----	---------	-----	---------	-----	---------	-----	---------	-----	---------	-----	---------	-----	---------	-----	---------	-----	---------	-----	---------	-----	---------	-----	---------	-----	---------	-----	---------	-----	---------	-----	---------	-----	---------	-----	---------	-----	---------	-----	---------	-----	---------	-----	---------	-----	---------	-----	---------	-----	---------	-----	---------	-----	---------	-----	---------	-----	---------	-----	---------	-----	----

SHAFT-BLK	Sample- <u>BLK</u>	Diameter AP	Sequence # 0000001 A	Material Spec BLKAP0000001A																																																																																																																																											
	<table border="1" style="width: 100%; border-collapse: collapse;"> <thead> <tr> <th style="width: 10%;">Diameter</th> <th style="width: 10%;">Code</th> <th style="width: 10%;">Sequence #</th> <th style="width: 40%;">Material Spec</th> <th style="width: 10%;">Code</th> </tr> </thead> <tbody> <tr><td>1.5</td><td>AA</td><td>XXXXXXX</td><td>046024-</td><td></td></tr> <tr><td>1.625</td><td>AB</td><td></td><td>FS CL1</td><td>A</td></tr> <tr><td>1.75</td><td>AC</td><td></td><td>FS CL2</td><td>B</td></tr> <tr><td>2</td><td>AD</td><td></td><td>AHS</td><td>C</td></tr> <tr><td>2.0625</td><td>AE</td><td></td><td>Z</td><td>D</td></tr> <tr><td>2.125</td><td>AF</td><td></td><td>NZ</td><td>E</td></tr> <tr><td>2.25</td><td>AG</td><td></td><td>GK</td><td>F</td></tr> <tr><td>2.5</td><td>AH</td><td></td><td>KA</td><td>G</td></tr> <tr><td>2.5625</td><td>AJ</td><td></td><td>APR CLVIII</td><td>J</td></tr> <tr><td>2.625</td><td>AK</td><td></td><td>LK</td><td>K</td></tr> <tr><td>2.75</td><td>AL</td><td></td><td>FS CL4</td><td>L</td></tr> <tr><td>3</td><td>AM</td><td></td><td>AAJ</td><td>M</td></tr> <tr><td>3.125</td><td>AN</td><td></td><td>HV</td><td>N</td></tr> <tr><td>3.25</td><td>AP</td><td></td><td>TB</td><td>P</td></tr> <tr><td>3.375</td><td>AQ</td><td></td><td>MR3008D38</td><td>Q</td></tr> <tr><td>3.5</td><td>AR</td><td></td><td>MU3000C75</td><td>R</td></tr> <tr><td>3.75</td><td>AS</td><td></td><td>MU3000D38</td><td>S</td></tr> <tr><td>3.875</td><td>AT</td><td></td><td>MU3002D12</td><td>T</td></tr> <tr><td>4.25</td><td>AU</td><td></td><td>MU3002D75</td><td>V</td></tr> <tr><td>4.5</td><td>AV</td><td></td><td>MU3003E75</td><td>W</td></tr> <tr><td>4.75</td><td>AW</td><td></td><td>MU3007D00</td><td>X</td></tr> <tr><td>5</td><td>AX</td><td></td><td></td><td></td></tr> <tr><td>5.25</td><td>AY</td><td></td><td></td><td></td></tr> <tr><td>5.5</td><td>AZ</td><td></td><td></td><td></td></tr> <tr><td>5.75</td><td>BA</td><td></td><td></td><td></td></tr> <tr><td>6.5</td><td>BB</td><td></td><td></td><td></td></tr> <tr><td>7.75</td><td>BC</td><td></td><td></td><td></td></tr> </tbody> </table>				Diameter	Code	Sequence #	Material Spec	Code	1.5	AA	XXXXXXX	046024-		1.625	AB		FS CL1	A	1.75	AC		FS CL2	B	2	AD		AHS	C	2.0625	AE		Z	D	2.125	AF		NZ	E	2.25	AG		GK	F	2.5	AH		KA	G	2.5625	AJ		APR CLVIII	J	2.625	AK		LK	K	2.75	AL		FS CL4	L	3	AM		AAJ	M	3.125	AN		HV	N	3.25	AP		TB	P	3.375	AQ		MR3008D38	Q	3.5	AR		MU3000C75	R	3.75	AS		MU3000D38	S	3.875	AT		MU3002D12	T	4.25	AU		MU3002D75	V	4.5	AV		MU3003E75	W	4.75	AW		MU3007D00	X	5	AX				5.25	AY				5.5	AZ				5.75	BA				6.5	BB				7.75	BC		
Diameter	Code	Sequence #	Material Spec	Code																																																																																																																																											
1.5	AA	XXXXXXX	046024-																																																																																																																																												
1.625	AB		FS CL1	A																																																																																																																																											
1.75	AC		FS CL2	B																																																																																																																																											
2	AD		AHS	C																																																																																																																																											
2.0625	AE		Z	D																																																																																																																																											
2.125	AF		NZ	E																																																																																																																																											
2.25	AG		GK	F																																																																																																																																											
2.5	AH		KA	G																																																																																																																																											
2.5625	AJ		APR CLVIII	J																																																																																																																																											
2.625	AK		LK	K																																																																																																																																											
2.75	AL		FS CL4	L																																																																																																																																											
3	AM		AAJ	M																																																																																																																																											
3.125	AN		HV	N																																																																																																																																											
3.25	AP		TB	P																																																																																																																																											
3.375	AQ		MR3008D38	Q																																																																																																																																											
3.5	AR		MU3000C75	R																																																																																																																																											
3.75	AS		MU3000D38	S																																																																																																																																											
3.875	AT		MU3002D12	T																																																																																																																																											
4.25	AU		MU3002D75	V																																																																																																																																											
4.5	AV		MU3003E75	W																																																																																																																																											
4.75	AW		MU3007D00	X																																																																																																																																											
5	AX																																																																																																																																														
5.25	AY																																																																																																																																														
5.5	AZ																																																																																																																																														
5.75	BA																																																																																																																																														
6.5	BB																																																																																																																																														
7.75	BC																																																																																																																																														
NOTE: DIMENSION ARE IN INCHES																																																																																																																																															
		REV. DESC: NEW - LOAD TO BUS		TDR:1061922																																																																																																																																											
REV: -		REVISED: 2/22/2018	BY: RAGJSS1																																																																																																																																												
		SHAFT BLANK PART NUMBER ASSIGNMENT																																																																																																																																													
				 <small>A MEMBER OF THE ABB GROUP</small>																																																																																																																																											

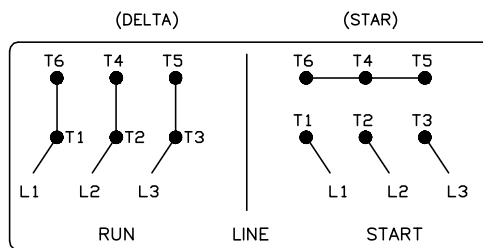
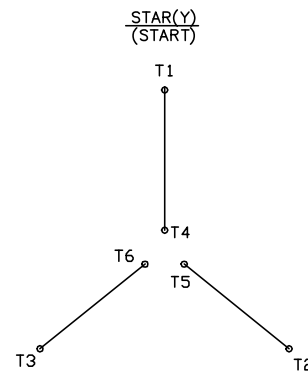
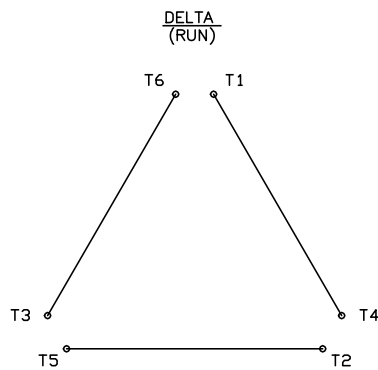
SHAFT-BLK

416820-008

A-C MOTOR CONNECTION DIAGRAM

STANDARD 6 LEAD

Y START - DELTA RUN



< N. P. 1767-DC >

REV. DESC: ADDED T4 TO Y CONNECT DIAGRAM		
REV. LTR: D	VERSION: 04	TDR: 00000847713
FILE: \RAG\00001\808	REVISED: 10:41:26 04/08/2014	BY: RAGJSS1
MTL: -	© □	

BALDOR

CONNECT DIAGRAM STD 6 LEAD Y START DELTA RUN

SH 1 of 1

416820-008