



Customer information packet

EM25694T-4

300HP, 1785RPM, 3PH, 60HZ, 449T, DP, F1

Class - None

Division - Not Applicable

Specifications

Enclosure	DP
Frame	449T
Frame Material	Iron
Frequency	60.00 Hz
Motor Letter Type	Three Phase
Output @ Frequency	300.000 HP @ 60 HZ
Phase	3
Synchronous Speed @ Frequency	1800 RPM @ 60 HZ
Voltage @ Frequency	460.0 V @ 60 HZ
XP Class and Group	None
XP Division	Not Applicable
Agency Approvals	CSA EEV CCSA US
Ambient Temperature	40 °C
Auxillary Box	No Auxillary Box
Base Indicator	Rigid
Bearing Grease Type	Polyrex EM (-20F +300F)
Current @ Voltage	331.000 A @ 460.0 V
Design Code	B
Drip Cover	No Drip Cover
Duty Rating	CONT
Efficiency @ 100% Load	95.8 %
Feedback Device	NO FEEDBACK
Heater Indicator	No Heater
High Voltage Full Load Amps	331.0 a
Insulation Class	F
Inverter Code	Inverter Ready
IP Rating	NONE
KVA Code	G
Lifting Lugs	Standard Lifting Lugs
Motor Lead Quantity/Wire Size	6 @ 2/0 AWG
Motor Standards	NEMA

Part detail

Revision	A
Type	AC
Mech. spec.	
Base	
Status	PRD/A
Elec. spec.	A44WG4249
Layout	604989-380
Eff. date	03-01-2017
CD Diagram	416820-008
Poles	04
Leads	6#2/0
Proprietary	False
Created date	04-29-2015

Motor Type	A44112M
Mounting Arrangement	F1
Number of Poles	4
Overall Length	48.06 IN
Power Factor	88
Product Family	General Industrial
Pulley End Bearing Type	Ball
Pulley Face Code	Standard
Service Factor	1.15
Shaft Diameter	3.375 IN
Shaft Ground Indicator	No Shaft Grounding
Shaft Rotation	Reversible
Shaft Slinger Indicator	No Slinger
Speed	1785 rpm
Speed Code	Single Speed
Starting Method	Wye Start - Delta Run
Thermal Device - Bearing	None
Thermal Device - Winding	None

Nameplate

NP2496L	
MOBIL POLYREX EM	

NP2349L

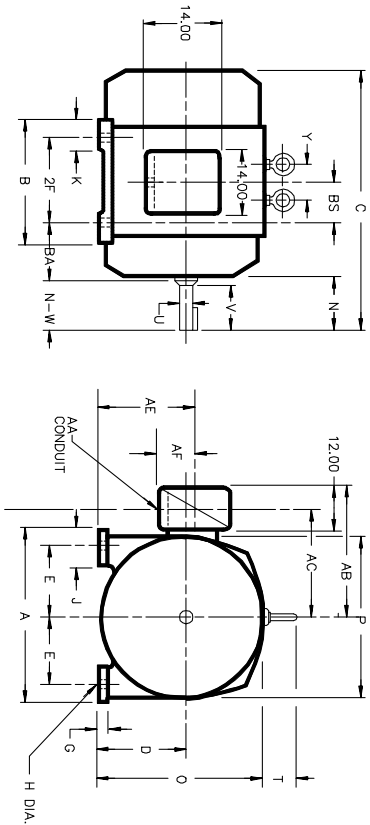
SPEC NO.	A44-7189-4249	CAT.NO.	EM25694T-4	FRAME	449T
HP	300	VOLTS	460	PHASE	3
		DESIGN	B	TYPE	P
RPM	1785	AMPS	331	HZ	60
		AMB	40	SF	1.15
DRIVE END BEARING	90BC03J30X	DUTY	CONT	INSUL.CLASS	F
OPP D.E. BEARING	90BC03J30X	ENCL	DP	CODE	G
SER.NO.		POWER FACTOR	88	NEMA-NOM-EFFICIENCY	95.8
		MAX CORR KVAR	59.9	GUARANTEED EFFICIENCY	95
		NEMA NOM/CSA QUOTED EFF			
		MOTOR WEIGHT	2151		

Parts list

Part number	Description	Quantity
SA299797	SA A44-7189-4249	1.000 ea
RA286825	RA A44-7189-4249	1.000 ea
421948044	LABEL, MYLAR	1.000 ea
NP2496L	MOTOR LUBE NAMEPLATE	1.000 ea
000613006PU	N/P (RELEASE QTY 10,000) UL CSA LABEL	1.000 ea
000692000FF	N/P	1.000 ea
000692000VD	LABEL WARNING	1.000 ea
NP2349L	SUPER-E ,SS, CSA, CSA SUPER-E	1.000 ea
702611001A	BAFFL 440 SUB PAINT	1.000 ea
089439051A	BRKT 440 089439051WCB	1.000 ea
004824015A	GREASE POLYREX EM	1.160 lb
032018028EK	HHCS 5/8-11X3-1/2L PLTD	4.000 ea
032018036DK	HHCS 1/2-13X4-1/2 PLTD.	3.000 ea
410700004A	WSHR	1.000 ea
035000001G	GREASE RELIEF FITTING, ALEMITE 317400	1.000 ea
034017012AB	LCKW 1/4 STD. PLATED 034017012AF	4.000 ea
405851012AB	SPACE	4.000 ea
032018006AK	HHCS 1/4-20X3/4L PLATED	4.000 ea
034000012AB	WSHR 1/4 STD. PLATED	4.000 ea
034600001AA	BUSH 1/4TO1/8 BLACK	1.000 ea
418151014G	RETAIN RING	1.000 ea
405851012AB	SPACE	4.000 ea
034017012AB	LCKW 1/4 STD. PLATED 034017012AF	4.000 ea
034600001AA	BUSH 1/4TO1/8 BLACK	1.000 ea
034000012AB	WSHR 1/4 STD. PLATED	4.000 ea
032018006AK	HHCS 1/4-20X3/4L PLATED	4.000 ea
089439051A	BRKT 440 089439051WCB	1.000 ea
702611001A	BAFFL 440 SUB PAINT	1.000 ea
032018028EK	HHCS 5/8-11X3-1/2L PLTD	4.000 ea
032018036DK	HHCS 1/2-13X4-1/2 PLTD.	3.000 ea
035000001G	GREASE RELIEF FITTING, ALEMITE 317400	1.000 ea

406056008A	GASKET, TERBD 440	1.000 ea
418150003A	GREASE FITTING CAP	1.000 ea
MG1025Y17	WILKOFAST, 789.701, SUPER E PEARL GOLD	0.500 ga
032018008DK	HHCS 1/2-13X1 PLATED	4.000 ea
048897010DJ	BUSH - 445	1.000 ea
702616012T	CONDUIT BOX	1.000 ea
035000001A	ALFTG 1/8" 1610-BL	1.000 ea
035000001A	ALFTG 1/8" 1610-BL	1.000 ea
418150003A	GREASE FITTING CAP	1.000 ea
033775004EA	DRSCR #6-1/4 304 S.S.	2.000 ea
034180054KA	7/8 SQ X 6.75 KEY	1.000 ea
604797056	400-447 FRAME 60 X 42	1.000 ea
032510026D	CARRIAGE BOLT - 440	2.000 ea
034001014AB	FLAT WASHER 3/8"PLATED	2.000 ea
034001016AB	WSHR .562ID 1.375OD .109	2.000 ea
033300014AC	HEX NUT, SHIPPING - 400	2.000 ea
604799003C	PLASTIC BAG 42X32X46	1.000 ea

DUTY MASTER ALTERNATING CURRENT MOTORS
 ENCLOSURE: PROTECTED SQUIRREL-CAGE INDUCTION COOLING: SELF-VENTILATED
 TOTALLY ENCLOSED NON-VENTILATED
 MOUNTING: FOOT
 FRAMES 445T THRU 449TS ABOVE NEMA RATINGS
 WITH SPECIAL CONDUIT BOX



DIMENSIONS ARE IN INCHES

FRAME	A	B(D)	E	G	H	J	O	P	BA	K	T	Y (4)
445T	21.00	11.00	9.00	1.12	.81	3.25	33.62	24.25	7.50	3.25	3.25	---
445TS	21.00	11.00	9.00	1.12	.81	3.25	33.62	24.25	7.50	3.25	3.25	---
447S	21.00	11.00	9.00	1.12	.81	3.25	34.25	24.25	7.50	3.25	4.25	5.00
447TS	21.00	11.00	9.00	1.12	.81	3.25	34.25	24.25	7.50	3.25	4.25	5.00
449T	21.00	11.00	9.00	1.12	.81	3.25	34.25	24.25	7.50	3.25	4.25	5.00
449TS	21.00	11.00	9.00	1.12	.81	3.25	34.25	24.25	7.50	3.25	4.25	5.00

FRAME	C	BS	B	ZF	N	N-W	U(3)	V	LGTH	KEY	SO. WT. (LBS)
445T	39.56	8.25	19.00	16.50	8.94	8.50	3.375	8.25	6.88	875	1410
445TS	35.81	8.25	19.00	16.50	8.19	4.75	3.375	8.25	6.88	875	1410
447T	43.06	10.00	22.50	20.00	8.94	8.50	3.375	8.25	6.88	875	1730
447TS	39.31	10.00	22.50	20.00	8.19	4.75	3.375	8.25	6.88	875	1730
449T	48.06	12.50	27.50	25.00	8.94	8.50	3.375	8.25	6.88	875	2100
449TS	44.31	12.50	27.50	25.00	8.19	4.75	3.375	8.25	6.88	875	2100

FRAME	AA	AB	AC	AF	PROT	AE
445T	4"	24.63	18.63	7.00	12.00	11.00
445TS	4"	24.63	18.63	7.00	12.00	11.00
447T	4"	24.63	18.63	7.00	12.00	11.00
447TS	4"	24.63	18.63	7.00	12.00	11.00
449T	4"	24.63	18.63	7.00	12.00	11.00
449TS	4"	24.63	18.63	7.00	12.00	11.00

- (1) SPECIAL DIMENSIONS ON THIS LINE
 (2) "D" VARIES +.00, -.06
 (3) "U" & "U" VARY +.000, -.001
 (4) 445 FRAME HAS ONE EYEBOLT
- CONDUIT BOX LOCATED ON OPPOSITE SIDE WHEN F-2, W-1, W-4, W-5, W-7, OR C-1 MOUNTING IS SPECIFIED. STANDARD DOUBLE SHAFT SUPPLIED ONLY WHEN SPECIFIED. IF MOUNTING CLEARANCE DETAILS ARE REQUIRED CONSULT FACTORY. MAXIMUM PERMISSIBLE SHAFT RINOUT WHEN MEASURED AT END OF STANDARD SHAFT EXTENSION IS .003 T.I.R.

FRAME _____ TYPE _____ CERTIFIED FOR _____
 ORDER _____ ITEM _____ HP _____ RPM _____ PH _____ HZ _____ VOLTS _____
 SALES ORDER _____ APPROVED BY _____ DATE _____

08C-666409

CUSTOMER IS RESPONSIBLE FOR DETERMINING THAT BALDOR'S PRODUCT WILL PERFORM SUITABLY IN THE INTENDED APPLICATION.

REV. DESC: CHANGING TO CORRECT TITLE	VERSION: 02	TDR: 000000752338	BALDOR
REV. LTR: B	FILE: \RAG\00012\166	REVISED: 01:05:26 06/27/2012	
MTL: -	BY: RAGRA	DIM SHEET PROT 445T-449TS ABV/NEMA - SPCL C/BOX - 14X14X12	

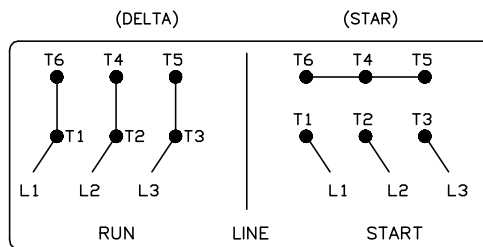
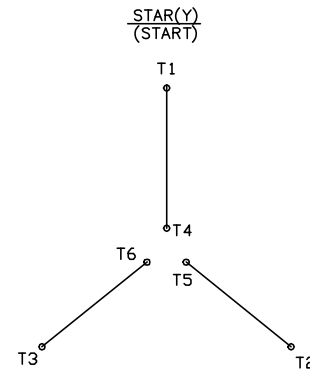
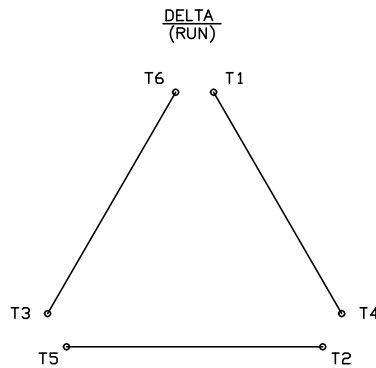
SH 1 of 1

416820-008

A-C MOTOR CONNECTION DIAGRAM

STANDARD 6 LEAD

Y START – DELTA RUN



< N. P. 1767-DC >

REV. DESC: ADDED T4 TO Y CONNECT DIAGRAM		
REV. LTR: D	VERSION: 04	TDR: 00000847713
FILE: \RAG\00001\808	REVISED: 10: 41: 26 04/08/2014	BY: RAGJSS1
MTL: -	© □	

BALDOR

CONNECT DIAGRAM STD 6 LEAD Y START DELTA RUN

SH 1 of 1

416820-008